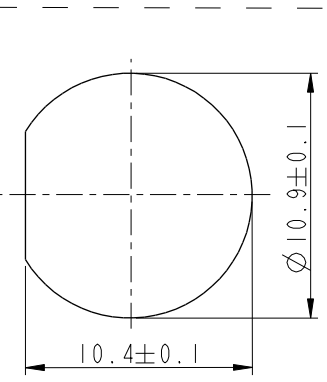
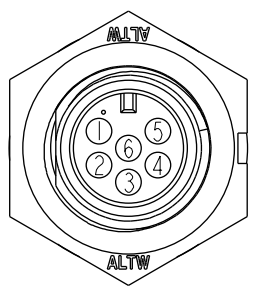
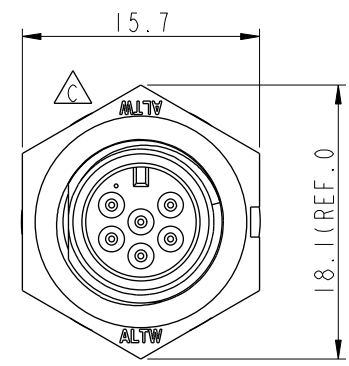
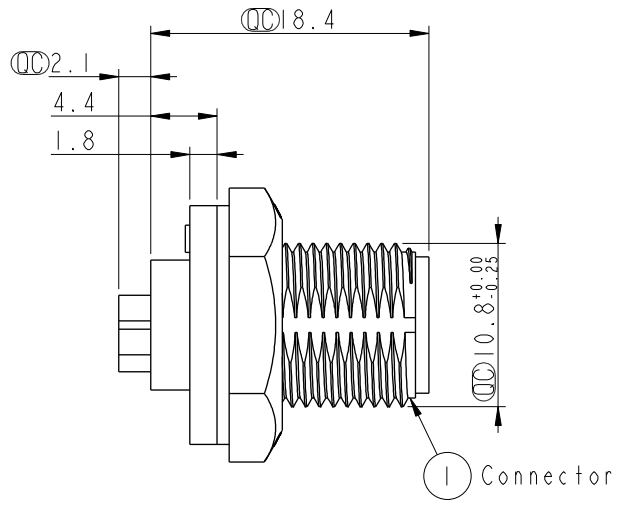
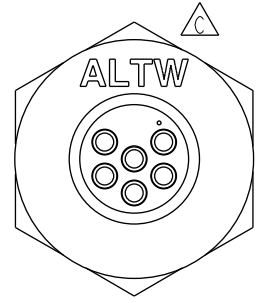


THIS DOCUMENT IS SUBJECT TO CHANGE WITHOUT NOTICE. IT IS CONFIDENTIAL AND A PROPERTY OF AMPHENOL LTW. DISCLOSURE TO THIRD PARTY HAS TO BE AUTHORIZED BY AMPHENOL LTW.

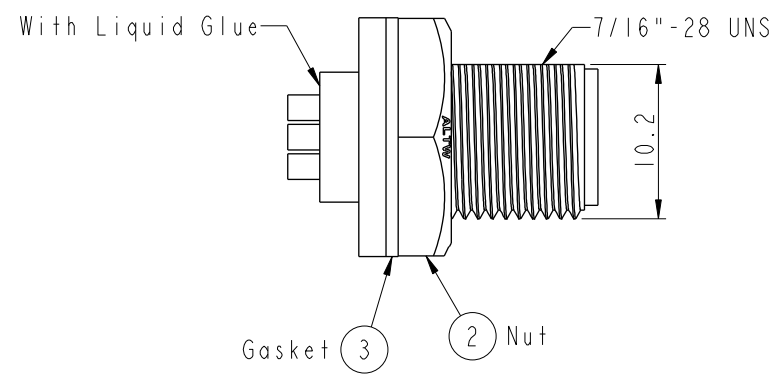
REV.	ECN NO.	DATE	SIGN	DESCRIPTION
B	LEN-8A0120	2008/09/15	Shin	Add Notes
C	LEN1741245	2017/04/18	Ruru	Change Logo



Recommended Panel Cut-Out



Pin Assignments Front View



Note:

- \*  $\varnothing$  Important Dimension.
- \* Waterproof Rate: IP67
- \* Housing: Black, Nylon+GF
- \* Pin: Copper Alloy, Gold Plated
- \* Nut: Black, Nylon+GF
- \* Gasket: Black, EPDM

$\triangle B$ \* Use with waterproof cap or dust cap  
Panel Thickness max: 4.0mm

$\triangle B$ \* Use without waterproof cap or dust cap  
Panel Thickness max: 5.0mm

UNIT: mm	
TOLERANCE	
.X	±0.25
.XX	±0.1
.XXX	±0.05
ANGLES	±1°

TITLE Mini Panel Screw 6Pin M Conn M Pin			
SCALE 2:1	SIZE A4	SHEET 1 OF 1	
REV. C	WC-REV. A.1	$\varnothing$ : Inspection item	

**Amphenol LTW**  
安費諾亮泰企業股份有限公司

ITEM NO. AU-06PMMS-SC7001	DRAWN BY Ruru	DATE 2017-04-18
DWG NO. AU-06PMMS-SC7001	CHECKED BY Rita	DATE 2017-04-18
CUSTOMER ALTW	APPROVED BY Max	DATE 2017-04-18