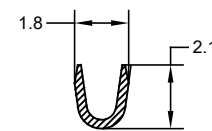
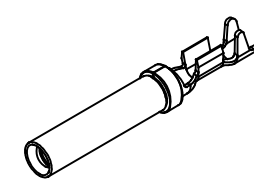
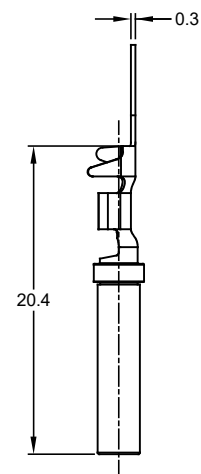
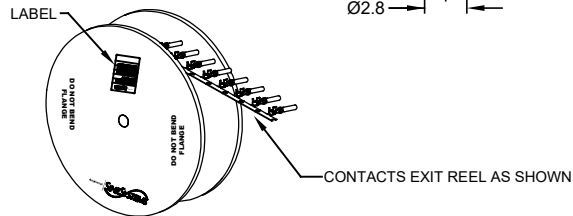
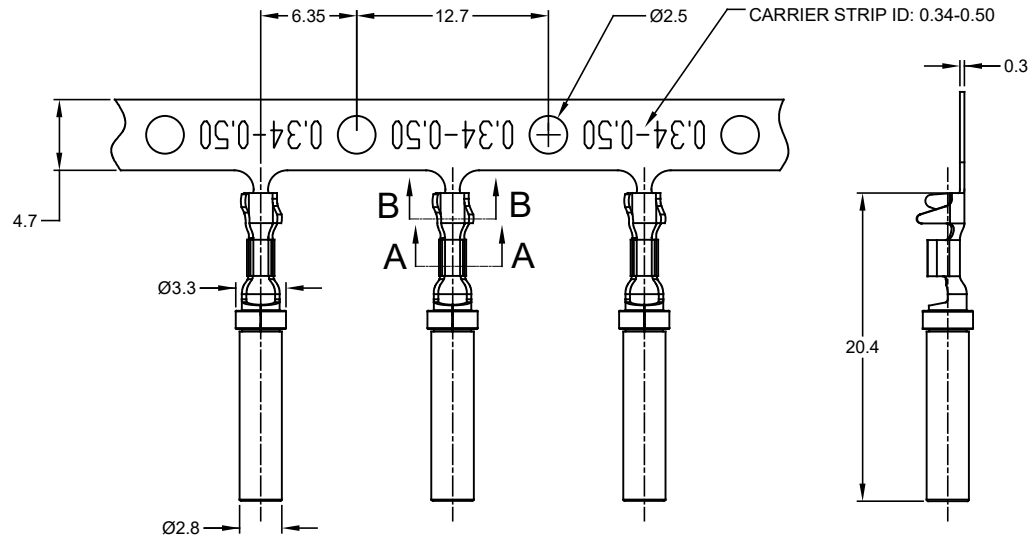
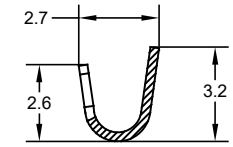


| REVISIONS | | | | | |
|-----------|-----|-----------------------------------|-----------|-----|------|
| REV | ECO | DESCRIPTION | DATE | BY | APPR |
| A1 | - | RELEASE | 30MAR2017 | JAH | - |
| A2 | - | UPDATED HOOD GEOMETRY & REEL DIR. | 26AUG2020 | JAH | - |



SECTION A-A



SECTION B-B

NOTES: UNLESS OTHERWISE SPECIFIED

1. MATERIAL: COPPER ALLOY
2. PLATING: SEE PART NUMBER CHART
3. CONTACT SIZE: 16
4. SPECIFICATIONS:
 - 4.1 CURRENT RATING: 13 AMPS
 - 4.2 CONTACT MILLIVOLT DROP: 100 MILLIVOLT DROP @ 13 AMP TEST CURRENT.
 - 4.3 RoHS COMPLIANT
5. RECOMMENDED WIRE RANGE: 20-22 AWG.
6. ALL DIMENSIONS ARE FOR REFERENCE USE ONLY

| PART NUMBER CHART | |
|-------------------|--------------|
| PLATING | PART NUMBERS |
| NICKEL | AT62-16-0822 |
| GOLD | AT62-16-0844 |

| | | | | |
|---|----------------|--|----------|-----------|
| SEE CHART | | DESCRIPTION | | ITEM |
| PART NUMBER | | | | |
| QUANTITY | MATERIALS LIST | | | |
| UNLESS OTHERWISE SPECIFIED: 1) All dimensions are in metric (mm). 2) Tolerances are as follows: 1 PL DEC ±0.30 2 PL DEC ±0.15 3 PL DEC ±0.08 3) Note reference = Δ | | SIGNATURES | | DATE |
| MATERIAL SPECIFICATIONS: | | DRAWN: J. HEAD | | 30MAR2017 |
| PROCESS SPECIFICATIONS: | | CHECKED: | | |
| NEXT ASSY: | | ENGINEER: | | |
| | | APPROVAL: | | |
| | | CUSTOMER: | | |
| | | THIS DRAWING IS SUPPLIED FOR INFORMATION ONLY. DESIGN FEATURES, SPECIFICATIONS AND PERFORMANCE DATA SHOWN HEREON ARE THE PROPERTY OF THE AMPHENOL CORPORATION. NO RIGHTS OF REPRODUCTION ARE IMPLIED. ALL DIMENSIONS ARE SUBJECT TO NORMAL MANUFACTURING VARIATIONS. | | |
| | | Sine Systems - www.amphenol-sine.com 44724 Morley Drive Clinton Township, MI 48036 | | |
| | | CONTACT, SOCKET, STAMPED, SIZE 16, 20-22 AWG, AT & AHD-9 SERIES | | |
| SIZE | TYPE | DWG NO: | REVISION | |
| B | C- | AT62-16-08XX | A2 | |
| SCALE | NONE | | SHEET | 1 OF 1 |

TITLE: CONTACT, STAMPED, SIZE 16, 20-22 AWG, AT & AHD-9 SERIES
DWG NO.: AT62-16-08XX
REV: A2
SH: 1
OF: 1