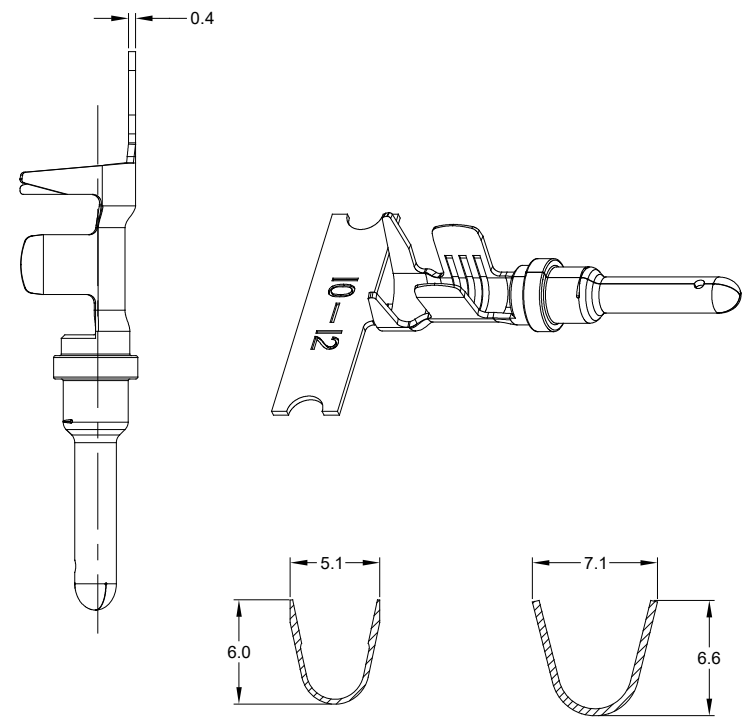


REVISIONS					
REV	ECO	DESCRIPTION	DATE	BY	APPR
A1	--	RELEASE NEW DWG FORMAT	12/JUN/15	ORION	-
A2	C1070S	UPDATE DRAWING	24/JUN/19	JOE	TOMMY



SECTION A-A

SECTION B-B

NOTES: UNLESS OTHERWISE SPECIFIED

- MATERIAL: COPPER ALLOY
- PLATING: SEE PART NUMBER CHART
*FOR GOLD PLATED CONTACTS: SELECTIVE GOLD FLASH IN CONTACT ZONE OR ENTIRE CONTACT.
- CONTACT SIZE: 12
- SPECIFICATIONS:
 - CURRENT RATING: 25 AMPS
 - CONTACT MILLIVOLT DROP: 100 MILLIVOLT DROP @ 25 AMP TEST CURRENT.
 - RoHS COMPLIANT
- RECOMMENDED WIRE RANGE: 10 - 12 AWG
- PACKAGE: 2000 PCS/REEL
- ALL DIMENSIONS ARE FOR REFERENCE USE ONLY

PART NUMBER CHART	
PLATING	PART NUMBER
NICKEL	AT60-12-0222
GOLD	AT60-12-0244

SEE PART NUMBER CHART		REF: 1000-12-0222, 1000-12-0244	
PART NUMBER		DESCRIPTION	
QUANTITY	MATERIALS LIST		
UNLESS OTHERWISE SPECIFIED: 1) All dimensions are in metric (mm). 2) Tolerances are as follows: 1 PL DEC ±0.30 2 PL DEC ±0.15 3 PL DEC ±0.08	SIGNATURES	DATE	<p>Amphenol</p> <p>Sine Systems - www.amphenol-sine.com 44724 Morley Drive Clinton Township, MI 48036</p> <p>CONTACT, PIN, STAMPED, SIZE 12, 10-12 AWG, A SERIES</p>
3) Note reference = \triangle	DRAWN: JOE SONG	24/JUN/19	
	CHECKED: ORION LI	24/JUN/19	
	APPROVAL: TOMMY XIE	24/JUN/19	
MATERIAL SPECIFICATIONS:	CUSTOMER:		
PROCESS SPECIFICATIONS:	THIS DRAWING IS SUPPLIED FOR INFORMATION ONLY. DESIGN FEATURES, SPECIFICATIONS AND PERFORMANCE DATA SHOWN HEREON ARE THE PROPERTY OF THE AMPHENOL CORPORATION. NO RIGHTS OF REPRODUCTION ARE IMPLIED. ALL DIMENSIONS ARE SUBJECT TO NORMAL MANUFACTURING VARIATIONS.		
NEXT ASSY:	SIZE: B C-	TYPE: AT60-12-02XX	REVISION: A2
	SCALE: NONE	DWG NO:	SHEET 1 OF 1

TITLE: PIN, STAMPED, SIZE 12, 10-12 AWG, A SERIES
DWG NO: AT60-12-02XX
REV: A2
SH: 1
OF: 1