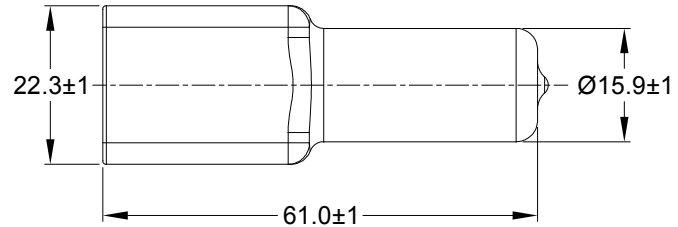
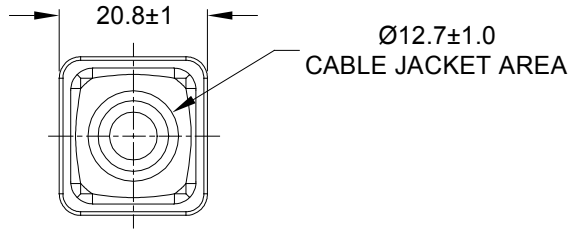
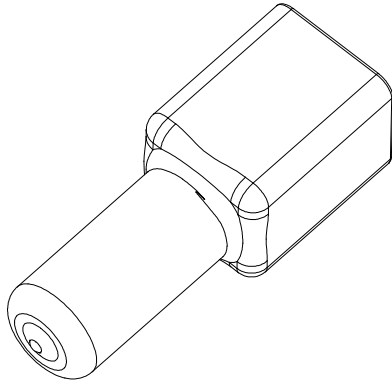


REVISIONS					
REV	ECO	DESCRIPTION	DATE	BY	APPR
A1	-	RELEASE NUMBER	28AUG19	BROOK	TOMMY



PART NUMBER CHART	
COLOR	PART NUMBER
GREY	AT6P-BT
BLACK	AT6P-BT-BK
YELLOW	AT6P-BT-YW

NOTES: UNLESS OTHERWISE SPECIFIED

- THIS PART IS USED ON AT04-6P RECEPTACLE ANY MODIFICATION DOES NOT INCLUDE AN END CAP.
- TEMPERATURE RATING : -29°C TO +100°C [-20°F TO +212°F]
- ALL DIMENSIONS ARE FOR REFERENCE USE ONLY.

SEE PART NUMBER CHART		REF: DT6P-BT, DT6P-BT-BK, DT6P-BT-YW									
PART NUMBER		DESCRIPTION									
QUANTITY	MATERIALS LIST			ITEM							
UNLESS OTHERWISE SPECIFIED 1) All dimensions are in metric(mm). 2) Tolerances are as follows: 1 PL DEC ±0.30 Fractions ±1/64 2 PL DEC ±0.15 Angles ±1° 3 PL DEC ±0.08 3) Note reference =		SIGNATURES DATE DRAWN: BROOK.DING 28AUG19 CHECKED: ORION.LI 28AUG19 ENGINEER: APPROVAL: TOMMY.XIE 28AUG19 CUSTOMER:		<h1 style="text-align: center;">Amphenol</h1> <p style="text-align: center;">Sine Systems - www.amphenol-sine.com 44724 Morley Drive Clinton Township, MI 48036</p>							
MATERIAL SPECIFICATIONS: <p style="text-align: center;">PVC</p>		THIS DRAWING IS SUPPLIED FOR INFORMATION ONLY. DESIGN FEATURES, SPECIFICATIONS AND PERFORMANCE DATA SHOWN HEREON ARE THE PROPERTY OF THE AMPHENOL CORPORATION. NO RIGHTS OF REPRODUCTION ARE IMPLIED. ALL DIMENSIONS ARE SUBJECT TO NORMAL MANUFACTURING VARIATIONS.									
PROCESS SPECIFICATIONS:		<table border="1"> <tr> <th>SIZE</th> <th>TYPE</th> <th>DWG NO:</th> <th>REVISION</th> </tr> <tr> <td>A</td> <td>C-</td> <td>AT6P-BT-XX</td> <td>A1</td> </tr> </table>		SIZE	TYPE	DWG NO:	REVISION	A	C-	AT6P-BT-XX	A1
SIZE	TYPE	DWG NO:	REVISION								
A	C-	AT6P-BT-XX	A1								
NEXT ASSY:		SCALE: NONE SHEET 1 OF 1									