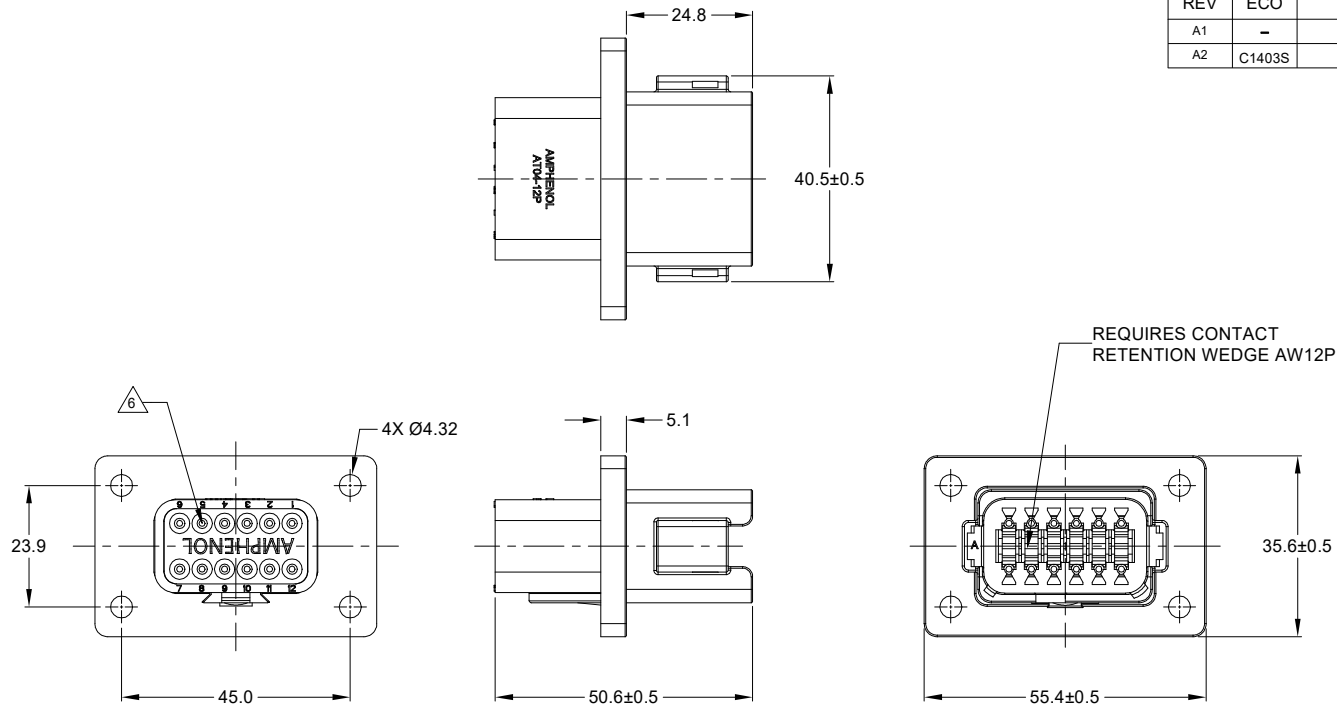


REVISIONS					
REV	ECO	DESCRIPTION	DATE	BY	APPR
A1	-	RELEASE NUMBER	30/NOV/18	ROOKIE	TOMMY
A2	C1403S	UPDATE THE APPEARANCE	16/NOV/21	LOUIE	TOMMY



NOTES: UNLESS OTHERWISE SPECIFIED

1. SEE SHEET 2 FOR KEY ARRANGEMENTS AND COLORS.

2. MATERIAL:  
HOUSING: THERMOPLASTIC  
SEAL: SILICONE RUBBER

3. MODIFICATIONS: FLANGE

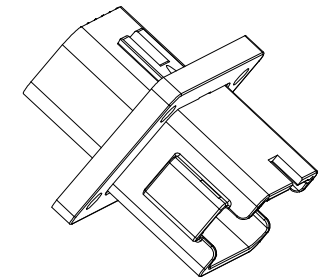
4. SPECIFICATIONS:  
4.1 CURRENT RATING: 13 AMPS  
4.2 OPERATING TEMPERATURE: -55°C TO +125°C.  
4.3 DIELECTRIC WITHSTANDING VOLTAGE: LESS THAN 2 MILLIAMPS CURRENT LEAKAGE @ 1500 VOLTS AC.  
4.4 INSULATION RESISTANCE: 1000 MEGOHMS MIN @ 25°C.  
4.5 MOISTURE RESISTANCE: IP69K&IP68 ( 1M OF WATER FOR A PERIOD OF 24 HOURS, MATED CONDITION )  
4.6 MATING CYCLE DURABILITY: 100 CYCLES  
4.7 RoHS COMPLIANT

5. MATING PART: AT06-12SX\* PLUG.  
( X=A,B,C,D KEYS, \* = MODIFICATIONS AND COLORS )

6. ALL DIMENSIONS ARE FOR REFERENCE USE ONLY.

7. CONTACT SIZE AND REAR SEAL WIRE RANGE:

CONTACT SIZE	MIN. INSUL O.D.	MAX. INSUL O.D.	TYPICAL WIRE RANGE
16	2.24 mm (.088 in)	3.68 mm (.145 in)	14 - 20 AWG

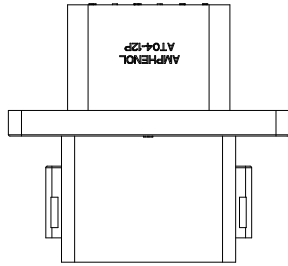


SEE SHEET 2		REF: DT04-12PA-BL04, DT04-12PB-BL04, DT04-12PC-BL04, DT04-12PD-BL04		
PART NUMBER		DESCRIPTION		
QUANTITY	MATERIALS LIST			
UNLESS OTHERWISE SPECIFIED		SIGNATURES		DATE
1) All dimensions are in metric(mm).		DRAWN:	LOUIE	16/NOV/21
2) Tolerances are as follows:		CHECKED:	ORION	17/NOV/21
1 PL DEC ±0.30		ENGINEER:		
2 PL DEC ±0.15		APPROVAL:	TOMMY	18/NOV/21
3 PL DEC ±0.08		CUSTOMER:		
3) Note reference =		THIS DRAWING IS SUPPLIED FOR INFORMATION ONLY. DESIGN FEATURES, SPECIFICATIONS AND PERFORMANCE DATA SHOWN HEREON ARE THE PROPERTY OF THE AMPHENOL CORPORATION. NO RIGHTS OF REPRODUCTION ARE IMPLIED. ALL DIMENSIONS ARE SUBJECT TO NORMAL MANUFACTURING VARIATIONS.		
MATERIAL SPECIFICATIONS:		WEIGHT: 27.1g		
PROCESS SPECIFICATIONS:		NEXT ASSY:		
NEXT ASSY:		SCALE: NONE		
ITEM		SINE SYSTEMS - www.amphenol-sine.com 44724 Morley Drive Clinton Township, MI 48036		
ITEM		12P RECEPTACLE, FLANGE MOUNT, ENHANCE KEY		
ITEM		SIZE	TYPE	DWG NO.
ITEM		B C-		AT04-12PX-BL04
ITEM		SCALE: NONE		REVISION A2
ITEM		SHEET 1 OF 3		

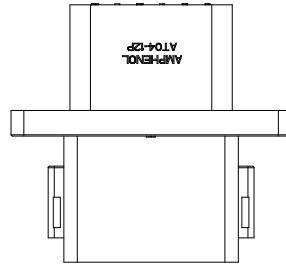
TITLE: 12P RECEPTACLE, FLANGE MOUNT, ENHANCE KEY  
DWG NO.: AT04-12PX-BL04  
REV: A2  
SH: 1  
OF: 3

REVISIONS					
REV	ECO	DESCRIPTION	DATE	BY	APPR
A1	-	RELEASE NUMBER	30/NOV/18	ROOKIE	TOMMY
A2	C1403S	UPDATE THE APPEARANCE	16/NOV/21	LOUIE	TOMMY

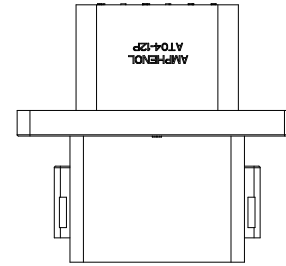
KEY A CONFIGURATION  
STANDARD COLOR:GREY



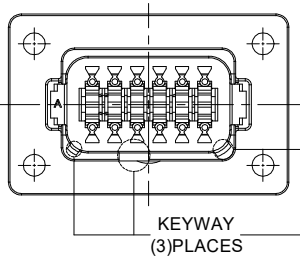
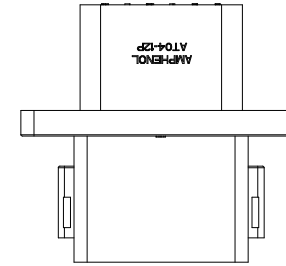
KEY B CONFIGURATION  
STANDARD COLOR:BLACK



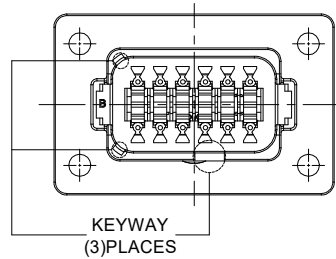
KEY C CONFIGURATION  
STANDARD COLOR:GREEN



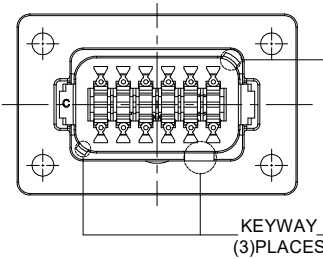
KEY D CONFIGURATION  
STANDARD COLOR:BROWN



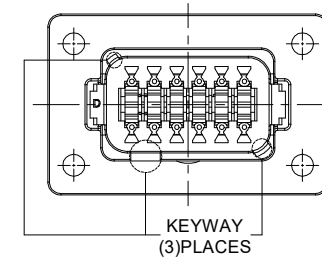
KEYWAY  
(3)PLACES



KEYWAY  
(3)PLACES



KEYWAY  
(3)PLACES



KEYWAY  
(3)PLACES

KEY-A CONFIGURATION	
COLOR	PART NUMBER
GREY	AT04-12PA-BL04

KEY-B CONFIGURATION	
COLOR	PART NUMBER
BLACK	AT04-12PB-BL04

KEY-C CONFIGURATION	
COLOR	PART NUMBER
GREEN	AT04-12PC-BL04

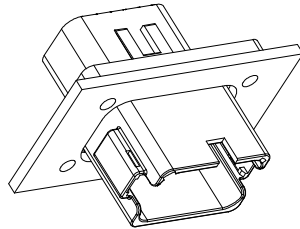
KEY-D CONFIGURATION	
COLOR	PART NUMBER
BROWN	AT04-12PD-BL04

QUANTITY	SEE SHEET 2	DESCRIPTION	ITEM
PART NUMBER			
<b>MATERIALS LIST</b>			
<b>UNLESS OTHERWISE SPECIFIED</b> 1) All dimensions are in metric(mm). 2) Tolerances are as follows: 1 PL DEC ±0.30 2 PL DEC ±0.15 3 PL DEC ±0.08 Fractions ±1/64 Angles ±1° 3) Note reference =		<b>SIGNATURES</b> <b>DATE</b> DRAWN: LOUIE    16/NOV/21 CHECKED: ORION    17/NOV/21 ENGINEER: APPROVAL: TOMMY    18/NOV/21 CUSTOMER:	
MATERIAL SPECIFICATIONS:		<div style="text-align: center;">             Sine Systems - www.amphenol-sine.com            44724 Morley Drive            Clinton Township, MI 48036         </div>	
WEIGHT:27.1g			
PROCESS SPECIFICATIONS:		THIS DRAWING IS SUPPLIED FOR INFORMATION ONLY. DESIGN FEATURES, SPECIFICATIONS AND PERFORMANCE DATA SHOWN HEREON ARE THE PROPERTY OF THE AMPHENOL CORPORATION. NO RIGHTS OF REPRODUCTION ARE IMPLIED. ALL DIMENSIONS ARE SUBJECT TO NORMAL MANUFACTURING VARIATIONS.	
NEXT ASSY:		12P RECEPTACLE, FLANGE MOUNT, ENHANCE KEY SIZE: <b>B C-</b> TYPE:    DWG NO: <b>AT04-12PX-BL04</b> REVISION: <b>A2</b> SCALE: <b>NONE</b> SHEET 2 OF 3	

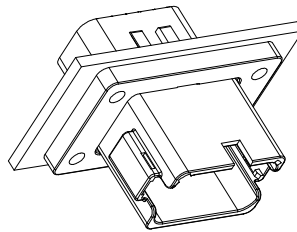
TITLE: 12P RECEPTACLE, FLANGE MOUNT, ENHANCE KEY  
 DWG NO.: AT04-12PX-BL04  
 REV: A2  
 SH: 2  
 OF: 3

REVISIONS					
REV	ECO	DESCRIPTION	DATE	BY	APPR
A1	-	RELEASE NUMBER	30/NOV/18	ROOKIE	TOMMY
A2	C1403S	UPDATE THE APPEARANCE	16/NOV/21	LOUIE	TOMMY

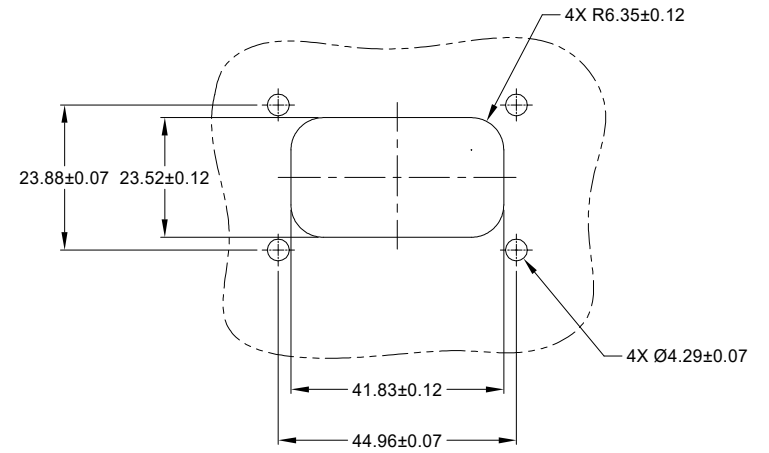
FOR REFERENCE ONLY



FRONT MOUNT



REAR MOUNT



RECOMMENDED CUTOUT  
FRONT AND REAR MOUNT

SEE SHEET 2		DESCRIPTION		ITEM
QUANTITY	PART NUMBER	MATERIALS LIST		
<p><b>UNLESS OTHERWISE SPECIFIED</b></p> <p>1) All dimensions are in metric(mm).</p> <p>2) Tolerances are as follows:</p> <p>1 PL DEC ±0.30 Fractions ±1/64</p> <p>2 PL DEC ±0.15 Angles ±1°</p> <p>3 PL DEC ±0.08</p> <p>3) Note reference = </p>				
MATERIAL SPECIFICATIONS:		<p><b>SIGNATURES</b>      <b>DATE</b></p> <p>DRAWN: LOUIE      16/NOV/21</p> <p>CHECKED: ORION      17/NOV/21</p> <p>ENGINEER:</p> <p>APPROVAL: TOMMY      18/NOV/21</p> <p>CUSTOMER:</p>		
WEIGHT: 27.1g		<p><b>Amphenol</b></p> <p>Sine Systems - www.amphenol-sine.com 44724 Morley Drive Clinton Township, MI 48036</p>		
PROCESS SPECIFICATIONS:		<p>THIS DRAWING IS SUPPLIED FOR INFORMATION ONLY. DESIGN FEATURES, SPECIFICATIONS AND PERFORMANCE DATA SHOWN HEREON ARE THE PROPERTY OF THE AMPHENOL CORPORATION. NO RIGHTS OF REPRODUCTION ARE IMPLIED. ALL DIMENSIONS ARE SUBJECT TO NORMAL MANUFACTURING VARIATIONS.</p>		
NEXT ASSY:		<p>12P RECEPTACLE, FLANGE MOUNT, ENHANCE KEY</p>		
		<p>SIZE: <b>B C-</b></p> <p>SCALE: NONE</p>	<p>DWG NO: <b>AT04-12PX-BL04</b></p>	<p>REVISION: <b>A2</b></p> <p>SHEET 3 OF 3</p>

TITLE: 12P RECEPTACLE, FLANGE MOUNT, ENHANCE KEY  
DWG NO: AT04-12PX-BL04  
REV: A2  
SH: 3  
OF: 3