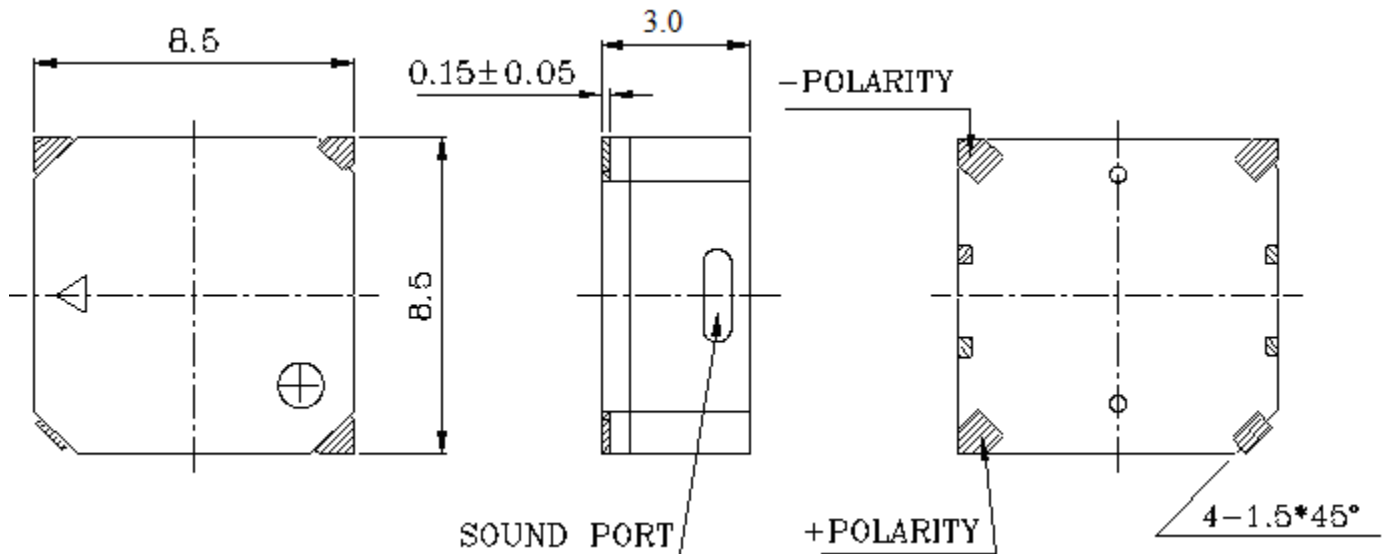


Sales Outline DrawingRevision **A****Specifications:**

Oscillation Frequency (Hz)	2731
Operating Voltage (Vp-p)	2 ~ 4
Rated Voltage (Vp-p)	3
Current Consumption Max. (mA)	80 at Rated Voltage
Sound Pressure Level (dB/min)	85 at 10cm at Rated Voltage
Coil Resistance (Ω)	16 ± 3
Operating Temperature ($^{\circ}\text{C}$)	-20 ~ +70
Storage Temperature ($^{\circ}\text{C}$)	-30 ~ +80
Type of Connection Terminal	SMD
Housing	LCP plastic resin (Color : Black)
Weight (Grams)	0.8
Condition by reflow soldering ($^{\circ}\text{C}$)	250 ± 5 / within 10 sec
Condition by hand soldering ($^{\circ}\text{C}$)	350 ± 20 / within 5 sec
Options	For other options contact factory

Dimensions: (units: mm)**RoHS Compliant****Packaging:**

Parts are supplied on cut tape.