

SPECIFICATIONS

Electrical Ratings	5A @ 120 VAC, 28VDC 2A @ 250VAC
Electrical Life	30,000 cycles typical
Contact Resistance	< 20 mΩ max initial @ 2-4VDC, 100mA
Dielectric Strength	1500Vrms min
Insulation Resistance	> 100MΩ min
Operating Temperature	-40°C to 85°C
Storage Temperature	-40°C to 85°C



Process Sealed

UL US - E222871


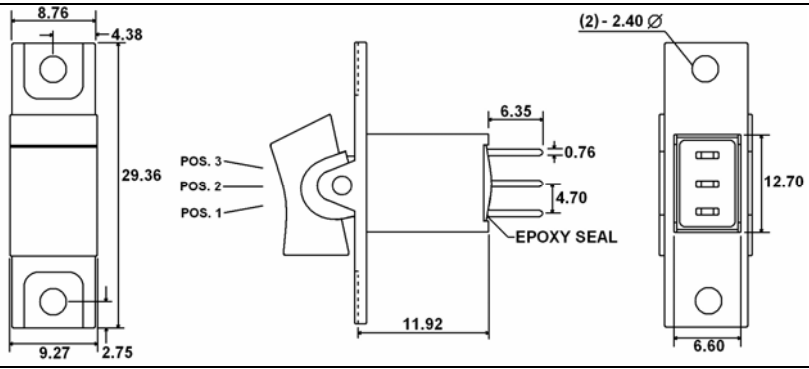

MATERIALS ←RoHS COMPLIANT


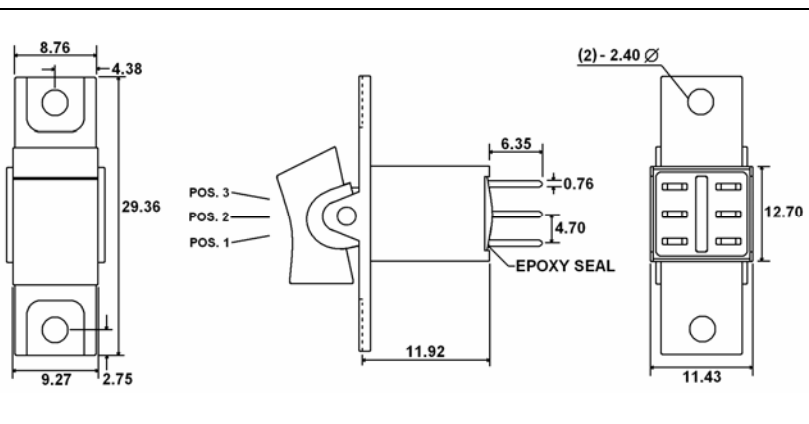
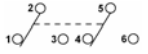
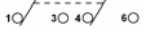
Actuator	6/6 Nylon, Glass Filled, Flame Retardant Heat Stabilized, UL94V-0
Housing	6/6 Nylon, Glass Filled, Flame Retardant Heat Stabilized, UL94V-0
Support Bracket	Brass, Tin Plated
Contacts	Copper Alloy, Silver or Gold Plated
Terminals	Copper Alloy, Silver or Gold Plated


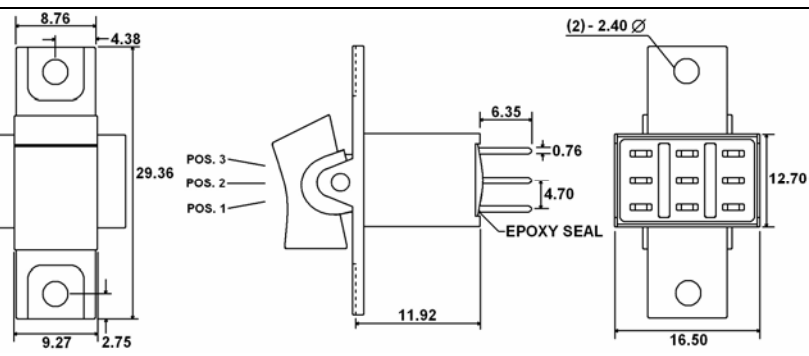
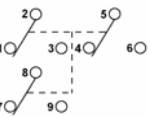
ORDERING INFORMATION

<p>1. Series: ASR 1 3 R11 2 C Q</p> <p>ASR</p> <p>2. Number of Poles: 1 = SPDT 2 = DPDT 3 = 3PDT</p> <p>3. Switch Function: 1 = ON-NONE-ON 2 = ON-NONE-(ON) 3 = ON-OFF-ON 4 = (ON)-OFF-(ON) 5 = ON-OFF-(ON) 6 = ON-ON-ON ** See Three Way Wiring Section for Details</p> <p>4. Actuator: R11P / R11 = Rocker, PC Mount / Panel Mount R21P / R21 = Rocker, PC Mount / Panel Mount P13P / P13 = Paddle, PC Mount / Panel Mount P23P / P23 = Paddle, PC Mount / Panel Mount R15P = Rocker, PC Mount P43P = Paddle, PC Mount P47P = Paddle, PC Mount P48P = Paddle, PC Mount</p> <p>5. Actuator Color: 1 = White 4 = Orange 7 = Blue 2 = Black 5 = Yellow 8 = Brown 3 = Red 6 = Green 9 = Gray</p> <p>6. Actuator Marking Style: Blank = No Marking A, B, C, D, E, F, G</p> <p>7. Actuator Marking Color: Blank = No Marking, W = White (Standard), B = Black</p> <p>8. Terminals: B = Solder Lug, C = PC Pin, D = Quick Connect H = Horizontal Mount, Right Angle PC Pin; HS = Snap-in V = Vertical Mount, Right Angle PC Pin S20 = PC Pin with Support Bracket; V20 = Snap-in Support Bracket S25 = PC Pin with Support Bracket; V25 = Snap-in Support Bracket</p> <p>9. Contacts: Q = Silver Plated R = Gold Plated G = Gold over Silver Plated</p>

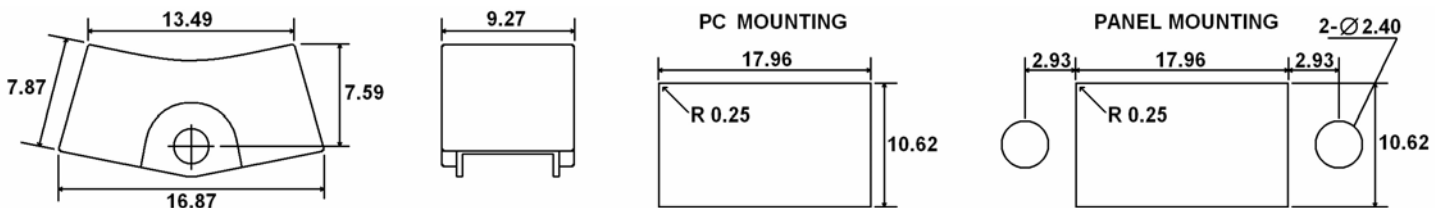
SWITCH FUNCTION

 SPDT	Function	Toggle Position				
		1	ON	NONE		ON
		2	ON	NONE		(ON)
		3	ON	OFF		ON
		4	(ON)	OFF		(ON)
	5	ON	OFF	(ON)		
	Terminals	2-3	---	2-1		

 DPDT	Function	Toggle Position				
		1	ON	NONE		ON
		2	ON	NONE		(ON)
		3	ON	OFF		ON
		4	(ON)	OFF		(ON)
	5	ON	OFF	(ON)		
	6	ON	ON	ON		
	Terminals	2-3 5-6	---	2-1 5-4		

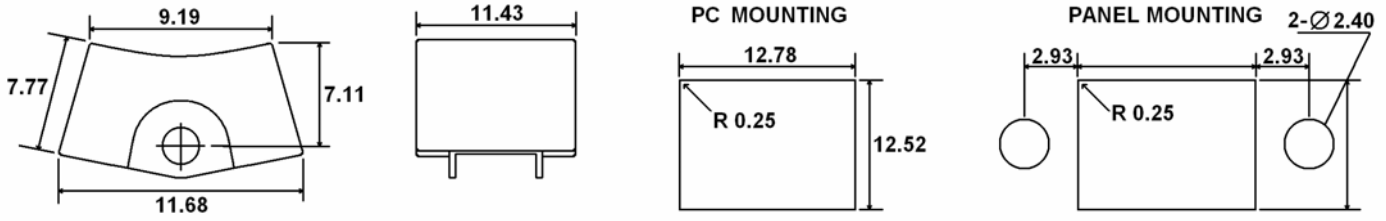
 3PDT	Function	Toggle Position				
		1	ON	NONE		ON
		2	ON	NONE		(ON)
		3	ON	OFF		ON
		4	(ON)	OFF		(ON)
	5	ON	OFF	(ON)		
	Terminals	2-3 5-6 8-9	---	2-1 5-4 8-7		

**ACTUATOR OPTIONS (PC MOUNT / PANEL MOUNT)
R11P / R11**

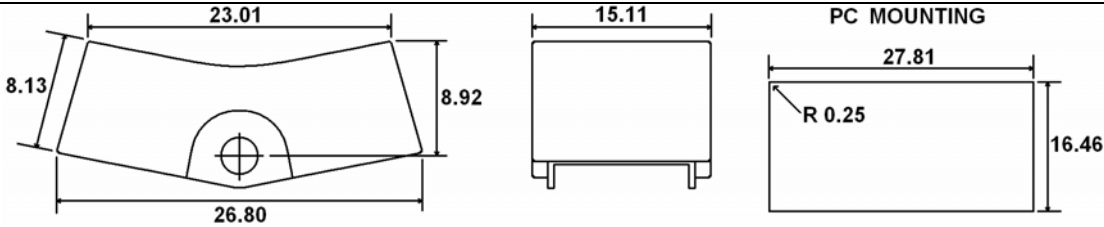


ACTUATOR OPTIONS (PC MOUNT / PANEL MOUNT)

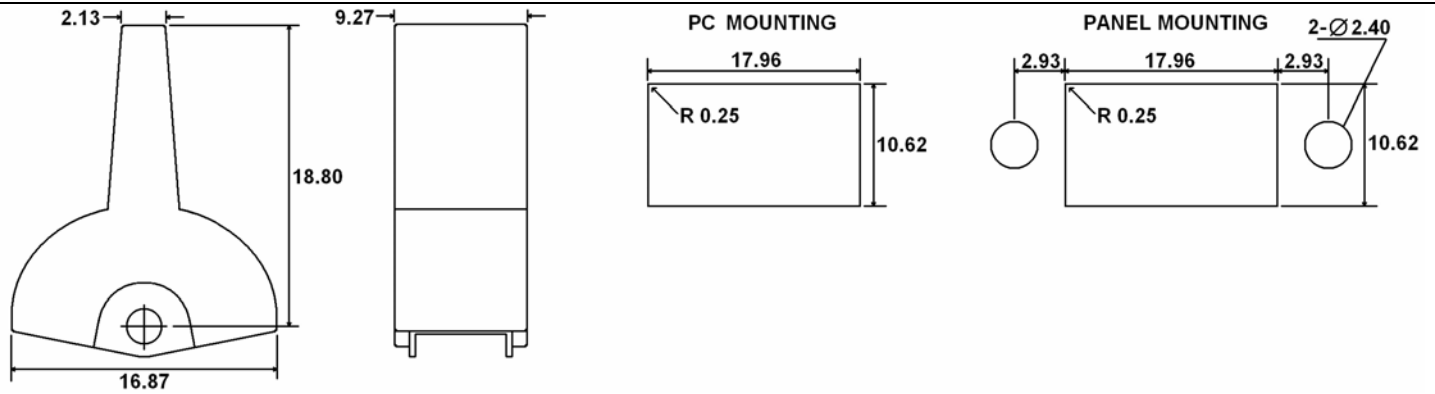
R21P / R21



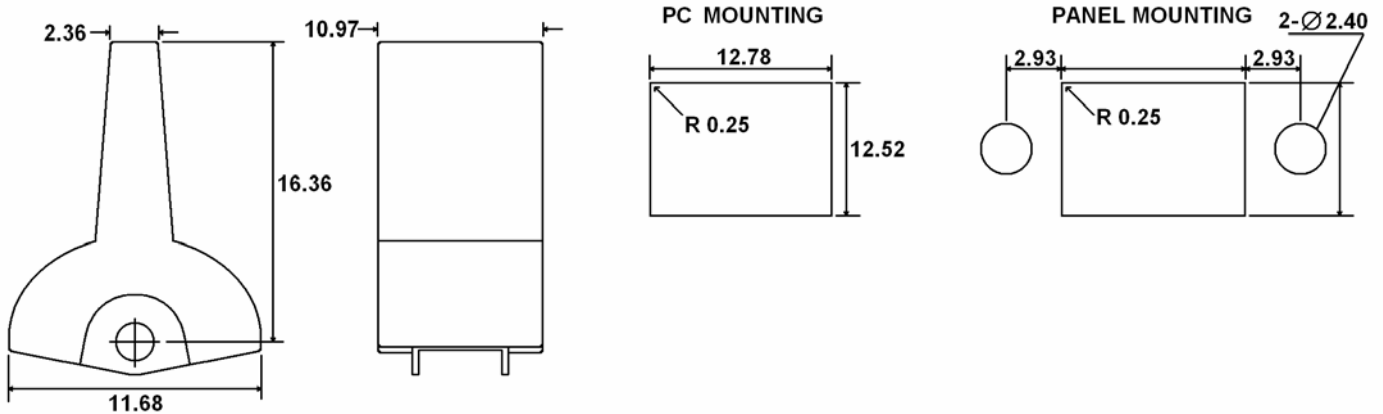
R15P



P13P / P13

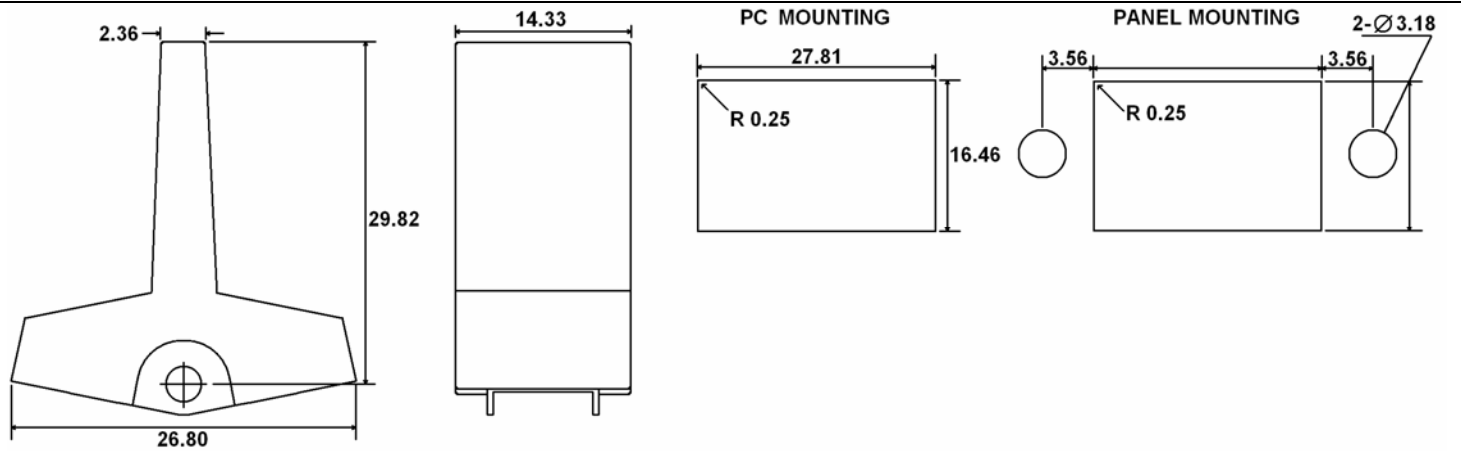


P23P / P23

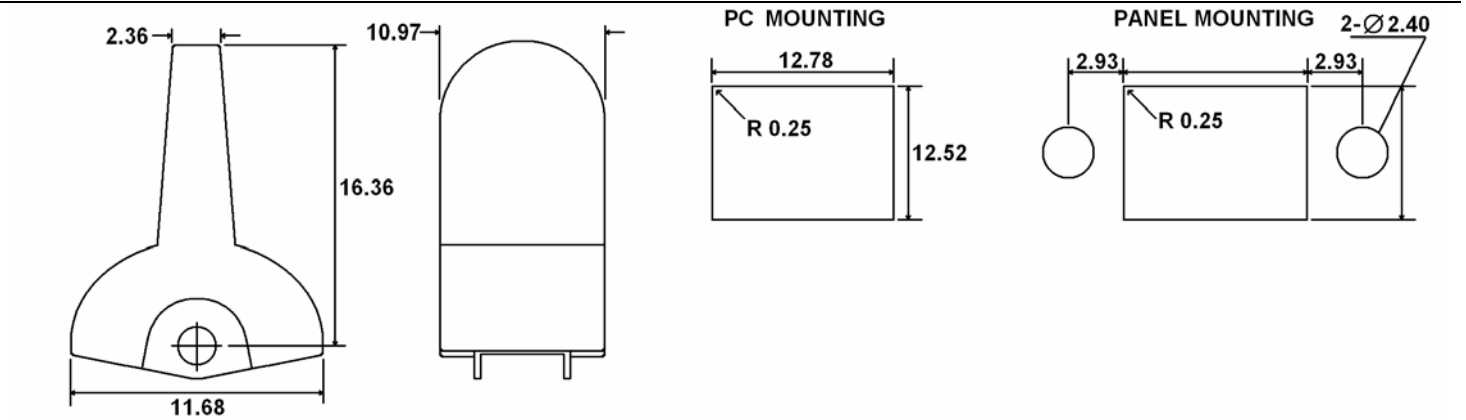


ACTUATOR OPTIONS (PANEL MOUNT / PC MOUNT)

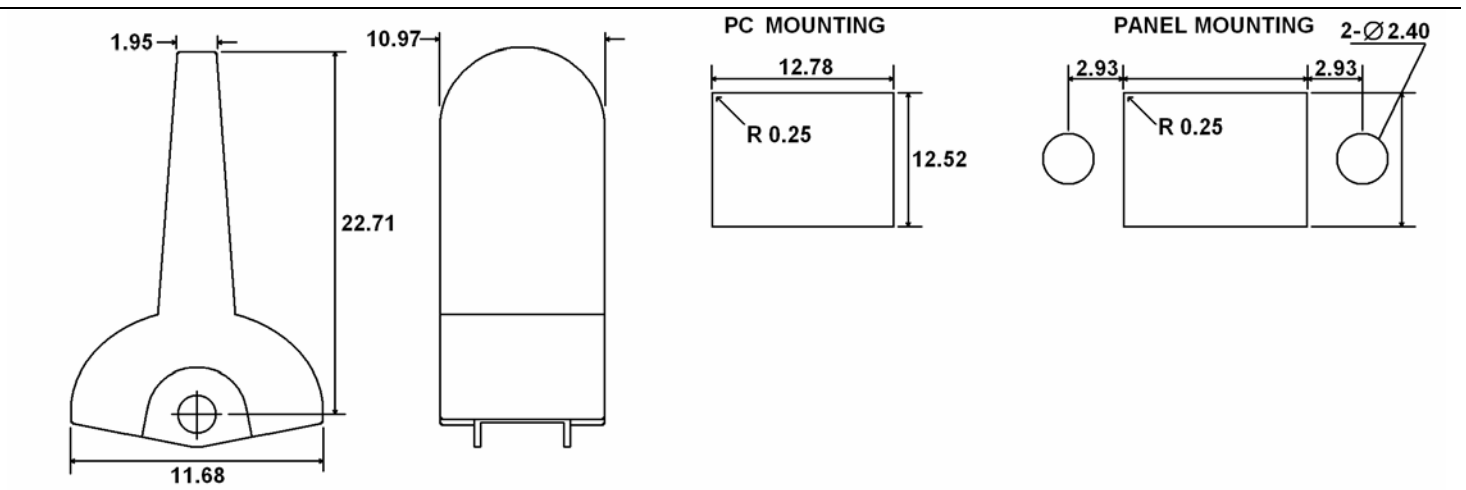
P43P



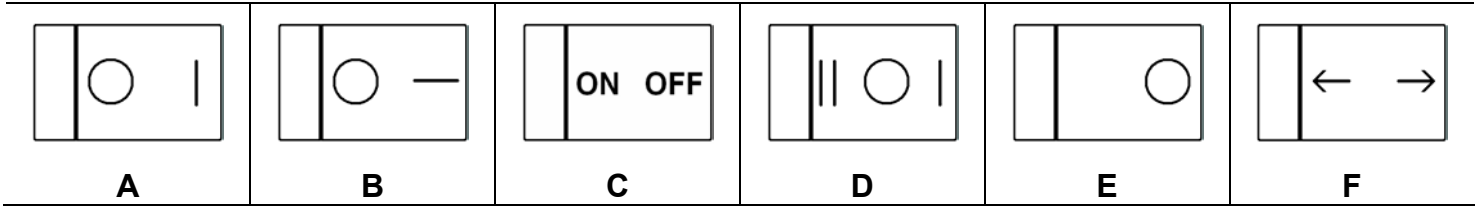
P47P



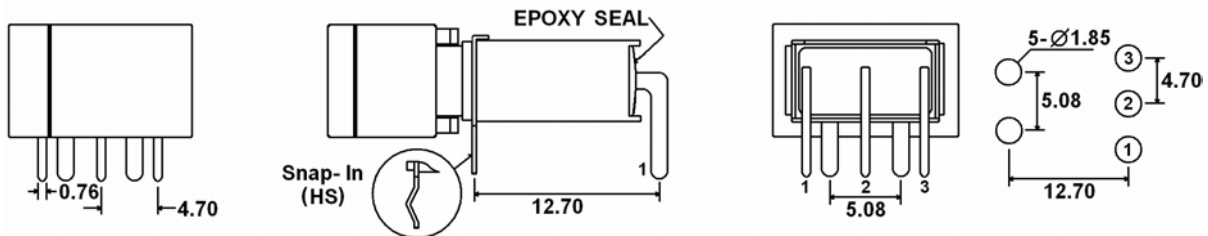
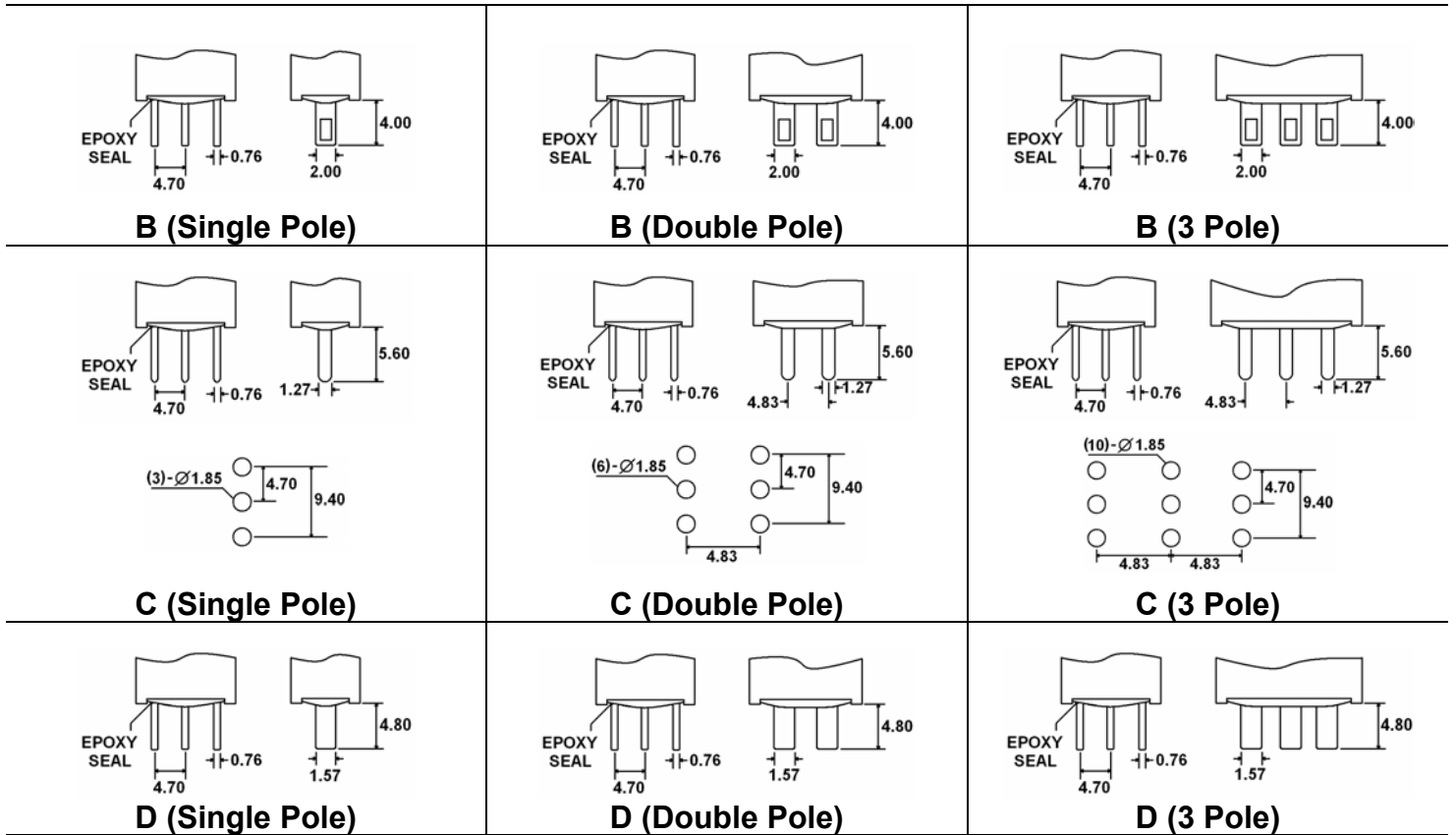
P48P



ACTUATOR MARKINGS

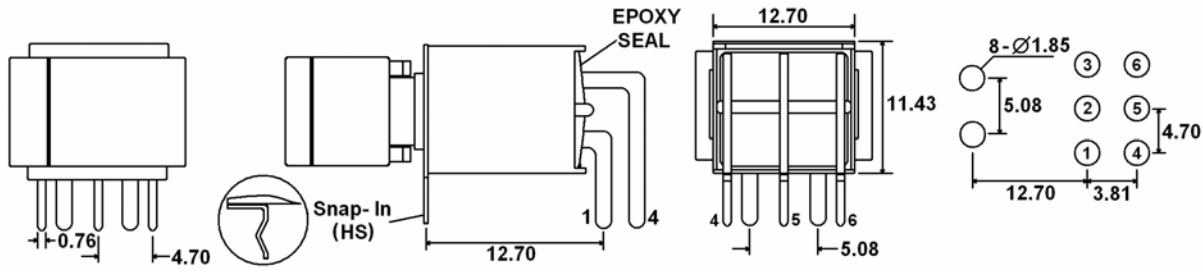


TERMINAL OPTIONS

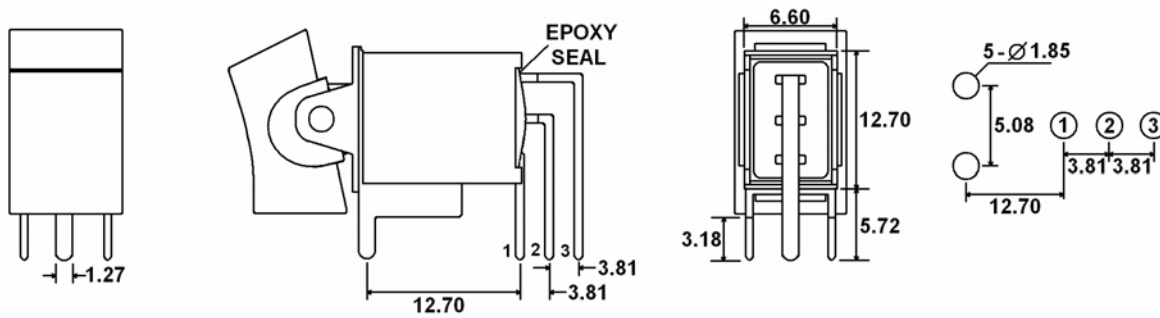


H (HS – Snap-in) = Horizontal Mount, Right Angle PC Pins (Single Pole)

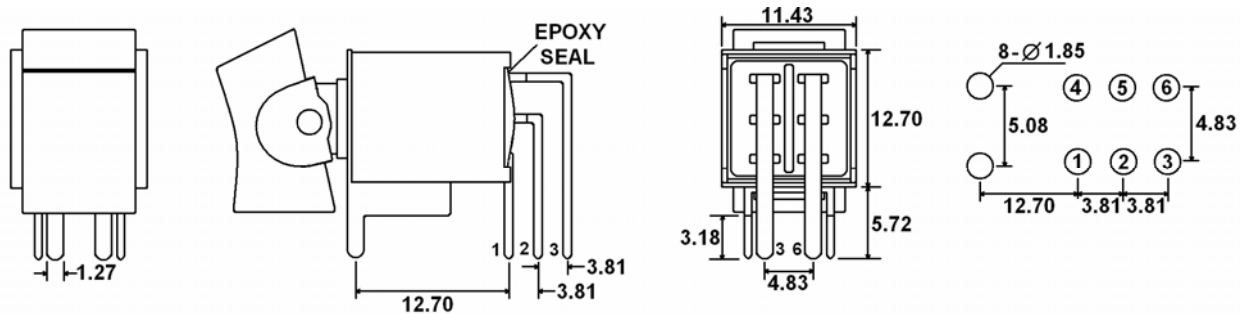
TERMINAL OPTIONS



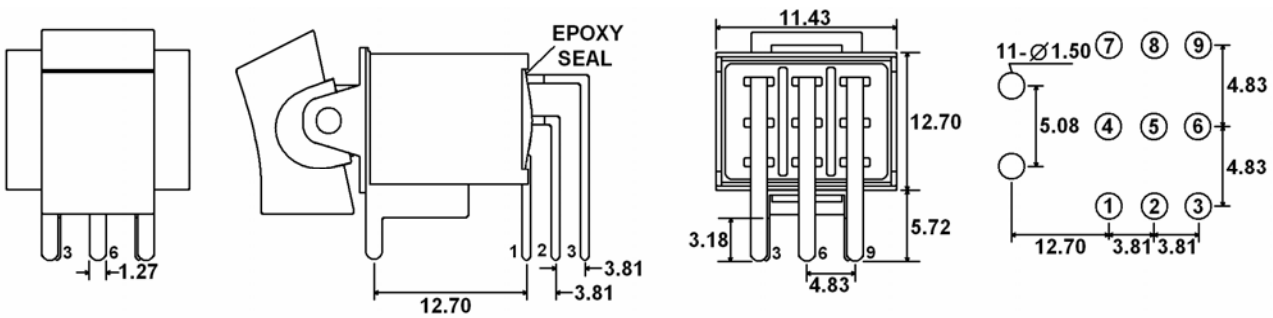
H (HS – Snap-in) = Horizontal Mount, Right Angle PC Pins (Double Pole)



V = Vertical Mount, Right Angle PC Pins (Single Pole)

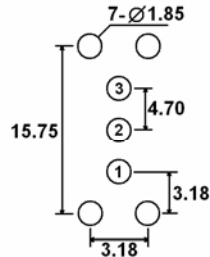
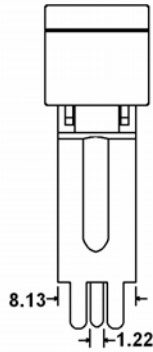
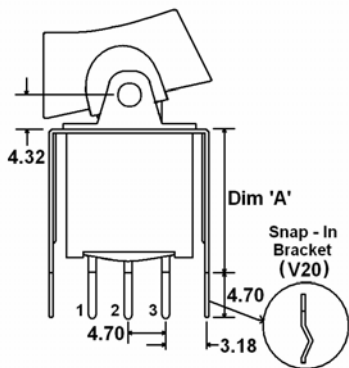


V = Vertical Mount, Right Angle PC Pins (Double Pole)



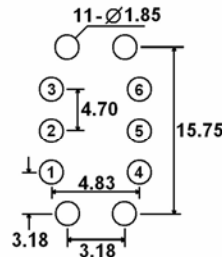
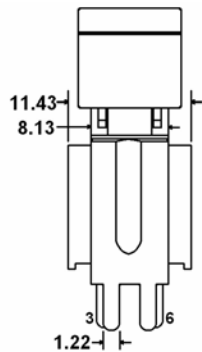
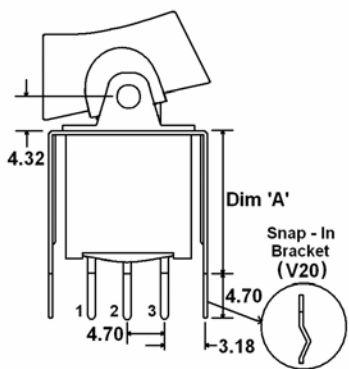
V = Vertical Mount, Right Angle PC Pins (Three Pole)

TERMINAL OPTIONS



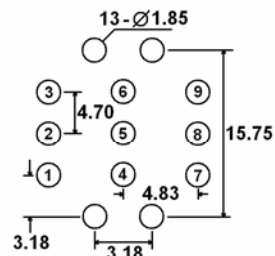
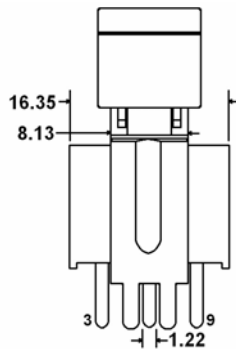
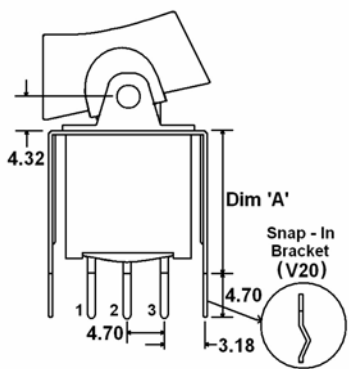
Terminal Option	"A" Dimension
S20-V20	11.68
S25-V25	16.00

S20/S25 (V20/V25 – Snap-in Bracket) = PC Pins with Support Bracket (Single Pole)



Terminal Option	"A" Dimension
S20-V20	11.68
S25-V25	16.00

S20/S25 (V20/V25 – Snap-in Bracket) = PC Pins with Support Bracket (Double Pole)



Terminal Option	"A" Dimension
S20-V20	11.68
S25-V25	16.00

S20/S25 (V20/V25 – Snap-in Bracket) = PC Pins with Support Bracket (Three Pole)

CONTACT OPTIONS

Designator	Contact Material	Terminal Material	Electrical Ratings
Q	Silver Plating	Silver Plating	5A @ 120VAC, 28VDC; 2A @ 250VAC
R	Gold over Nickel Plating	Gold over Nickel Plating	.4 VA max @ 20VAC or VDC max
G	Gold over Silver Plating	Gold over Silver Plating	.4 VA max @ 20VAC or VDC max or 5A @ 120VAC, 28VDC; 2A @ 250VAC

THREE WAY WIRING DIAGRAM

