

Data Sheet

SP045xxVBNC

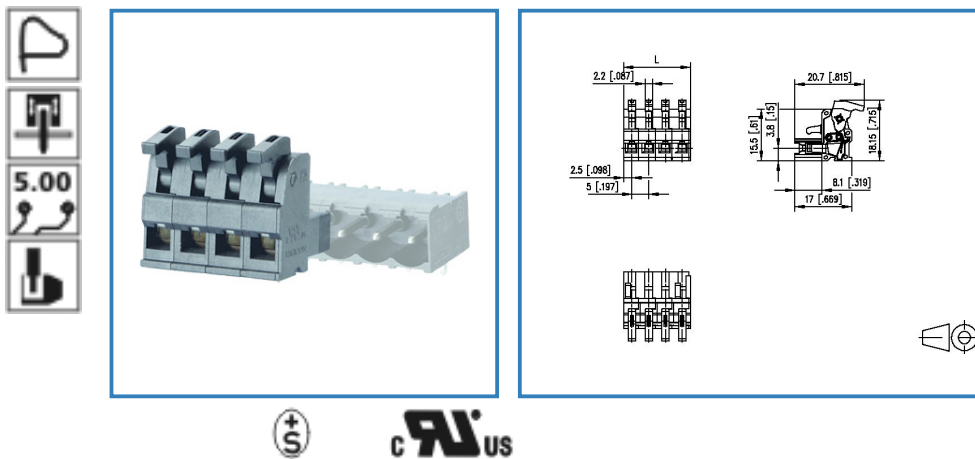
Page 1/4

P/N

ASP045xx

xx=number of poles

Illustration



see enlarged drawing at the end of the document

Product specification

- spring clamp terminal block, pluggable
- centerline 5.00 mm, direction of connection vertical 0°
- fittable without loss of poles
- color black
- eccentric lever, wire entry undecodeable side parallel to plug direction
- Connection data

c RI US V / A / AWG 300 / 10 / 28 - 16

S 0.08 - 1 mm² 250 V / 4 kV / 10 A

Data Sheet



SP045xxVBNC

Technical Data

General Data

min. number of poles	2		
max. number of poles	24		
Insulating material class	CTI 400		
clearance/creepage dist.	4 mm		
protection category	IP 20		
Overvoltage category	III	III	II
Pollution degree	3	2	2
Rated voltage	250 V	500 V	500 V
Rated test voltage	2.5 kV	4 kV	2.5 kV

Connection data

 V / A / AWG	300 / 10 / 28 - 16		
 0.08 - 1 mm ²	250 V / 4 kV / 10 A		

Material

insulating material	PA46
flammability class	V0

Climatic properties

upper limit temperature	105 °C
lower limit temperature	-40 °C

General

Tolerance	ISO 2768 -mH
-----------	--------------

Data Sheet

SP045xxVBNC

Page 3/4

P/N

ASP045xx

xx=number of poles

Matching Part

P/N	Product name
311761	Type 176
314761	Typ 476
313381	Typ 338
313371	Typ 337
313301	Type 330
313291	Type 329
313201	Type 320
313191	Type 319
312761	Type 276
312741	Type 274
312701	Type 270
311771	Type 177
314771	Typ 477

Accessories

P/N	Product name
700025-01-9	Kodierstern weiß

Data Sheet

SP045xxVBNC

Page 4/4

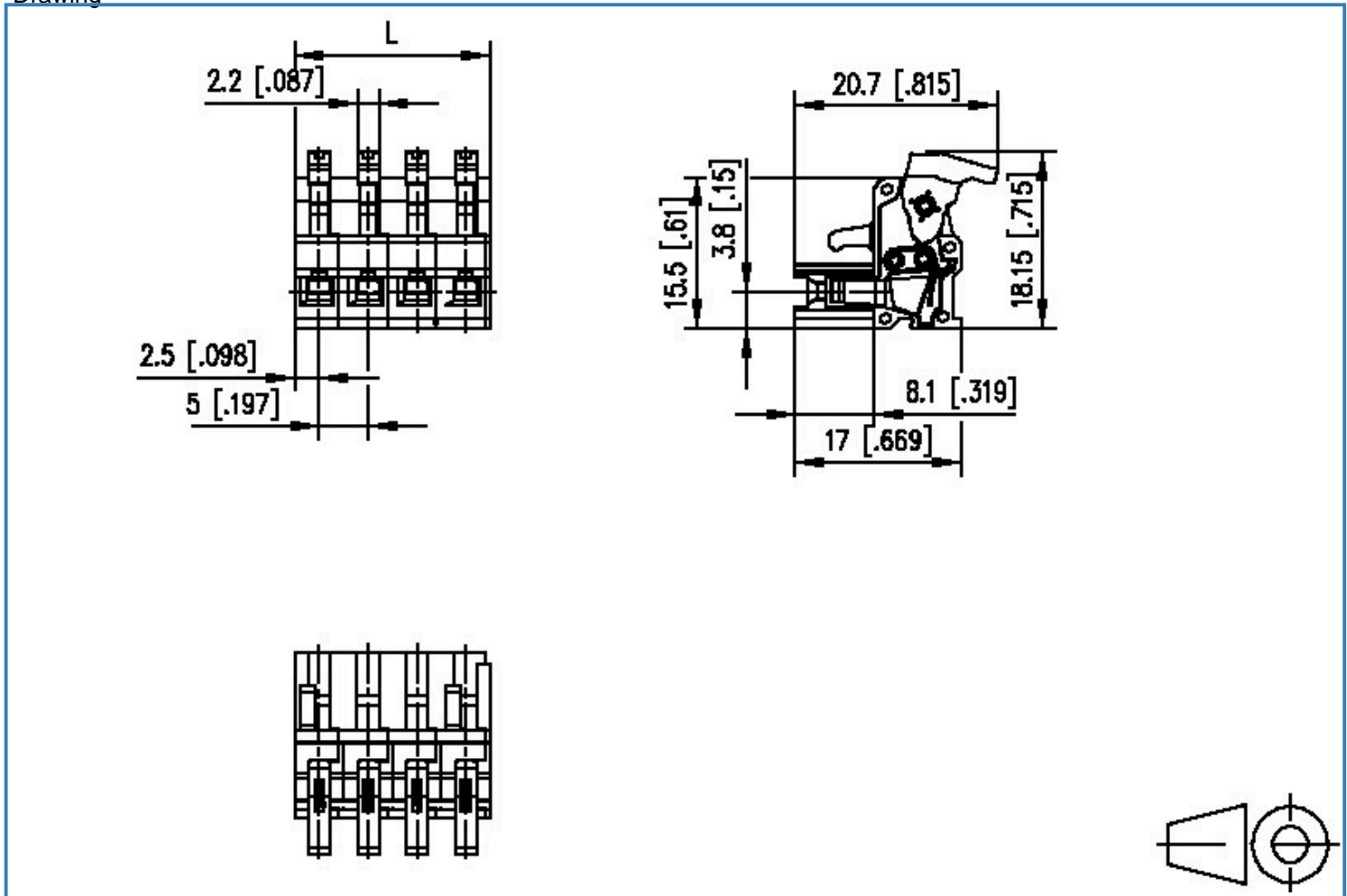
P/N

ASP045xx

xx=number of poles

Illustration

Drawing



$$L = (\text{pole size} - 1) \times \text{centerline} + 5 [0.197]$$