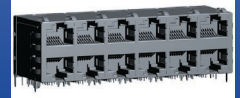


RJ45 2x6 Multiport 100/1000/2.5G/5G Base-T



ARJM26



87.0 x 28.1 x 25.5 mm
 UL Certification Number: E503350
 RoHS/RoHS II Compliant
 MSL = 1

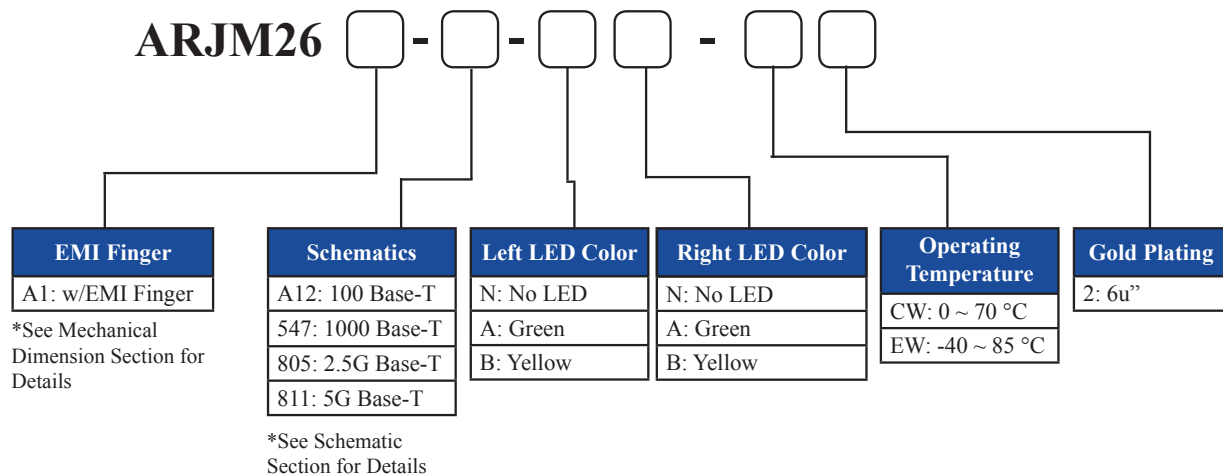
Features

- IEEE 802.3 compliant and UL certified
- High performance integrated magnetics for EMI suppression
- Suitable for CAT5 and CAT6 UTP cabling
- RoHS peak wave solder temperature rating 265°C
- Extended operating temperature -40 to 85°C option

Applications

- 10, 100, 1000, 2.5G and 5G Base-T Ethernet
- Servers, switches and routers

Options and Part Identification



Example Configurations

ARJM26 A1-547 -AB- CW2

(2 x 6, w/ EMI, 1000Base-T, w/LED G/Y, commercial grade, 6µ" Gold)

*For additional schematics, gold plating, and LED configurations, contact Abracon Sales.

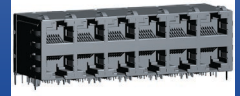


5101 Hidden Creek Ln Spicewood TX 78669
 Phone: 512-371-6159 | Fax: 512-351-8858
 For terms and conditions of sales, please visit:
www.abracon.com

REVISED: 01.28.2019

ABRACON IS
 ISO9001-2015
 CERTIFIED

RJ45 2x6 Multiport 100/1000/2.5G/5G Base-T



ARJM26



87.0 x 28.1 x 25.5 mm
 UL Certification Number: E503350
 RoHS/RoHS II Compliant
 MSL = 1

Electrical Specifications

| Parameters | Minimum | Typical | Maximum | Units | Notes |
|-----------------------|---------|---------|----------------------|-------|-------------------------------------|
| Turn Ratio (±3%) | 1CT:1CT | | | | 100kHz, 0.1V |
| Inductance | 350 | | | μH | 100kHz, 0.1V, 8mADC |
| | 200 | | | | For 2.5G Base-T only |
| | 160 | | | | For 5G Base-T only |
| Leakage Inductance | | | 0.5 | μH | 100kHz, 0.1V |
| | | | 0.3 | | For 2.5G Base-T and 5G Base-T |
| DC Resistance | | | 1.5 | Ω | |
| Hipot | 2250 | | | VDC | 1mA Max Complies with IEEE 802.3 |
| Operating Temperature | -40 | | +85 | °C | See options |
| Storage Temperature | -40 | | +85 | °C | |
| 100 Base-T | | | | | |
| Insertion Loss | -1.1 | | | dB | 0.5-100MHz |
| Return Loss | | | -18 | dB | 0.5-30MHz |
| | | | $-18+20\log(f/30)^*$ | | 30.1-60MHz |
| | | | -12 | | 60.1-80MHz |
| Crosstalk | | | -35 | dB | 0.5-40MHz |
| | | | $-33+20\log(f/50)^*$ | | 40.1-100MHz |
| CMRR | | | -30 | dB | 0.5-100MHz |
| 1000 Base-T | | | | | |
| Insertion Loss | -1.1 | | | dB | 0.5-100MHz |
| Return Loss | | | -18 | dB | 0.5-40MHz |
| | | | $-12+20\log(f/80)^*$ | | 40.1-100MHz |
| Crosstalk | | | -35 | dB | 0.5-40MHz |
| | | | $-33+20\log(f/50)^*$ | | 40.1-100MHz |
| CMRR | | | -30 | dB | 0.5-100MHz |
| 2.5G Base-T | | | | | |
| Insertion Loss | -0.5 | | | dB | 1-50MHz |
| | -1.0 | | | | 50-125MHz |
| Return Loss | | | -20 | dB | 1-40MHz |
| | | | $-20+15\log(f/40)^*$ | | 40-200MHz |
| Crosstalk | | | -30 | dB | 25-125MHz |
| 5G Base-T | | | | | |
| Insertion Loss | -0.5 | | | dB | 1-50MHz |
| | -1.0 | | | | 50-125MHz |
| | -2.0 | | | | 125-250MHz |
| Return Loss | | | -20 | dB | 1-40MHz |
| | | | $-20+15\log(f/40)^*$ | | 40-250MHz |
| Crosstalk | | | -30 | dB | 1-125MHz |
| | | | -25 | | 125-250MHz |

*f represents the test frequency specified in MHz

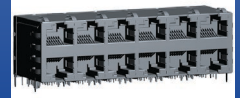


5101 Hidden Creek Ln Spicewood TX 78669
 Phone: 512-371-6159 | Fax: 512-351-8858
 For terms and conditions of sales, please visit:
www.abracon.com

REVISED: 01.28.2019

ABRACON IS
 ISO9001-2015
 CERTIFIED

RJ45 2x6 Multiport 100/1000/2.5G/5G Base-T



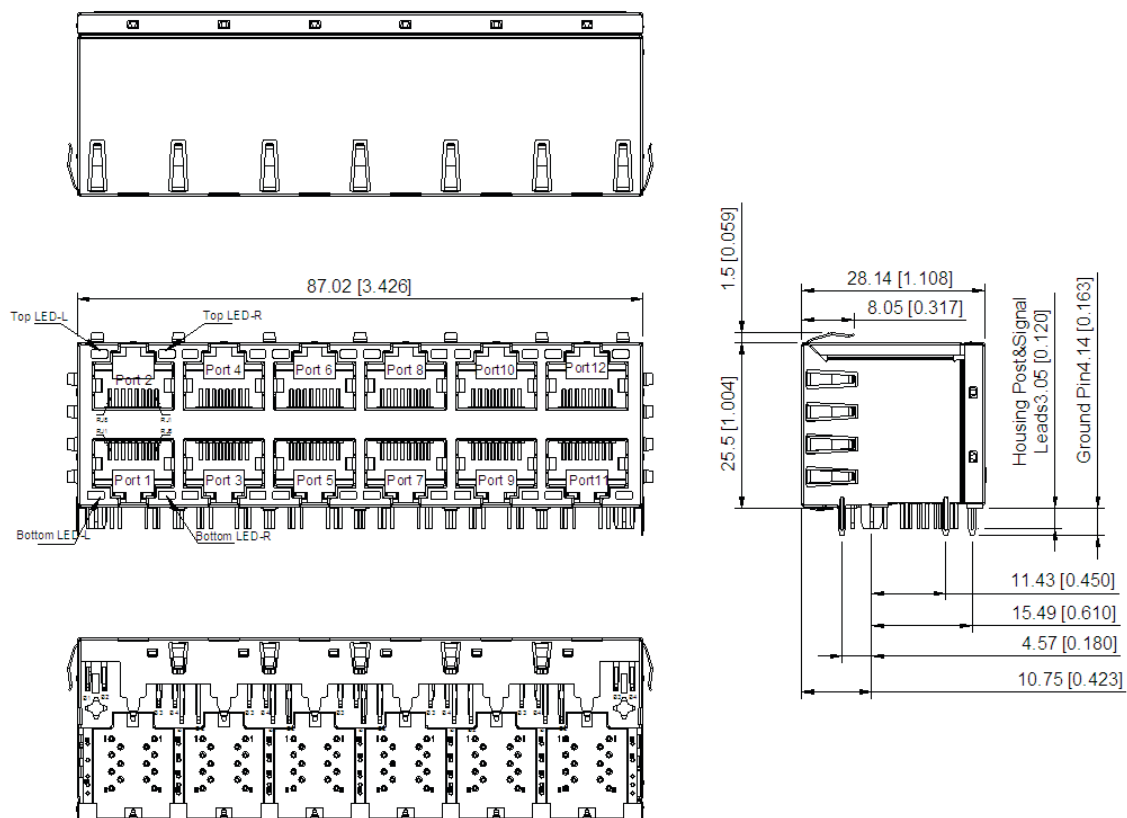
ARJM26



87.0 x 28.1 x 25.5 mm
UL Certification Number: E503350
RoHS/RoHS II Compliant
MSL = 1

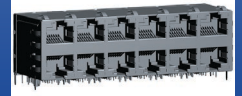
Mechanical Dimensions

A1: 2 x 6, w/ EMI Fingers



Dimensions: mm[inch] (Unless otherwise specified, all tolerances are ± 0.25 [0.010])

RJ45 2x6 Multiport 100/1000/2.5G/5G Base-T



ARJM26

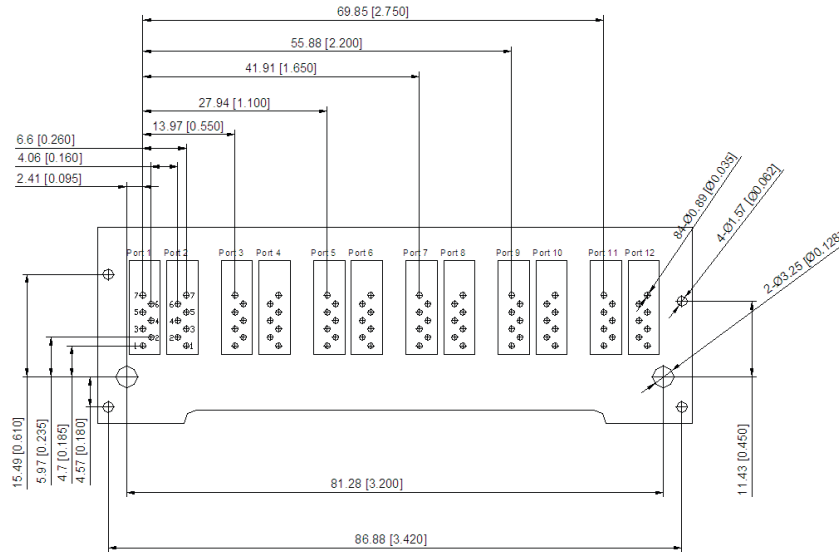


87.0 x 28.1 x 25.5 mm
 UL Certification Number: E503350
 RoHS/RoHS II Compliant
 MSL = 1

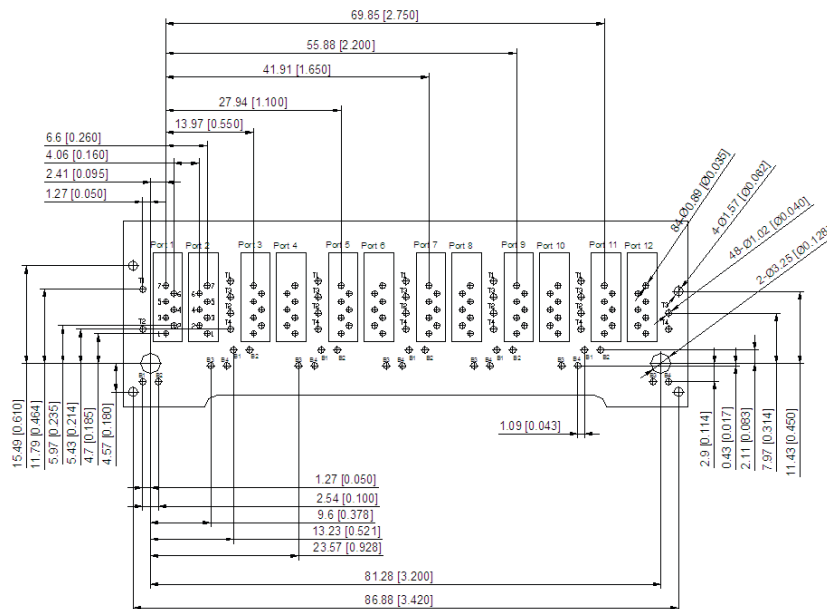
Mechanical Dimensions

Recommended Land Pattern

8 Pins, no LED For 100 Base-T



8 Pins, w/ LED For 100 Base-T



Dimensions: mm[inch]

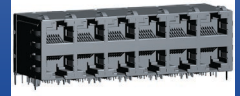


5101 Hidden Creek Ln Spicewood TX 78669
 Phone: 512-371-6159 | Fax: 512-351-8858
 For terms and conditions of sales, please visit:
www.abracon.com

REVISED: 01.28.2019

ABRACON IS
 ISO9001-2015
 CERTIFIED

RJ45 2x6 Multiport 100/1000/2.5G/5G Base-T



ARJM26

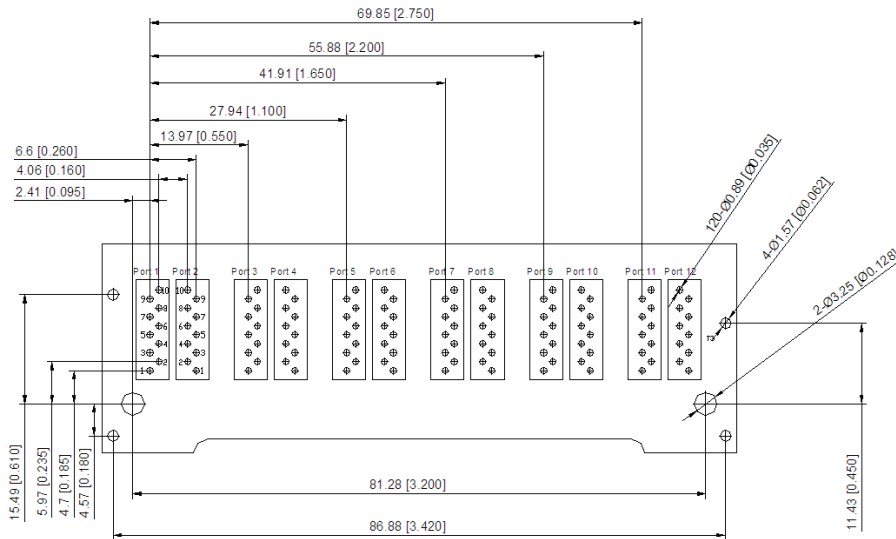


87.0 x 28.1 x 25.5 mm
 UL Certification Number: E503350
 RoHS/RoHS II Compliant
 MSL = 1

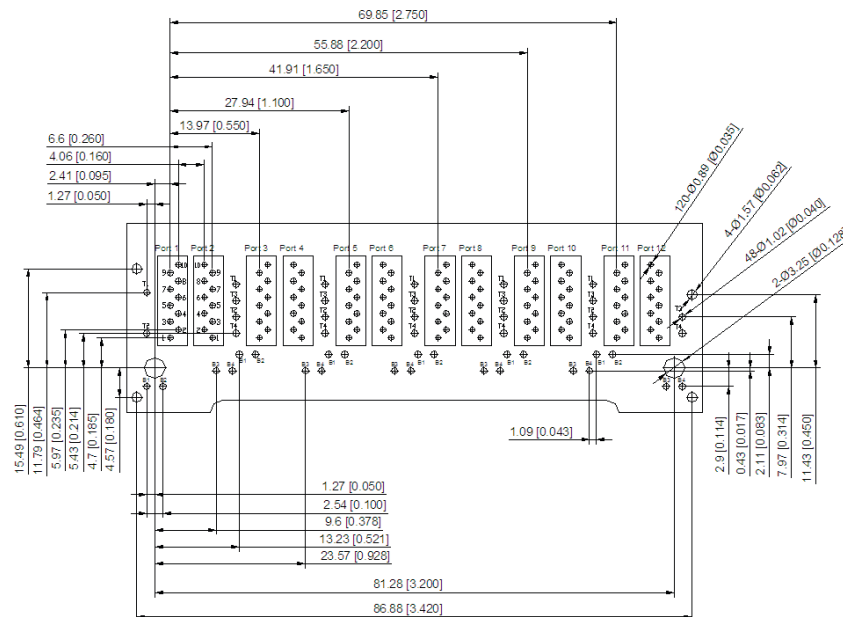
Mechanical Dimensions

Recommended Land Pattern

10 Pins, no LED
 For 1000/2.5G/5G Base-T



10 Pins, w/ LED
 For 1000/2.5G/5G Base-T



Dimensions: mm[inch]

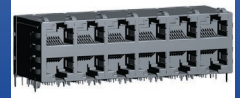


5101 Hidden Creek Ln Spicewood TX 78669
 Phone: 512-371-6159 | Fax: 512-351-8858
 For terms and conditions of sales, please visit:
www.abracon.com

REVISED: 01.28.2019

ABRACON IS
 ISO9001-2015
 CERTIFIED

RJ45 2x6 Multiport 100/1000/2.5G/5G Base-T



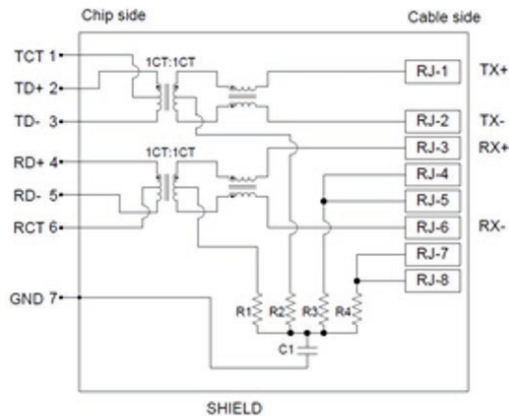
ARJM26



87.0 x 28.1 x 25.5 mm
 UL Certification Number: E503350
 RoHS/RoHS II Compliant
 MSL = 1

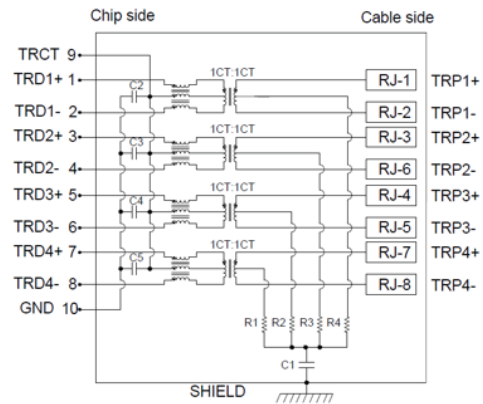
Schematic

A12 (100 Base-T)



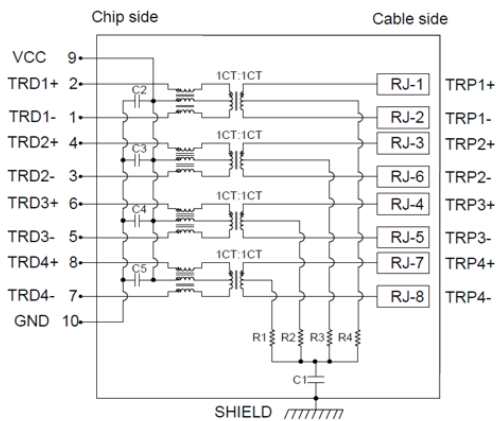
Note:
 R1-R4=75 OHMS, Resistors.
 C1=2KV 1000pF, Capacitor.

805 (2.5G Base-T)



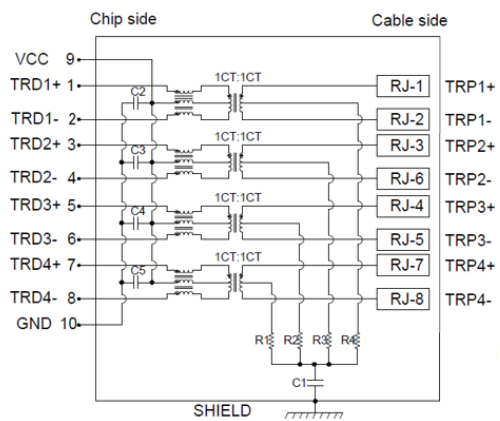
Note:
 R1-R4=75 OHMS, Resistors.
 C1=2KV 1000pF, Capacitor.
 C2-C5=100V 100nF, Capacitor.

547 (1000 Base-T)



Note:
 R1-R4=75 OHMS, Resistors.
 C1=2KV 1000pF, Capacitor.
 C2-C5=50V 470pF, Capacitor.

811 (5G Base-T)



Note:
 R1-R4=75 OHMS, Resistors.
 C1=2KV 1000pF, Capacitor.
 C2-C5=50V 100nF, Capacitor.

Contact Abracon Sales for additional configurations.

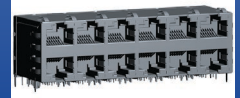


5101 Hidden Creek Ln Spicewood TX 78669
 Phone: 512-371-6159 | Fax: 512-351-8858
 For terms and conditions of sales, please visit:
www.abracon.com

REVISED: 01.28.2019

ABRACON IS
 ISO9001-2015
 CERTIFIED

RJ45 2x6 Multiport 100/1000/2.5G/5G Base-T



ARJM26



87.0 x 28.1 x 25.5 mm
UL Certification Number: E503350
RoHS/RoHS II Compliant
MSL = 1

Materials

Housing:

Material:
PBT, UL94V-0
Standard Color: Black

Insert:

Material:
PBT, UL94V-0
Contact Material: Phosphor Bronze
Plating (1): Nickel
Plating (2): Gold, 6u"

Metal Shell:

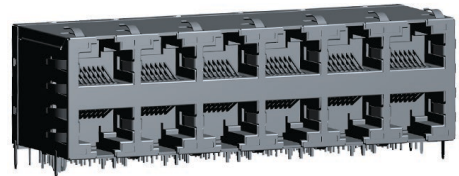
Material: Brass
Plating (1): Nickel

Contact Pin:

Material: Phosphor Bronze
Plating (1): Nickel
Plating (2): 100%Sn

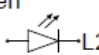
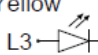
LED:

Material: Diffused Epoxy Lens, 0.5x0.5mm Carbon Steel wireframe leads



Note: Abracon LLC will not alter any material composition, without prior written notification.

**LED Specification. @20mA Forward Current
AB (Left: Green – Right: Yellow) :**

| LED-L | LED-R |
|--|---|
| Green L1 →  → L2 | Yellow L3 →  → L4 |

| Color | Green | Yellow |
|-----------------|-----------|-----------|
| Wavelength | 565nm Typ | 585nm Typ |
| Forward Voltage | 2.2V Typ | 2.1V Typ |

Contact Abracon Sales for additional configurations.

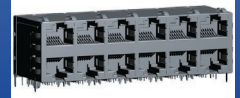


5101 Hidden Creek Ln Spicewood TX 78669
Phone: 512-371-6159 | Fax: 512-351-8858
For terms and conditions of sales, please visit:
www.abracon.com

REVISED: 01.28.2019

ABRACON IS
ISO9001-2015
CERTIFIED

RJ45 2x6 Multiport 100/1000/2.5G/5G Base-T

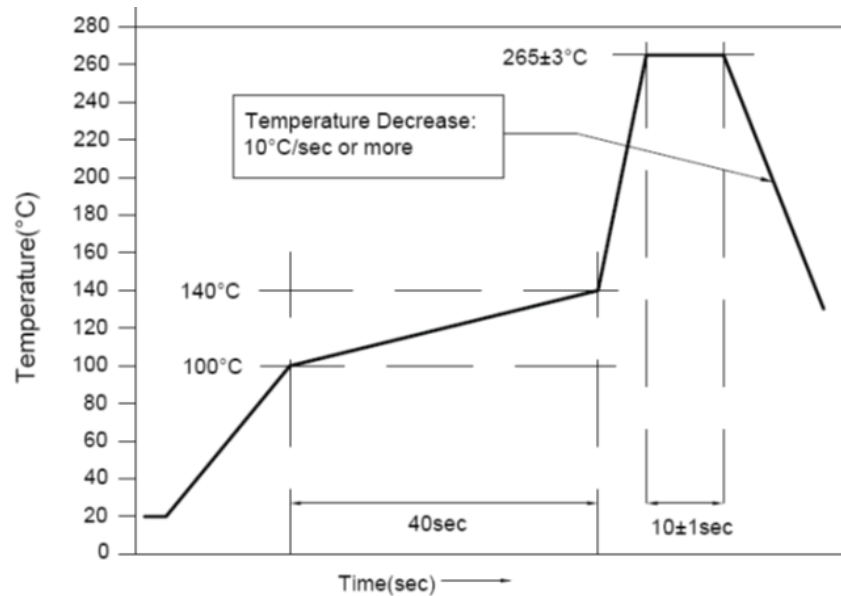


ARJM26



87.0 x 28.1 x 25.5 mm
 UL Certification Number: E503350
 RoHS/RoHS II Compliant
 MSL = 1

Wave Soldering Profile



Packaging

| Series | Approximate Weight / Pc | Approximate Weight / Carton | Qty / Carton (pcs) | MOQ (pcs) | Carton Dimensions (LxWxH) |
|--------|-------------------------|-----------------------------|--------------------|-----------|---------------------------|
| ARJM26 | 63.70 g | 6477 g | 96 | 768 | 340 x 215 x 275 mm |

ATTENTION: Abracon LLC's products are COTS – Commercial-Off-The-Shelf products; suitable for Commercial, Industrial and, where designated, Automotive Applications. Abracon's products are not specifically designed for Military, Aviation, Aerospace, Life-dependent Medical applications or any application requiring high reliability where component failure could result in loss of life and/or property. For applications requiring high reliability and/or presenting an extreme operating environment, written consent and authorization from Abracon LLC is required. Please contact Abracon LLC for more information.



5101 Hidden Creek Ln Spicewood TX 78669
 Phone: 512-371-6159 | Fax: 512-351-8858
 For terms and conditions of sales, please visit:
www.abracon.com

REVISED: 01.28.2019

ABRACON IS
 ISO9001-2015
 CERTIFIED