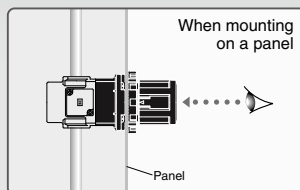
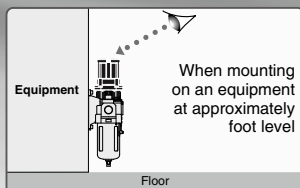


Regulator with Built-in Pressure Gauge Filter Regulator with Built-in Pressure Gauge

ACG/ARG/AWG Series



Visibility of pressure gauge is improved in various installation places



AC-A
AF-A
AF□-A
AR-A
AL-A
AW-A
AC-B
AF-A
AF□-A
AR-B
AL-A
AW-B
AW□
ACG
E□
AV
AF



Installation and removal of pressure gauge cover is possible with one-touch.

Easy to adjust limit indicator.



Mounting angle of pressure gauge is selectable depending on the piping direction

* Mounting angle can be changed as desired. For details, refer to "Procedure for replacing or changing the mounting angle of a pressure gauge" on page 642.

Mounting angle	0°	90°
Mounting angle view		
Mounting angle	180°	270°
Mounting angle view		

Pressure gauge anti-revolving mechanism



* Pressure gauge will not be revolved even after the knob is operated.



Space saving, Labor saving

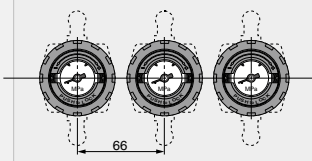
Panel-cut for pressure gauge is not necessary.

In the case of panel mounting, the number of holes for taking out the products (pressure gauge plus regulator knob parts) can be reduced into one location. By changing the angle of pressure gauge, the internal volume of a panel can be used effectively.

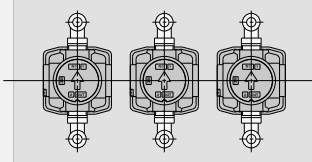
■ Mounting example: In the case of aligning three ARG30s in line.

Mounting at 90° (In the case of restricted in side direction)

Surface of panel

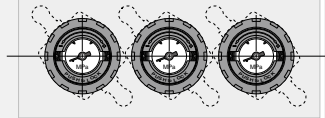


Bottom of panel

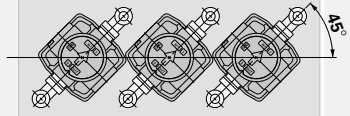


Mounting at 45° (In the case of considering the effectiveness of panel)
* Contact SMC separately, since it will be made to order. (Refer to page 630.)

Surface of panel








Bottom of panel



In the case of ARG30, dimension in height can be reduced by approx. 30 mm.

Standard Combinations

Combination	Model	Port size	Components				
			Air filter AF * Refer to the Web Catalog.	Regulator with Built-in Pressure Gauge ARG P. 619	Filter Regulator with Built-in Pressure Gauge AWG P. 631	Lubricator AL * Refer to the Web Catalog.	Mist separator AFM * Refer to the Web Catalog.
AF + ARG + AL  P. 604	ACG20	1/8, 1/4	AF20	ARG20		AL20	
	ACG30	1/4, 3/8	AF30	ARG30		AL30	
	ACG40	1/4, 3/8, 1/2	AF40	ARG40		AL40	
AWG + AL  P. 607	ACG20A	1/8, 1/4			AWG20	AL20	
	ACG30A	1/4, 3/8			AWG30	AL30	
	ACG40A	1/4, 3/8, 1/2			AWG40	AL40	
AF + ARG  P. 609	ACG20B	1/8, 1/4	AF20	ARG20			
	ACG30B	1/4, 3/8	AF30	ARG30			
	ACG40B	1/4, 3/8, 1/2	AF40	ARG40			
AF + AFM + ARG  P. 611	ACG20C	1/8, 1/4	AF20	ARG20			AFM20
	ACG30C	1/4, 3/8	AF30	ARG30			AFM30
	ACG40C	1/4, 3/8, 1/2	AF40	ARG40			AFM40
AWG + AFM  P. 613	ACG20D	1/8, 1/4			AWG20		AFM20
	ACG30D	1/4, 3/8			AWG30		AFM30
	ACG40D	1/4, 3/8, 1/2			AWG40		AFM40

INDEX

■ Air Combination

Air Filter + Regulator with Built-in Pressure Gauge + Lubricator ACG20/30/40	P. 604
Filter Regulator with Built-in Pressure Gauge + Lubricator ACG20A/30A/40A	P. 607
Air Filter + Regulator with Built-in Pressure Gauge ACG20B/30B/40B	P. 609
Air Filter + Mist Separator + Regulator with Built-in Pressure Gauge ACG20C/30C/40C	P. 611
Filter Regulator with Built-in Pressure Gauge + Mist Separator ACG20D/30D/40D	P. 613

■ Regulator with Built-in Pressure Gauge

Regulator with Built-in Pressure Gauge ARG20/30/40	P. 620
Regulator with Built-in Pressure Gauge with Back Flow Mechanism ARG20K/30K/40K	P. 624

■ Filter Regulator with Built-in Pressure Gauge

Filter Regulator with Built-in Pressure Gauge AWG20/30/40	P. 632
Filter Regulator with Built-in Pressure Gauge with Back Flow Mechanism AWG20K/30K/40K	P. 636

AC-A

AF-A

AF□-A

AR-A

AL-A

AW-A

AC-B

AF-A

AF□-A

AR- $\frac{B}{A}$

AL-A

AW- $\frac{B}{A}$

AW□

AF□G

E□

AV

AF

How to Order

ACG **30** - **03** **G1** -

Body size

Symbol	Port size
20	1/8
30	3/8
40	1/2

Model combination

Symbol	Combination				
	Air filter	Regulator with Built-in Pressure Gauge	Lubricator	Filter Regulator with Built-in Pressure Gauge	Mist separator
Nil	(1)	(2)	(3)	—	—
A	—	—	(2)	(1)	—
B ⁽¹⁾	(1)	(2)	—	—	—
C	(1)	(3)	—	—	(2)
D	—	—	—	(1)	(2)

Note 1) Wall mount is not available for size 20 regulator with downward facing knob in B combination. Contact SMC when wall mount is needed.

Note 2) The number inside () indicates the combination order counted from the inlet side.

Thread type

Symbol	Type
Nil	Rc
N ⁽³⁾	NPT
F ⁽⁴⁾	G

Note 3) Drain guide is NPT 1/8 for ACG20 and NPT 1/4 for ACG30 and 40. Auto-drain port is provided with ø3.8" One-touch fitting (applicable to ACG30 and 40).

Note 4) Drain guide is G1/8 for ACG20 and G1/4 for ACG30 and 40.

Port size

Symbol	Port size	Body size		
		20	30	40
01	1/8	●	—	—
02	1/4	●	●	●
03	3/8	—	●	●
04	1/2	—	—	●

Option

Symbol	Description	Applicable model
Nil	—	—
C	Float type auto-drain (Normally closed)	ACG20□ to 40□
D	Float type auto-drain (Normally open)	ACG30□, 40□

Mounting angle of pressure gauge °0

Note 5) Mounting angle of pressure gauge is G1 only. If other mounting angles are needed, contact SMC.

• Possible to change to the optional mounting angles. For details, refer to page 642, "Procedure for replacing or changing the mounting angle of a pressure gauge".

Semi-standard

Symbol	Description	Applicable model
Nil	—	—
1 ⁽⁸⁾	0.02 to 0.2 MPa setting	ACG20□ to 40□
2	Metal bowl	ACG20□ to 40□
3	Lubricator with drain cock	ACG20□ to 40□
6	Nylon bowl	ACG20□ to 40□
8	Metal bowl with level gauge	ACG30□, 40□
C	With bowl guard	ACG20□
J ⁽⁹⁾	Filter case with drain guide	ACG20□ to 40□
N	Non-relieving type	ACG20□ to 40□
R	Flow direction: Right to left	ACG20□ to 40□
W	Drain cock with barb fitting: ø6 x ø4 nylon tubing	ACG30□, 40□
Y	Regulator with upward facing knob	ACG20□ to 40□
Z ⁽¹⁰⁾	Name plate and pressure gauge in imperial units (psi), caution plate for bowl (psi·°F)	ACG20□ to 40□

+ When more than one specification is required, indicate in ascending alphanumeric order.

Note 8) Adjusting spring and pressure gauge (full-span 0.3 MPa) are different from those for the standard specification. Outlet pressure may increase by 0.2 MPa or more.

Note 9) Without a valve function.

Note 10) For thread type NPT.

This product is for overseas use only according to the new Measurement Law. (The SI unit type is provided for use in Japan.) Both MPa and psi are used for the pressure switch unit.

Attachment

Symbol	Description	Attachment mounting position	Applicable model	Port size for intermediate air release
Nil	—	—	—	—
K	Check valve	AF + ARG + [K] + AL AWG + [K] + AL	ACG20 to 40 ACG20A to 40A	ACG20□: 1/8 ACG30□: 1/4 ACG40□: 3/8
S ⁽⁷⁾	Pressure switch	AF + ARG + [S] + AL AF + [S] + ARG AF + AFM + [S] + ARG	ACG20 to 40 ACG20B to 40B ACG20C to 40C	—
V	Residual pressure relief 3 port valve	AF + ARG + AL + [V] AWG + AL + [V] AF + ARG + [V] AF + AFM + ARG + [V] AWG + AFM + [V]	ACG20 to 40 ACG20A to 40A ACG20B to 40B ACG20C to 40C ACG20D to 40D	—

Note 6) When more than one attachment is required, order in alphabetical order.

Note 7) Pressure switch cannot be mounted on the inlet and outlet sides of an ARG with an upward facing knob (optional specification: -Y).

Mounting Angle of Pressure Gauge

Symbol	G1
Mounting angle	0°
Mounting angle view	
Mounting angle view (-R specification)	




Option/Semi-standard Combinations

⊙: Combination available ◻: Combination not available ○: Varies depending on a model △: Available only with NPT thread

Option/ Semi-standard specifications	Combination Symbol	Option		Semi-standard										F.R.L. unit applicable model												
		C	D	1	2	3	6	8	C	J	N	R	W	Y	Z	ACG20	ACG20A	ACG20B	ACG20C	ACG20D	ACG30 ACG40	ACG30A ACG40A	ACG30B ACG40B	ACG30C ACG40C	ACG30D ACG40D	
Float type auto drain (N.C.)	C			⊙	⊙	⊙	⊙	○	○	⊙	⊙	○	○	△	⊙	⊙	⊙	⊙	⊙	⊙	⊙	⊙	⊙	⊙	⊙	⊙
Float type auto drain (N.O.)	D			⊙	⊙	⊙	⊙	⊙	⊙	⊙	⊙	⊙	○	△							⊙	⊙	⊙	⊙	⊙	
0.02 to 0.2 MPa setting	-1	⊙	○	⊙	⊙	⊙	○	○	⊙	⊙	⊙	○	○	△	⊙	⊙	⊙	⊙	⊙	⊙	⊙	⊙	⊙	⊙	⊙	
Metal bowl	-2	⊙	○	⊙	⊙	⊙	⊙	⊙	⊙	⊙	⊙	○	○	△	⊙	⊙	⊙	⊙	⊙	⊙	⊙	⊙	⊙	⊙	⊙	
Lubricator with drain cock	-3	⊙	○	⊙	⊙	⊙	○	○	⊙	⊙	⊙	○	○	△	⊙	⊙				⊙	⊙					
Nylon bowl	-6	⊙	○	⊙	⊙	⊙	⊙	○	○	⊙	⊙	○	○	△	⊙		⊙	⊙	⊙	⊙	⊙	⊙	⊙	⊙	⊙	
Metal bowl with level gauge	-8	⊙	○	⊙	⊙	⊙	⊙	⊙	⊙	⊙	⊙	○	○	△						⊙	⊙	⊙	⊙	⊙	⊙	
With bowl guard	-C	⊙		⊙	⊙	⊙	⊙	⊙	⊙	⊙	⊙	○	○	△	⊙	⊙	⊙	⊙	⊙							
Drain guide	-J			⊙	⊙	⊙	⊙	○	○	⊙	⊙	○	○	△	⊙	⊙	⊙	⊙	⊙	⊙	⊙	⊙	⊙	⊙	⊙	
Non-relieving type	-N	⊙	○	⊙	⊙	⊙	⊙	⊙	⊙	⊙	⊙	⊙	○	△	⊙	⊙	⊙	⊙	⊙	⊙	⊙	⊙	⊙	⊙	⊙	
Flow direction: Right to left	-R	⊙	○	⊙	⊙	⊙	⊙	⊙	⊙	⊙	⊙	⊙	○	△	⊙	⊙	⊙	⊙	⊙	⊙	⊙	⊙	⊙	⊙	⊙	
Drain cock with barb fitting	-W			⊙	⊙	⊙	⊙	⊙	⊙	⊙	⊙	○	○	△						⊙	⊙	⊙	⊙	⊙	⊙	
Regulator upward facing knob	-Y	⊙	○	⊙	⊙	⊙	○	○	⊙	⊙	⊙	○	○	△	⊙		⊙	⊙		⊙		⊙	⊙			
Name plate, caution plate for bowl, and pressure gauge in imperial units (psi, F)	-Z	△	△	△	△	△	△	△	△	△	△	△	△	△	△	△	△	△	△	△	△	△	△	△	△	△

AC-A
AF-A
AF-A
AR-A
AL-A
AW-A
AC-B
AF-A
AR-A
AL-A
AW-A
AF-A
AW-A
AW-A
AW-A
AF-A
AF-A

Attachments

	Port size	Function	
 Check valve	1/8, 1/4, 3/8	Prevents back flow from lubricator.	P. 615
 Pressure switch	—	Compact switch	P. 616
 Residual pressure relief 3 port valve	1/8, 1/4, 3/8, 1/2	Releases residual pressure in lines.	P. 617

Accessories
Refer to page 618 for spacers and brackets.

Air Combination

Air Filter + Regulator + Lubricator

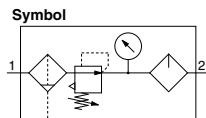
ACG20/30/40 Series



ACG20



ACG40



Air filter Regulator Lubricator

Standard Specifications

Model		ACG20	ACG30	ACG40
Component	Air filter	AF20	AF30	AF40
	Regulator	ARG20	ARG30	ARG40
	Lubricator	AL20	AL30	AL40
Port size		1/8 1/4	1/4 3/8	1/4 3/8 1/2
Fluid		Air		
Proof pressure		1.5 MPa		
Maximum operating pressure		1.0 MPa		
Regulating pressure range		0.05 to 0.85 MPa		
Relief pressure		Set pressure + 0.05 MPa (at relief flow rate of 0.1 L/min (ANR))		
Ambient and fluid temperature		-5 to 60°C (With no freezing)		
Nominal filtration rating		5 μm		
Recommended lubricant		Class 1 turbine oil (ISO VG32)		
Regulator construction		Relieving type		
Bowl material		Polycarbonate		
Bowl guard		Semi-standard		Standard
Sight dome material		Polycarbonate		
Weight (kg)		0.51	1.11	1.87

Attachment/Option Part No.

Description			Attachment/Option part no.		
Model			ACG20	ACG30	ACG40
Pressure gauge ⁽¹⁾	Standard	0 to 1.0 MPa	GB2-10AS	GB3-10AS	GB4-10AS
	Semi-standard	0 to 0.3 MPa	GB2-3AS	GB3-3AS	GB4-3AS
Option	Float type auto drain ⁽²⁾	Normally closed	AD27	AD37	AD47
		Normally open	—	AD38	AD48
Attachment	Spacer		Y200	Y300	Y400
	Spacer with bracket		Y200T	Y300T	Y400T
	Check valve ⁽³⁾		AKM2000-□01, □02	AKM3000-(□01, □02)	AKM4000-(□02), □03
	Pressure switch ⁽⁴⁾		IS10M-20	IS10M-30	IS10M-40
	Residual pressure relief 3 port valve ⁽⁴⁾		VHS20-□01, □02	VHS30-□02, □03	VHS40-□02, □03, □04

Note 1) Contact SMC regarding the connection thread NPT and pressure gauge supply for psi unit specifications.

Note 2) Minimum operating pressure: 0.1 MPa for N.O. type, 0.1 MPa for N.C. type (AD27) and 0.15 MPa for N.C. type (AD37 and 47). Contact SMC for psi and °F specifications.

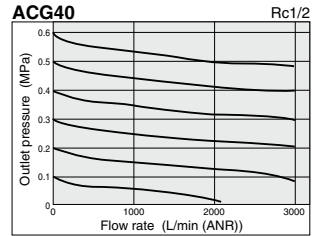
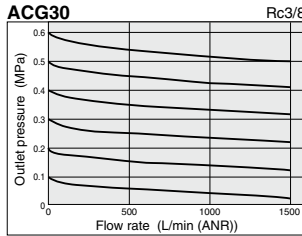
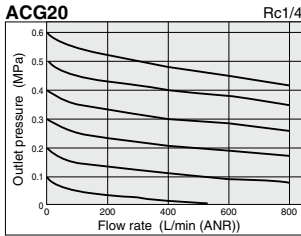
Note 3) For F.R.L. units, port sizes not in () are for standard application.

Note 4) Separate spacers are required for modular unit.

Note 5) Pressure switch cannot be mounted on the inlet and outlet sides of an ARG with an upward facing knob (semi-standard specification: -Y).

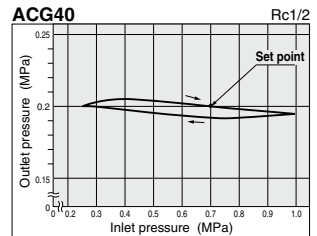
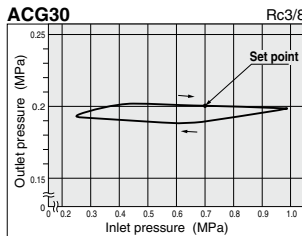
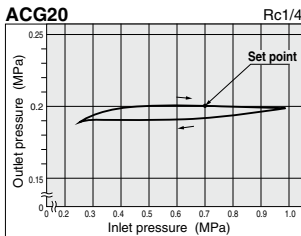
Flow Rate Characteristics

Condition: Inlet pressure 0.7 MPa



Pressure Characteristics

Conditions: Inlet pressure 0.7 MPa, Outlet pressure 0.2 MPa, Flow rate 20 L/min (ANR)



⚠ Specific Product Precautions

- Be sure to read this before handling the products.
- Refer to back page 50 for Safety Instructions and pages 387 to 391 for F.R.L. Precautions.

Piping

⚠ Warning

- When mounting a check valve, make sure the arrow (IN side) points in the correct direction of air flow.

Selection

⚠ Warning

- Float type auto drain
 - Operate under the following conditions to avoid malfunction.
 - <N.O. type>**
 - Operating compressor: 0.75 kW (100 L/min (ANR)) or more.
 - When using 2 or more auto drains, multiply the value above by the number of auto drains to find the capacity of the compressors you will need.
 - For example, when using 2 auto drains, 1.5 kW (200 L/min (ANR)) of the compressor capacity is required.
 - Operating pressure: 0.1 MPa or more.
 - <N.C. type>**
 - Operating pressure for AD27: 0.1 MPa or more.
 - Operating pressure for AD37/47: 0.15 MPa or more.
- Use a regulator or filter regulator with a back flow mechanism when mounting a 3 port valve for residual pressure release on the IN side to ensure the release of the residual pressure. Otherwise, residual pressure will not be fully released.

Selection

⚠ Caution

- Mounting a 3 port valve for residual pressure release on the IN side of the lubricator can cause lubricant to back flow. Take measures to prevent lubricant from splashing by installing a filter on the EXH port.
- An F.R.L. unit shipped from the plant has its model number labeled. However, components that are combined together during the distribution process do not have a label on them.

Air Supply

⚠ Caution

- Use an air filter with 5 μ m or less filtration rating on the inlet side of the valve to avoid any damage to the seat caused by dust when mounting a 3 port valve for residual pressure release on the inlet side.

AC-A

AF-A

AF□-A

AR-A

AL-A

AW-A

AC-B

AF-A

AF□-A

AR-B

AL-A

AW-B

AW□

AF□-G

E□

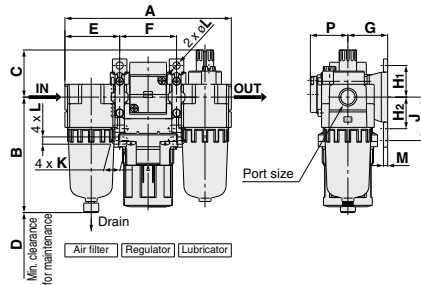
AV

AF

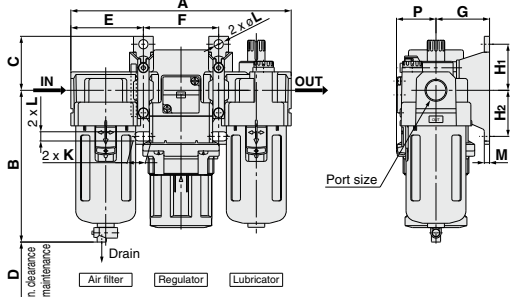
ACG20/30/40 Series

Dimensions

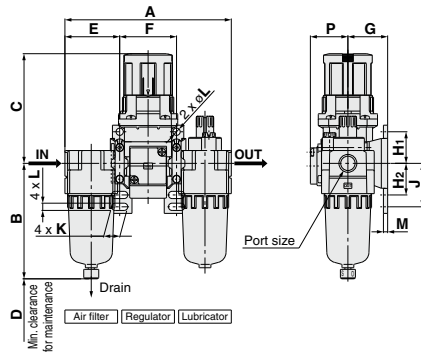
ACG20 Standard Downward facing knob



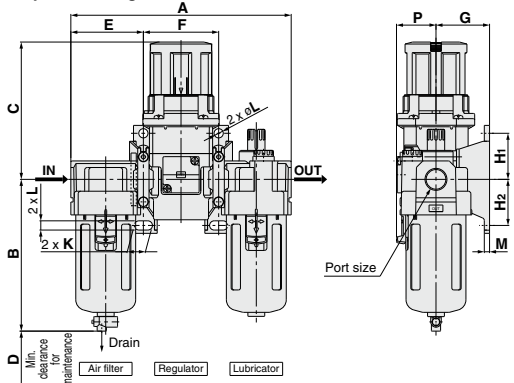
ACG30/40 Standard Downward facing knob

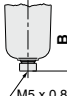
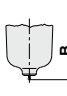
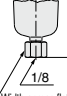
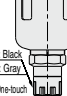
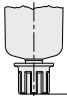
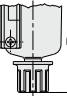
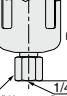
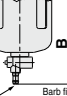


ACG20 Semi-standard (-Y) Upward facing knob



ACG30/40 Semi-standard (-Y) Upward facing knob



Applicable model Option/Semi-standard specifications	ACG20				ACG30/40			
	With auto drain (N.C.)	Metal bowl	With drain guide	With auto drain (N.O./N.C.)	Metal bowl	Metal bowl with level gauge	With drain guide	Drain cock with barb fitting
Dimensions	 M5 x 0.8		 1/8 Width across flats 17	 N.O.: Black N.C.: Gray ø1) One-touch fitting			 1/4 Width across flats 17	 Barb fitting Applicable tubing: 1/8"OD

Model	Port size	Standard specifications														
		A	B	C	D	P	Bracket mount									
		E	F	G	H ₁	H ₂	J	K	L	øL	M					
ACG20	1/8, 1/4	126	87	36	60	28.5	41.5	43	30	24	— ⁽¹⁾	— ⁽¹⁾	— ⁽¹⁾	— ⁽¹⁾	5.5	3.2
ACG30	1/4, 3/8	167	115	41	80	30	55	57	41	35	35	—	14	7	7	4
ACG40	1/4, 3/8, 1/2	220	147	48	110	38	72.5	75	50	40	40	—	18	9	9	4

Model	Option/Semi-standard specifications										
	Upward facing knob ⁽²⁾					With auto drain ⁽³⁾	With barb fitting ⁽³⁾	With drain guide ⁽⁵⁾	Metal bowl ⁽³⁾	Metal bowl with level gauge ⁽³⁾	
	C	H ₂	J	K	L	B	B	B	B	B	B
ACG20	87	24	33	12	5.5	105	—	—	91	87	—
ACG30	108.5	35	—	14	7	156	123	122	128	148	—
ACG40	114.5	40	—	18	9	186	155	154	160	180	—

Note 1) In the case of the ACG20's standard specification (downward facing knob), the wall mounting is not possible using the lower side mounting hole on the spacer with a bracket. Use the upper side mounting hole when wall mounting.

Note 2) In the case of the upward facing knob in the semi-standard specification, the C dimension will change. Also, in the case of the ACG20, wall mounting is possible by using the lower side mounting hole on the spacer with a bracket.

Note 3) For the option/semi-standard specifications (with auto drain, with barb fitting, with drain guide, metal bowl, or metal bowl with level gauge), the total length (B dimension) will vary.

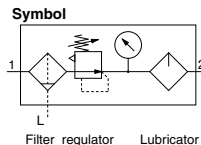
Filter Regulator + Lubricator

ACG20A/30A/40A Series

ACG20A



ACG40A

**Standard Specifications**

Model		ACG20A	ACG30A	ACG40A
Component	Filter regulator	AWG20	AWG30	AWG40
	Lubricator	AL20	AL30	AL40
Port size		1/8 1/4	1/4 3/8	1/4 3/8 1/2
Fluid		Air		
Proof pressure		1.5 MPa		
Maximum operating pressure		1.0 MPa		
Regulating pressure range		0.05 to 0.85 MPa		
Relief pressure		Set pressure + 0.05 MPa (at relief flow rate of 0.1 L/min (ANR))		
Ambient and fluid temperature		-5 to 60°C (With no freezing)		
Nominal filtration rating		5 μm		
Recommended lubricant		Class 1 turbine oil (ISO VG32)		
Filter regulator construction		Relieving type		
Bowl material		Polycarbonate		
Bowl guard		Semi-standard	Standard	
Sight dome material		Polycarbonate		
Weight (kg)		0.44	0.86	1.55

Attachment/Option Part No.

Description			Attachment/Option part no.		
Model			ACG20A	ACG30A	ACG40A
Pressure gauge ⁽¹⁾	Standard	0 to 1.0 MPa	GB2-10AS	GB3-10AS	GB4-10AS
	Semi-standard	0 to 0.3 MPa	GB2-3AS	GB3-3AS	GB4-3AS
Option	Float type auto drain ⁽²⁾	Normally closed	AD27	AD37	AD47
		Normally open	—	AD38	AD48
Attachment	Spacer		Y200	Y300	Y400
	Spacer with bracket		Y200T	Y300T	Y400T
	Check valve ⁽³⁾		AKM2000-□01, (□02)	AKM3000-(□01), □02	AKM4000-(□02), □03
	Residual pressure relief 3 port valve ⁽⁴⁾		VHS20-□01, □02	VHS30-□02, □03	VHS40-□02, □03, □04

Note 1) Contact SMC regarding the connection thread NPT and pressure gauge supply for psi unit specifications.

Note 2) Minimum operating pressure: 0.1 MPa for N.O. type, 0.1 MPa for N.C. type (AD27) and 0.15 MPa for N.C. type (AD37 and 47). Contact SMC for psi and °F specifications.

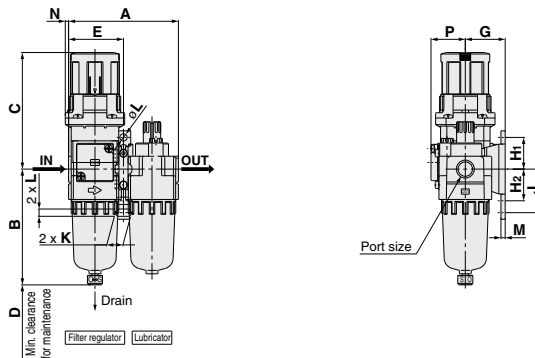
Note 3) For F.R.L. units, port sizes not in () are for standard application.

Note 4) Separate spacers are required for modular unit.

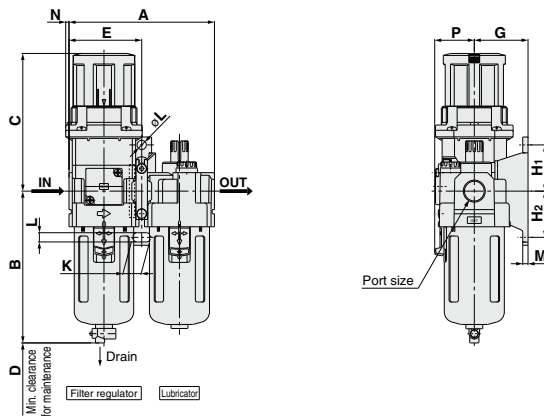
ACG20A/30A/40A Series

Dimensions

ACG20A



ACG30A/40A



Applicable model	ACG20A				ACG30A/40A				
Option/Semi-standard specifications	With auto drain (N.C.)	Metal bowl	With drain guide	With auto drain (N.O./N.C.)	Metal bowl	Metal bowl with level gauge	With drain guide	Drain cock with barb fitting	
Dimensions									

Model	Port size	Standard specifications														
		Bracket mount														
		A	B	C	D	N	P	E	G	H ₁	H ₂	J	K	L	øL	M
ACG20A	1/8, 1/4	83	87	91	60	2.5	26	41.5	30	24	24	33	12	5.5	5.5	3.2
ACG30A	1/4, 3/8	110	115	108.5	80	2.5	30	55	41	35	35	—	14	7	7	4
ACG40A	1/4, 3/8, 1/2	145	147	114.5	110	0	38	72.5	50	40	40	—	18	9	9	4

Model	Option/Semi-standard specifications <small>(Note)</small>				
	With auto drain	With barb fitting	With drain guide	Metal bowl	Metal bowl with level gauge
	B	B	B	B	B
ACG20A	105	—	91	87	—
ACG30A	156	123	122	128	148
ACG40A	186	155	154	160	180

(Note) For the option/semi-standard specifications (with auto drain, with barb fitting, with drain guide, metal bowl, or with level gauge), the total length (B dimension) will vary.

Air Combination

Air Filter + Regulator

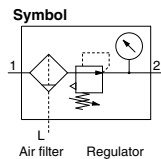
ACG20B/30B/40B Series



ACG20B



ACG40B



Standard Specifications

Model		ACG20B	ACG30B	ACG40B
Component	Air filter	AF20	AF30	AF40
	Regulator	ARG20	ARG30	ARG40
Port size		1/8 1/4	1/4 3/8	1/4 3/8 1/2
Fluid		Air		
Proof pressure		1.5 MPa		
Maximum operating pressure		1.0 MPa		
Regulating pressure range		0.05 to 0.85 MPa		
Relief pressure		Set pressure + 0.05 MPa (at relief flow rate of 0.1 L/min (ANR))		
Ambient and fluid temperature		-5 to 60°C (With no freezing)		
Nominal filtration rating		5 μm		
Regulator construction		Relieving type		
Bowl material		Polycarbonate		
Bowl guard		Semi-standard	Standard	
Weight (kg)		0.38	0.74	1.25

Attachment/Option Part No.

Description			Attachment/Option part no.		
		Model	ACG20B	ACG30B	ACG40B
Pressure gauge ⁽¹⁾	Standard	0 to 1.0 MPa	GB2-10AS	GB3-10AS	GB4-10AS
	Semi-standard	0 to 0.3 MPa	GB2-3AS	GB3-3AS	GB4-3AS
Option	Float type auto drain ⁽²⁾	Normally closed	AD27	AD37	AD47
		Normally open	—	AD38	AD48
Attachment	Spacer		Y200	Y300	Y400
	Spacer with bracket		Y200T	Y300T	Y400T
	Pressure switch ⁽³⁾ ₍₄₎		IS10M-20	IS10M-30	IS10M-40
	Residual pressure relief 3 port valve ⁽³⁾		VHS20-□01, □02	VHS30-□02, □03	VHS40-□02, □03, □04

Note 1) Contact SMC regarding pressure gauge supply for psi unit specifications.

Note 2) Minimum operating pressure: 0.1 MPa for N.O. type, 0.1 MPa for N.C. type (AD27) and 0.15 MPa for N.C. type (AD37 and 47). Contact SMC for psi and °F specifications.

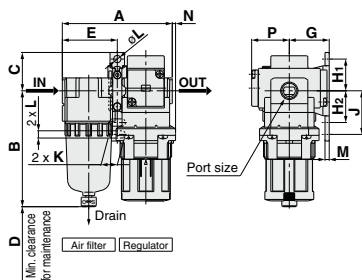
Note 3) Separate spacers are required for modular unit.

Note 4) Pressure switch cannot be mounted on the inlet and outlet sides of an ARG with an upward facing knob (semi-standard specification: -Y).

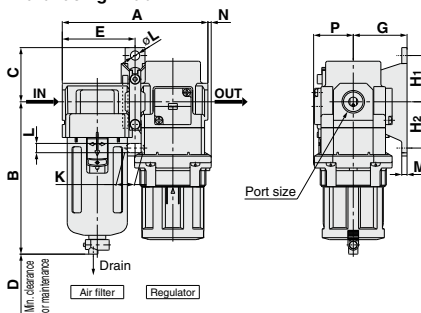
ACG20B/30B/40B Series

Dimensions

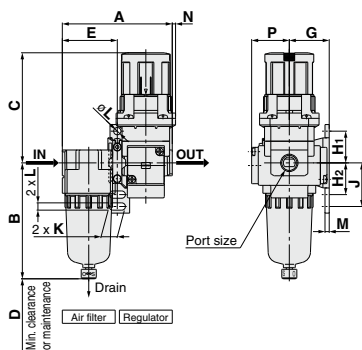
ACG20B Standard Downward facing knob



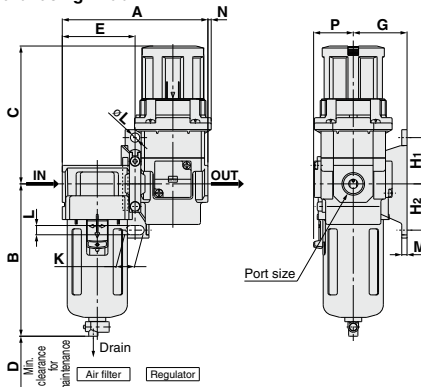
ACG30B/40B Standard Downward facing knob



ACG20B Semi-standard (-Y) Upward facing knob



ACG30B/40B Semi-standard (-Y) Upward facing knob



Applicable model Option/Semi-standard specifications	ACG20B				ACG30B/40B			
	With auto drain (N.C.)	Metal bowl	With drain guide	With auto drain (N.O./N.C.)	Metal bowl	Metal bowl with level gauge	With drain guide	Drain cock with barb fitting
Dimensions								

Model	Port size	Standard specifications														
		ACG20B					ACG30B/40B									
		A	B	C	D	N	P	Bracket mount								
		E	G	H ₁	H ₂	J	K	L	øL	M						
ACG20B	1/8, 1/4	83	87	29	60	2.5	28.5	41.5	30	— ⁽¹⁾	— ⁽¹⁾	— ⁽¹⁾	— ⁽¹⁾	— ⁽¹⁾	— ⁽¹⁾	3.2
ACG30B	1/4, 3/8	110	115	41	80	2.5	29.5	55	41	35	35	—	14	7	7	4
ACG40B	1/4, 3/8, 1/2	145	147	48	110	0	38	72.5	50	40	40	—	18	9	9	4

Model	Option/Semi-standard specifications														
	Upward facing knob ⁽²⁾						With auto drain ⁽³⁾					With barb fitting ⁽³⁾	With drain guide ⁽³⁾	Metal bowl ⁽³⁾	Metal bowl with level gauge ⁽³⁾
	C	H ₁	H ₂	J	K	L	øL	B	B	B	B	B	B	B	
ACG20B	87	24	24	33	12	5.5	5.5	105	—	—	91	87	—		
ACG30B	108.5	35	35	—	14	7	7	156	123	122	128	148	—		
ACG40B	114.5	40	40	—	18	9	9	186	155	154	160	180	—		

Note 1) In the case of the ACG20B's standard specification (downward facing knob), the wall mounting is not possible using the lower side mounting hole on the spacer with a bracket. Contact SMC.

Note 2) In the case of the upward facing knob in the semi-standard specification, the C dimension will change. Also, in the case of the ACG20B, wall mounting is possible by using the lower side mounting hole on the spacer with a bracket.

Note 3) For the optional/semi-standard specifications (with auto drain, with barb fitting, with drain guide, metal bowl, or metal bowl with level gauge), the total length (B dimension) will vary.

Air Combination

Air Filter + Mist Separator + Regulator

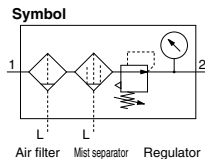
ACG20C/30C/40C Series



ACG20C



ACG40C



Standard Specifications

Model		ACG20C	ACG30C	ACG40C
Component	Air filter	AF20	AF30	AF40
	Mist separator	AFM20	AFM30	AFM40
	Regulator	ARG20	ARG30	ARG40
Port size		1/8 1/4	1/4 3/8	1/4 3/8 1/2
Fluid		Air		
Proof pressure		1.5 MPa		
Maximum operating pressure		1.0 MPa		
Regulating pressure range		0.05 to 0.85 MPa		
Rated flow (L/min (ANR)) ⁽¹⁾		200	450	1100
Relief pressure		Set pressure + 0.05 MPa (at relief flow rate of 0.1 L/min (ANR))		
Ambient and fluid temperature		-5 to 60°C (With no freezing)		
Nominal filtration rating		AF: 5 μm; AFM: 0.3 μm (Filtration efficiency 99.9 %)		
Outlet side oil mist concentration		Maximum 1.0 mg/m ³ (ANR) (approx. 0.8 ppm) ⁽²⁾⁽³⁾		
Regulator construction		Relieving type		
Bowl material		Polycarbonate		
Bowl guard		Semi-standard	Standard	
Weight (kg)		0.53	1.06	1.89

Note 1) Condition: Mist separator inlet pressure 0.7 MPa. The rated flow varies depending on the inlet pressure. Keep the air flow within the rated flow to prevent an outflow of lubricant to the outlet side.

Note 2) At compressor discharge 30 mg/m³ (ANR).

Note 3) Bowl O-ring and other O-rings are slightly lubricated.

Attachment/Option Part No.

Description			Attachment/Option part no.		
		Model	ACG20C	ACG30C	ACG40C
Pressure gauge ⁽¹⁾	Standard	0 to 1.0 MPa	GB2-10AS	GB3-10AS	GB4-10AS
	Semi-standard	0 to 0.3 MPa	GB2-3AS	GB3-3AS	GB4-3AS
Option	Float type auto drain ⁽²⁾	Normally closed	AD27	AD37	AD47
		Normally open	—	AD38	AD48
Attachment	Spacer		Y200	Y300	Y400
	Spacer with bracket		Y200T	Y300T	Y400T
	Pressure switch ⁽³⁾		IS10M-20	IS10M-30	IS10M-40
	Residual pressure relief 3 port valve ⁽³⁾		VHS20-□01, □02	VHS30-□02, □03	VHS40-□02, □03, □04

Note 1) Contact SMC regarding pressure gauge supply for psi unit specifications.

Note 2) Minimum operating pressure: 0.1 MPa for N.O. type, 0.1 MPa for N.C. type (AD27) and 0.15 MPa for N.C. type (AD37 and 47). Contact SMC for psi and °F specifications.

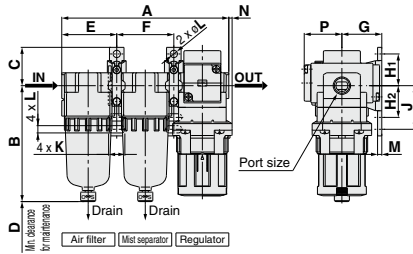
Note 3) Separate spacers are required for modular unit.

Note 4) Pressure switch cannot be mounted on the inlet and outlet sides of an ARG with an upward facing knob (semi-standard specification: -Y).

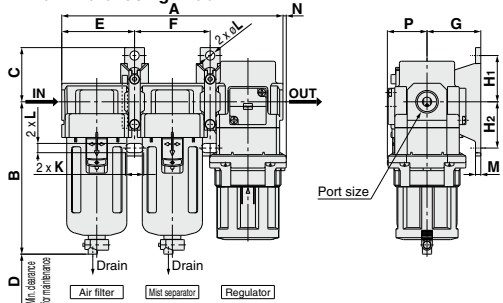
ACG20C/30C/40C Series

Dimensions

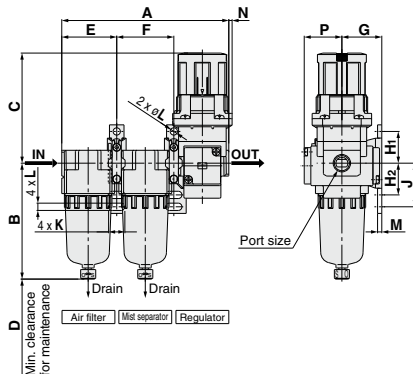
ACG20C Standard Downward facing knob



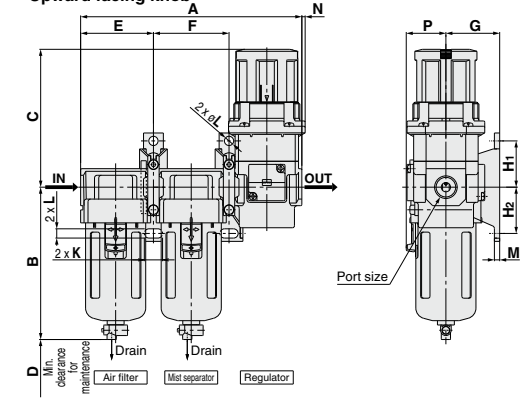
ACG30C/40C Standard Downward facing knob



ACG20C Semi-standard (-Y) Upward facing knob



ACG30C/40C Semi-standard (-Y) Upward facing knob



Applicable model Option/Semi-standard specifications	ACG20C				ACG30C/40C			
	With auto drain (N.C.)	Metal bowl	With drain guide	With auto drain (N.O./N.C.)	Metal bowl	Metal bowl with level gauge	With drain guide	Drain cook with barb fitting
Dimensions								

Model	Port size	Standard specifications															
		A	B	C	D	N	P	Bracket mount									
		E	F	G	H ₁	H ₂	J	K	L	øL	M						
ACG20C	1/8, 1/4	126	87	29	60	2.5	28.5	41.5	43	30	24	— ⁽¹⁾	— ⁽¹⁾	— ⁽¹⁾	— ⁽¹⁾	5.5	3.2
ACG30C	1/4, 3/8	167	115	41	80	2.5	30	55	57	41	35	35	—	14	7	7	4
ACG40C	1/4, 3/8, 1/2	220	147	48	110	0	38	72.5	75	50	40	40	—	18	9	9	4

Model	Option/Semi-standard specifications													
	Upward facing knob ⁽²⁾				With auto drain ⁽³⁾	With barb fitting ⁽³⁾	With drain guide ⁽³⁾	Metal bowl ⁽³⁾	Metal bowl with level gauge ⁽³⁾					
	C	H ₂	J	K	L	B	B	B	B	B	B	B	B	B
ACG20C	87	24	33	12	5.5	105	—	91	87	87	87	87	87	—
ACG30C	108.5	35	—	14	7	156	123	122	128	128	128	128	128	148
ACG40C	114.5	40	—	18	9	186	155	154	160	160	160	160	160	180

Note 1) In the case of the ACG20C's standard specification (downward facing knob), the wall mounting is not possible using the lower side mounting hole on the spacer with a bracket. Use the upper side mounting hole when wall mounting.

Note 2) In the case of the upward facing knob in the semi-standard specification, the C dimension will change. Also, in the case of the ACG20C, wall mounting is possible by using the lower side mounting hole on the spacer with a bracket.

Note 3) For the option/semi-standard specifications (with auto drain, with barb fitting, with drain guide, metal bowl, or metal bowl with level gauge), the total length (B dimension) will vary.

Air Combination

Filter Regulator + Mist Separator

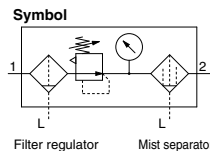
ACG20D/30D/40D Series



ACG20D



ACG40D



Standard Specifications

Model		ACG20D	ACG30D	ACG40D
Component	Filter regulator	AWG20	AWG30	AWG40
	Mist separator	AFM20	AFM30	AFM40
Port size		1/8 1/4	1/4 3/8	1/4 3/8 1/2
Fluid		Air		
Proof pressure		1.5 MPa		
Maximum operating pressure		1.0 MPa		
Regulating pressure range		0.05 to 0.85 MPa		
Rated flow (L/min (ANR)) ⁽¹⁾		150	330	800
Relief pressure		Set pressure + 0.05 MPa (at relief flow rate of 0.1 L/min (ANR))		
Ambient and fluid temperature		-5 to 60°C (With no freezing)		
Nominal filtration rating		AWG: 5 µm; AFM: 0.3 µm (Filtration efficiency 99.9%)		
Outlet side oil mist concentration		Maximum 1.0 mg/m ³ (ANR) (approx. 0.8 ppm) ⁽²⁾⁽³⁾		
Regulator construction		Relieving type		
Bowl material		Polycarbonate		
Bowl guard		Semi-standard		Standard
Weight (kg)		0.43	0.85	1.52

Note 1) Condition: Mist separator inlet pressure 0.5 MPa. The rated flow varies depending on the inlet pressure. Keep the air flow within the rated flow to prevent an outflow of lubricant to the outlet side.

Note 2) At compressor discharge 30 mg/m³ (ANR).

Note 3) Bowl O-ring and other O-rings are slightly lubricated.

Attachment/Option Part No.

Description			Attachment/Option part no.		
Model			ACG20D	ACG30D	ACG40D
Pressure gauge ⁽¹⁾	Standard	0 to 1.0 MPa	GB2-10AS	GB3-10AS	GB4-10AS
	Semi-standard	0 to 0.3 MPa	GB2-3AS	GB3-3AS	GB4-3AS
Option	Float type auto drain ⁽²⁾	Normally closed	AD27	AD37	AD47
		Normally open	—	AD38	AD48
Attachment	Spacer		Y200	Y300	Y400
	Spacer with bracket		Y200T	Y300T	Y400T
	Residual pressure relief 3 port valve ⁽³⁾		VHS20-□01, □02	VHS30-□02, □03	VHS40-□02, □03, □04

Note 1) Contact SMC regarding pressure gauge supply for psi unit specifications.

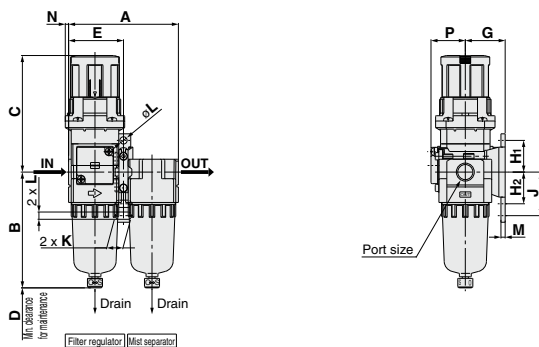
Note 2) Minimum operating pressure: 0.1 MPa for N.O. type, 0.1 MPa for N.C. type (AD27) and 0.15 MPa for N.C. type (AD37 and 47). Contact SMC for psi and °F specifications.

Note 3) Separate spacers are required for modular unit.

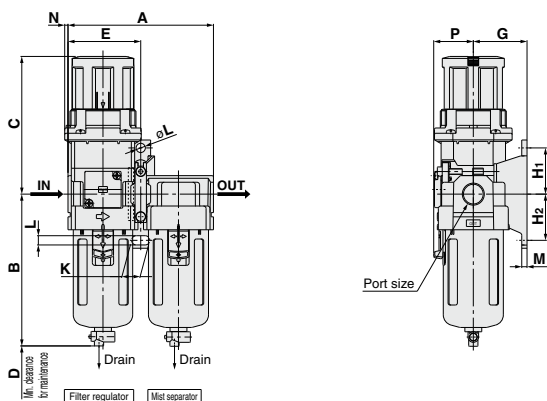
ACG20D/30D/40D Series

Dimensions

ACG20D



ACG30D/40D



Applicable model Option/Semi-standard specifications	ACG20D				ACG30D/40D			
	With auto drain (N.C.)	Metal bowl	With drain guide	With auto drain (N.O./N.C.)	Metal bowl	Metal bowl with level gauge	With drain guide	Drain cock with barb fitting
Dimensions	 B M5 x 0.8	 B	 B 1/8 Width across flats 17	 B N.O.: Black N.C.: Gray ø10 One-touch fitting	 B	 B	 B 1/4 Width across flats 17	 B Barb fitting Applicable tubing: T0804

Model	Port size	Standard specifications														
		Bracket mount														
		A	B	C	D	N	P	E	G	H ₁	H ₂	J	K	L	øL	M
ACG20D	1/8, 1/4	83	87	91	60	2.5	26	41.5	30	24	24	33	12	5.5	5.5	3.2
ACG30D	1/4, 3/8	110	115	108.5	80	2.5	30	55	41	35	35	—	14	7	7	4
ACG40D	1/4, 3/8, 1/2	145	147	114.5	110	0	38	72.5	50	40	40	—	18	9	9	4

Model	Option/Semi-standard specifications ^(Note)				
	With auto drain	With barb fitting	With drain guide	Metal bowl	Metal bowl with level gauge
	B	B	B	B	B
ACG20D	105	—	91	87	—
ACG30D	156	123	122	128	148
ACG40D	186	155	154	160	180

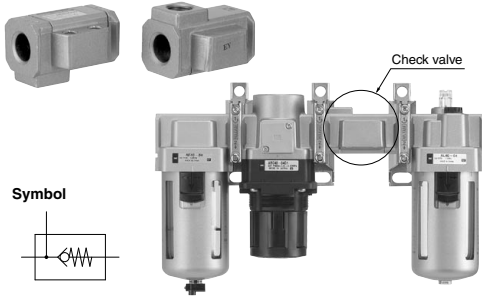
Note) For the option/semi-standard specifications (with auto drain, with barb fitting, with drain guide, metal bowl, or metal bowl with level gauge), the total length (B dimension) will vary.

ACG Series Air Combination Attachments

ROHS

Check Valve (K): 1/8, 1/4, 3/8

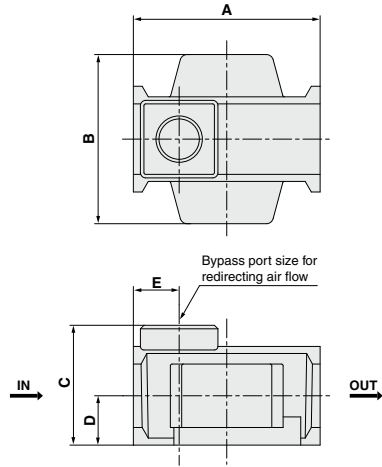
A check valve with intermediate air release port can be easily installed to prevent a back flow of lubricant when redirecting the air flow and releasing the air on the outlet side of the regulator.



Specifications

Model	Effective area (mm ²)
AKM2000	28
AKM3000	55
AKM4000	111

Be sure to use above check valves when redirecting the air flow on the inlet side of the lubricator. Threads for IN and OUT ports are not machined.



Model	Bypass port size	A	B	C	D	E	Applicable model
AKM2000	1/8, 1/4	40	40	28	11	11	ACG20/ACG20A
AKM3000	1/8, 1/4	53	48	34	14	13	ACG30/ACG30A
AKM4000	1/4, 3/8	70	54	42	18	15	ACG40/ACG40A

* Refer to the Standard Specifications and Attachment on pages 604 or 607 for the standard bypass port size when the check valve is used with ACG.

How to Order

AKM 30 00 - 01

Check valve

Body size

20	30	40
----	----	----

Bypass port size for redirecting air flow

Symbol	Port size	Body size		
		20	30	40
01	1/8	●	●	—
02	1/4	●	●	●
03	3/8	—	—	●

Thread type

Nil	Rc
N	NPT
F	G

AC-A

AF-A

AF□-A

AR-A

AL-A

AW-A

AC-B

AF-A

AF□-A

AR-B

AL-A

AW-B

AW□

AF□G

E□

AV

AF

ACG Series

Pressure Switch (S)

A compact integrated pressure switch can be easily installed and facilitates the pressure detection of the line.

IS10M-30 - -

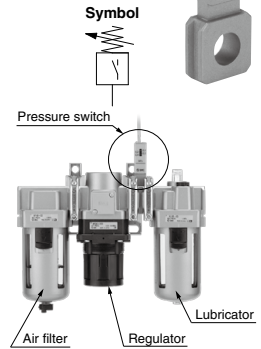
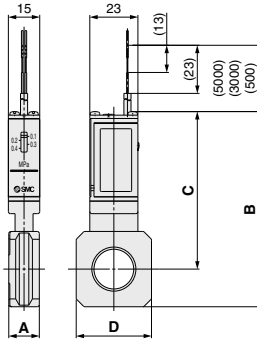
① ②

Semi-standard: Select one each for a to c.
Semi-standard symbol: When more than one specification is required, indicate in alphanumeric order.
Example) IS10M-30-6LP

		Symbol	Description	①			
				Body size			
				20	30	40	
② Semi-standard	a	Set pressure range	Nil	0.1 to 0.4 MPa	●	●	●
			6	Note 1) 0.1 to 0.6 MPa	●	●	●
			+				
	b	Lead wire length	Nil	0.5 m	●	●	●
			L	3 m	●	●	●
			Z	5 m	●	●	●
		+					
	c	Pressure unit of the scale plate	Nil	MPa	●	●	●
			P	Note 2) MPa/psi dual scale	●	●	●

Note 1) Set pressure range of 6P (L, Z) is 0.2 to 0.6 MPa (30 to 90 psi).

Note 2) This product is for overseas use only according to the new Measurement Law.
(The SI unit type is provided for use in Japan.)



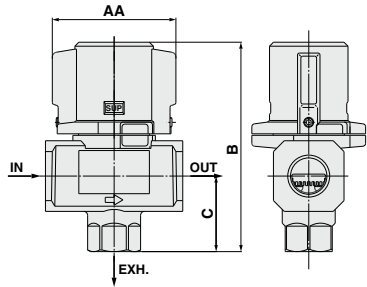
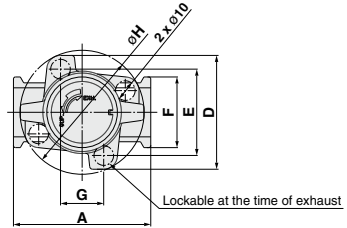
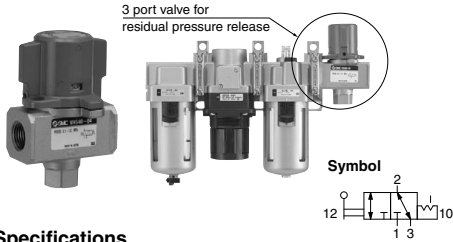
Model	A	B	C	D	Applicable model
IS10M-20	11	74	64	28	ACG20, ACG20B, ACG20C
IS10M-30	13	85	71	30	ACG30, ACG30B, ACG30C
IS10M-40	15	93	75	36	ACG40, ACG40B, ACG40C

Note) Separate spacers are required for modular unit.

Note) For detailed specifications on the IS10 series, please refer to Best Pneumatics No.8.

Pressure Relief 3 Port Valve (V)

With the use of a 3 port valve for residual pressure release, pressure left in the line can be easily exhausted.



Specifications

Model	Port size		Effective area (mm ²) (): Effective Area mm ² (Cv)	
	IN,OUT	EXH.	IN → OUT	OUT → EXH.
VHS20	1/8	1/8	10 (0.54)	11 (0.60)
	1/4		14 (0.76)	16 (0.87)
VHS30	1/4	1/4	16 (0.87)	14 (0.76)
	3/8		31 (1.68)	29 (1.57)
VHS40	1/4	3/8	27 (1.46)	36 (1.95)
	3/8		38 (2.06)	40 (2.17)
	1/2		55 (2.98)	42 (2.28)

Note) Use an air filter on the IN side for operating protection.

How to Order

VHS 30 - **03** -

Pressure relief 3 port valve

Body size

Symbol	Applicable model
20	ACG20
30	ACG30
40	ACG40

Thread type

Nil	Rc
N	NPT
F	G

Port size

Symbol	Port size	Body size		
		20	30	40
01	1/8	●	—	—
02	1/4	●	●	●
03	3/8	—	●	●
04	1/2	—	—	●

Model	(mm)								
	A	AA	B	C	D	E	F	G	H
VHS20	40	34	59	20	45	33	28	—	45
VHS30	53	46	78	29	55	42	30	—	55
VHS40	70	63	107	39	58	44	36	22	63

Caution

- If a tube, a stop valve or a silencer is connected to the exhaust port of VHS20/30, the effective sectional area should be larger than the figure indicated in the following table, to prevent malfunction caused by back pressure. (This is not applicable to VHS40)

Model	Effective area (mm ²)
VHS20	5
VHS30	5

Semi-standard

Code	Description
R	Flow direction: Right to left
Z ⁽¹⁾	Name plate in imperial units (psi, °F)

Note 1) Only for the NPT thread.
This product is for overseas use only according to the new Measurement Law. (The SI unit type is provided for use in Japan.)

AC-A

AF-A

AF□-A

AR-A

AL-A

AW-A

AC-B

AF-A

AF□-A

AR□-A

AL-A

AW□-A

AW□

AF□G

E□

AV

AF

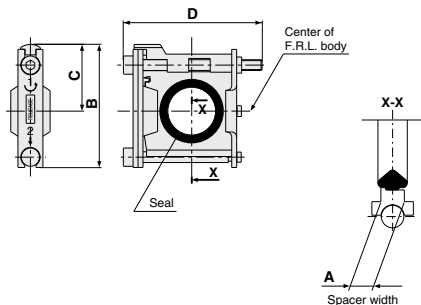
ACG Series Spacers and Brackets Accessories

Spacer



Y200

Y400

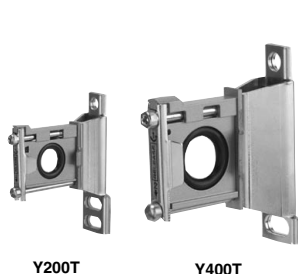


Model	A	B	C	D	Applicable model
Y200	3	35.5	18.5	48	ACG20□
Y300	4	47	26	59	ACG30□
Y400	5	57	31	65	ACG40□

Replacement Parts

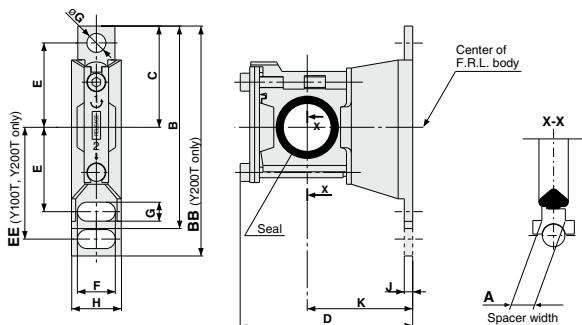
Description	Material	Part no.		
		Y200	Y300	Y400
Seal	HNBR	Y200P-061S	Y300P-060S	Y400P-060S

Spacer with Bracket



Y200T

Y400T





Model	A	B	BB	C	D	E	EE	F	G	øG	H	J	K	Applicable model
Y200T	3	—	67	29	53	24	33	12	5.5	5.5	19	3.2	30	ACG20□
Y300T	4	82	—	41	68	35	—	14	7	7	21	4	41	ACG30□
Y400T	5	96	—	48	81.5	40	—	18	9	9	26	4	50	ACG40□

Replacement Parts

Description	Material	Part no.		
		Y200T	Y300T	Y400T
Seal	HNBR	Y200P-061S	Y300P-060S	Y400P-060S

Modular Type Regulator with Built-in Pressure Gauge **ARG Series**

Regulator with Built-in Pressure Gauge ARG Series	Model	Port size	Accessory
 <p data-bbox="115 655 284 676">Pages 620 to 623</p>	ARG20	1/8, 1/4	Bracket Set nut for changing the mounting angle of pressure gauges
	ARG30	1/4, 3/8	
	ARG40	1/4, 3/8, 1/2	
 <p data-bbox="115 971 284 992">Pages 624 to 628</p>	ARG20K	1/8, 1/4	
	ARG30K	1/4, 3/8	
	ARG40K	1/4, 3/8, 1/2	

- AC-A
- AF-A
- AF□-A
- AR-A
- AL-A
- AW-A
- AC-B
- AF-A
- AF□-A
- AR[Ⓐ]
- AL-A
- AW[Ⓐ]
- AW□
- AF[Ⓐ]G
- E□
- AV
- AF

Regulator with Built-in Pressure Gauge

ARG20/30/40 Series

How to Order



ARG20



ARG40

ARG 20 - 01 G1 - -

Body size

Symbol	Port size
20	1/8
30	3/8
40	1/2

Thread type

Symbol	Type
Nil	Rc
N	NPT
F	G

Port size

Symbol	Port size	Body size		
		20	30	40
01	1/8	●	—	—
02	1/4	●	●	●
03	3/8	—	●	●
04	1/2	—	—	●

Option (1)

Symbol	Description
Nil	—
B	With bracket (With set nuts)

Made to Order

(Refer to pages 629 and 630 for details.)

Symbol	Specification
X406	Setting and pressure gauge full span 0.4 MPa
X2101	Special pressure gauge mounting angle (45°, 135°, 225°, 315°)

Semi-standard

Symbol	Description
Nil	—
1 ⁽²⁾	0.02 to 0.2 MPa setting
N	Non-relieving type
Z ⁽³⁾	Name plate and pressure gauge in imperial units (psi)

* When more than one specification is required, indicate in ascending alphanumeric order.

Note 2) Adjusting spring and pressure gauge (full-span 0.3 MPa) are different from those for the standard specification.

All products can be set at 0.2 MPa or more.

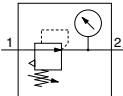
Note 3) For thread type NPT.

This product is for overseas use only according to the new Measurement Law. (The SI unit type is provided for use in Japan.)

Option (2)

Symbol	Description
Nil	—
H	With set nuts

Symbol



Mounting Angle of Pressure Gauge

Symbol	G1	G2	G3	G4
Mounting angle	0°	90°	180°	270°
Mounting angle view				

* Mounting angles other than 45°, 135°, 225° and 315° are available through the Made to Order (page 630).

* Possible to change to the optional mounting angles.

For details, refer to page 642, "Procedure for replacing or changing the mounting angle of a pressure gauge".

⊙: Combination available

□: Combination not available

△: Available only with NPT thread

Option/Semi-standard Combinations

Option/Semi-standard specifications		Combination		Semi-standard			Applicable regulator
		Symbol	Option	1	N	Z	
Option	With bracket	B		⊙	⊙	△	⊙
	With set nut	H		⊙	⊙	△	⊙
Semi-standard	0.02 to 0.2 MPa setting	-1	⊙	⊙	⊙	△	⊙
	Non-relieving type	-N	⊙	⊙	⊙	△	⊙
	Name plate and pressure gauge in imperial units (psi)	-Z	△	△	△	△	△

Regulator with Built-in Pressure Gauge **ARG20/30/40 Series**

Standard Specifications

Model	ARG20	ARG30	ARG40
Port size	1/8, 1/4	1/4, 3/8	1/4, 3/8, 1/2
Fluid	Air		
Proof pressure	1.5 MPa		
Maximum operating pressure	1.0 MPa		
Regulating pressure range	0.05 to 0.85 MPa		
Relief pressure	Set pressure + 0.05 MPa (at relief flow rate of 0.1 L/min (ANR))		
Ambient and fluid temperature	-5 to 60°C (With no freezing)		
Construction	Relieving type		
Weight (kg)	0.21	0.40	0.57

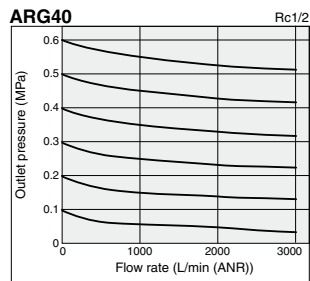
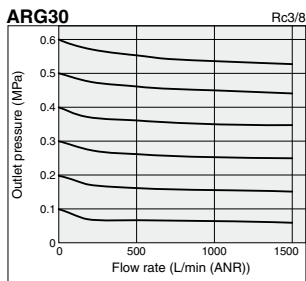
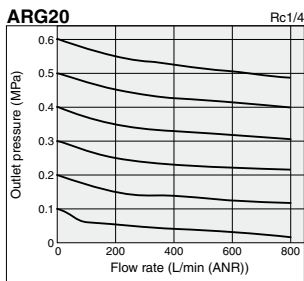
Option Part No.

Option		Applicable model	ARG20	ARG30	ARG40	
Bracket assembly ⁽¹⁾			ARG20P-270AS	ARG30P-270AS	ARG40P-270AS	
Set nut			ARG20P-260S	ARG30P-260S	ARG40P-260S	
Pressure gauge	Pressure gauge display range	Standard	0 to 1.0 MPa	GB2-10AS	GB3-10AS	GB4-10AS
			0 to 0.3 MPa	GB2-3AS	GB3-3AS	GB4-3AS
		Semi-standard	0 to 150 psi	GB2-P10AS	GB3-P10AS	GB4-P10AS
			0 to 45 psi	GB2-P3AS	GB3-P3AS	GB4-P3AS

Note 1) Assembly includes a bracket and set nuts.

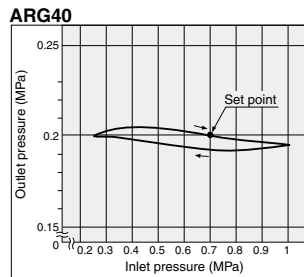
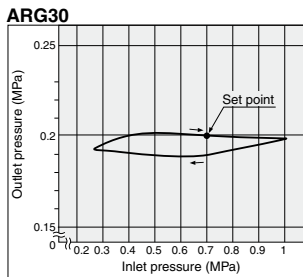
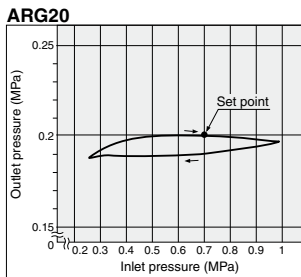
Flow Rate Characteristics (Representative Values)

Condition: Inlet pressure 0.7 MPa



Pressure Characteristics (Representative Values)

Conditions: Inlet pressure 0.7 MPa, Outlet pressure 0.2 MPa, Flow rate 20 L/min (ANR)



ARG20/30/40 Series

⚠ Specific Product Precautions

Be sure to read this before handling the products.
Refer to back page 50 for Safety Instructions and pages 387 to 391 for F.R.L. Precautions.

Selection

⚠ Warning

1. Releasing the inlet pressure does not mean that all residual pressure is released (the outlet pressure cannot be released). When releasing residual pressure, use a regulator with a backflow function.

Mounting and Adjustment

⚠ Warning

1. Set the regulator while verifying the displayed values of the inlet and outlet pressure gauges. Turning the regulator knob excessively can cause damage to the internal parts.
2. Do not use tools on the pressure regulator knob as this may cause damage. It must be operated manually.

⚠ Caution

1. Be sure to unlock the knob before adjusting the pressure and lock it after setting the pressure.

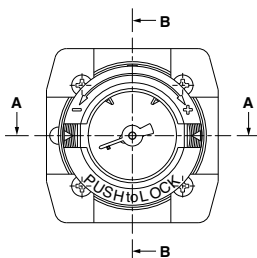
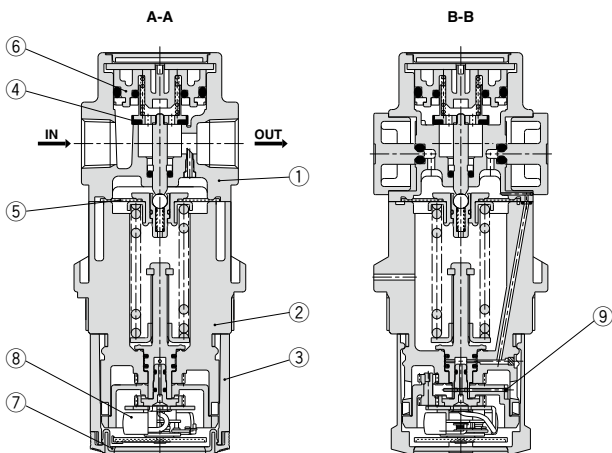
Failure to follow this procedure can cause damage to the knob and the outlet pressure may fluctuate.

- Pull the pressure regulator knob to unlock. (You can visually verify this with the "orange mark" that appears in the gap.)
- Push the pressure regulator knob to lock. When the knob is not easily locked, turn it left and right a little and then push it (when the knob is locked, the "orange mark", i.e., the gap will disappear).



2. When using the regulator between a solenoid valve and an actuator, check the pressure gauge periodically.

Construction



Component Parts

No.	Description	Material			Note
		ARG20	ARG30	ARG40	
1	Body	ADC			Platinum silver
2	Bonnet	PBT			Black
3	Knob	POM			Black

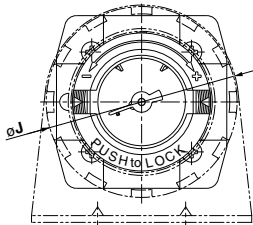
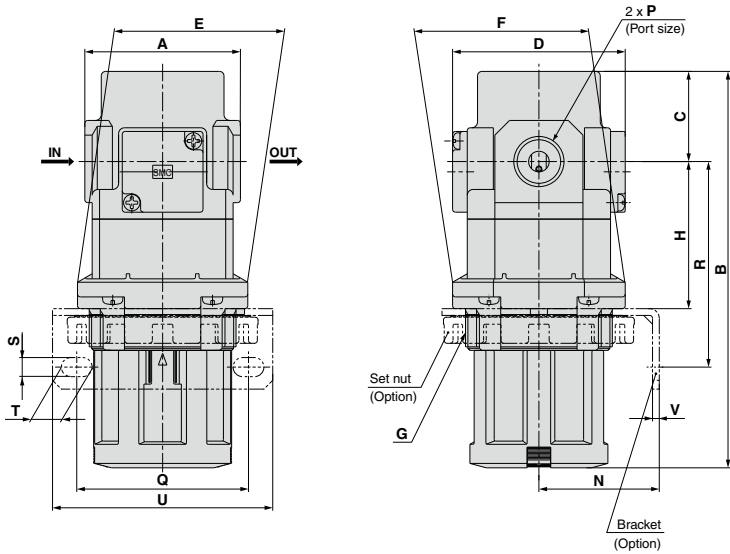
Replacement Parts

No.	Description	Material	Qty.	Part no.		
				ARG20	ARG30	ARG40
4	Valve	Brass, HNBR	1	AR20P-410S	AR30P-410S	AR40P-410S
5	Diaphragm assembly	Weatherability NBR	1	AR20P-150AS	AR30P-150AS	AR40P-150AS
6	Valve guide assembly	POM, NBR	1	AR20P-050AS	AR30P-050AS	AR40P-050AS
7	Pressure gauge cover	PC	1	ARG20P-400S	ARG30P-400S	ARG40P-400S
8	Pressure gauge	—	1	GB2-10AS	GB3-10AS	GB4-10AS
9	Clip	Stainless steel	1	ARG20P-420S	ARG30P-420S	ARG40P-420S

Note) Only the standard part numbers are listed in the pressure gauges. For the optional part numbers, refer to page 621.

Regulator with Built-in Pressure Gauge **ARG20/30/40 Series**

Dimensions



Panel fitting dimension

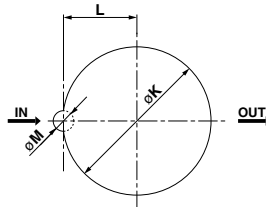


Plate thickness
ARG20 to 40: Max. 3.5

- AC-A
- AF-A
- AF□-A
- AR-A
- AL-A
- AW-A
- AC-B
- AF-A
- AF□-A
- AR-B
- AL-A
- AW-B
- AW□
- AF-G
- E□
- AV
- AF

Model	Standard specifications								Option specifications												
	P	A	B (Note)		C	D	E	F	G	Panel mount						Bracket mount					
			H	J						K	L	M	Q	U	T	S	R	V	N		
ARG20	1/8, 1/4	40	114	26.5	57	45	47	M39 x 1.5	38	52.5	39.5	19.5	6	48	65	10.4	5.4	60	2.3	35	
ARG30	1/4, 3/8	53	138.5	31	59	58	59	M50 x 1.5	50	65	50.5	25	7	58.5	75	10.5	6.5	70	2.3	45	
ARG40	1/4, 3/8, 1/2	70	150.5	36	68	70	70	M55 x 1.5	54	70	55.5	27.5	7	65.5	85	12.5	8.5	75	2.3	50	

Note) Full length dimension B is measured when the knob is unlocked.

Regulator with Built-in Pressure Gauge with Backflow Function

ARG20K/30K/40K Series

How to Order

ARG 20 K - 01 G1 - -



ARG20K



ARG40K

Body size

Symbol	Port size
20	1/8
30	3/8
40	1/2

With backflow function

Thread type

Symbol	Type
Nil	Rc
N	NPT
F	G

Port size

Symbol	Port size	Body size		
		20	30	40
01	1/8	●	—	—
02	1/4	●	●	●
03	3/8	—	●	●
04	1/2	—	—	●

Option (1)

Symbol	Description
Nil	—
B	With bracket (With set nuts)

Option (2)

Symbol	Description
Nil	—
H	With set nuts

Made to Order

(Refer to pages 629 and 630 for details.)

Symbol	Specifications
X406	Setting and pressure gauge full span 0.4 MPa
X2101□	Special pressure gauge mounting angle (45°, 135°, 225°, 315°)

Semi-standard

Symbol	Description
Nil	—
1 ⁽²⁾	0.02 to 0.2 MPa setting
N	Non-relieving type
Z ⁽²⁾	Name plate and pressure gauge in imperial units (psi)

* When more than one specification is required, indicate in ascending alphanumeric order.

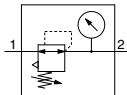
Note 2) Adjusting spring and pressure gauge (full-span 0.3 MPa) are different from those for the standard specification.

All products can be set at 0.2 MPa or more.

Note 3) For thread type NPT.

This product is for overseas use only according to the new Measurement Law. (The SI unit type is provided for use in Japan.)

Symbol



Mounting Angle of Pressure Gauge

Symbol	G1	G2	G3	G4
Mounting angle	0°	90°	180°	270°
Mounting angle view				

* Mounting angles other than 45°, 135°, 225° and 315° are available through the Made to Order (page 630).

* Possible to change to the optional mounting angles.

For details, refer to page 642, "Procedure for replacing or changing the mounting angle of a pressure gauge".

Option/Semi-standard Combinations

⊙: Combination available

□: Combination not available

△: Available only with NPT thread

Option/ Semi-standard specifications	Combination Symbol	Option		Semi-standard			Applicable regulator ARG20K to 40K	
		B	H	1	N	Z		
Option	With bracket	B	□	□	⊙	⊙	△	⊙
	With set nut	H	□	□	⊙	⊙	△	⊙
Semi-standard	0.02 to 0.2 MPa setting	-1	⊙	⊙	□	⊙	△	⊙
	Non-relieving type	-N	⊙	⊙	⊙	□	△	⊙
	Name plate and pressure gauge in imperial units (psi)	-Z	△	△	△	△	□	△

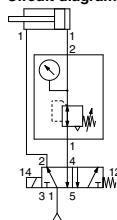
Application examples of a regulator with a backflow function

With a built-in mechanism which enables reliable discharge of air pressure from outlet to inlet

Example 1)

When the pressure in the rear and the front of the cylinder differs:

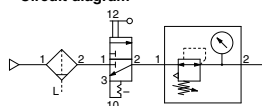
Circuit diagram



Example 2)

When the air supply is cut off and releasing the inlet pressure to the atmosphere, the residual pressure release of the outlet side can be ensured for a safety purpose.

Circuit diagram



Regulator with Built-in Pressure Gauge with Backflow Function **ARG20K/30K/40K Series**

Standard Specifications

Model	ARG20K	ARG30K	ARG40K
Port size	1/8, 1/4	1/4, 3/8	1/4, 3/8, 1/2
Fluid	Air		
Proof pressure	1.5 MPa		
Maximum operating pressure	1.0 MPa		
Regulating pressure range ⁽¹⁾	0.05 to 0.85 MPa		
Relief pressure	Set pressure + 0.05 MPa (at relief flow rate of 0.1 L/min (ANR))		
Ambient and fluid temperature	-5° to 60°C (With no freezing)		
Construction	Relieving type		
Weight (kg)	0.21	0.40	0.57

Note 1) Set the inlet pressure to 0.05 MPa or higher than the set pressure.

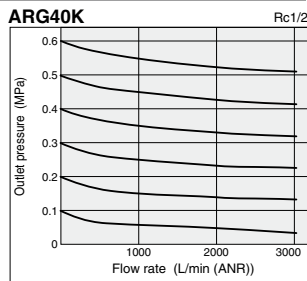
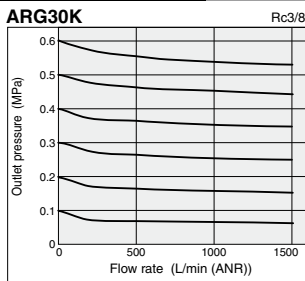
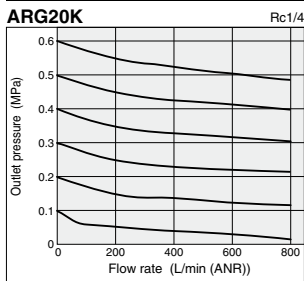
Option Part No.

Option			Applicable model	ARG20K	ARG30K	ARG40K
Bracket assembly ⁽¹⁾				ARG20P-270AS	ARG30P-270AS	ARG40P-270AS
Set nut				ARG20P-260S	ARG30P-260S	ARG40P-260S
Pressure gauge	Pressure gauge display range	Standard	0 to 1.0 MPa	GB2-10AS	GB3-10AS	GB4-10AS
			0 to 0.3 MPa	GB2-3AS	GB3-3AS	GB4-3AS
		Semi-standard	0 to 150 psi	GB2-P10AS	GB3-P10AS	GB4-P10AS
			0 to 45 psi	GB2-P3AS	GB3-P3AS	GB4-P3AS

Note 1) Assembly includes a bracket and set nuts.

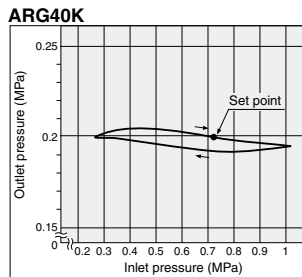
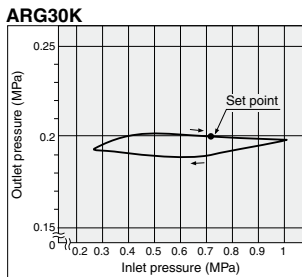
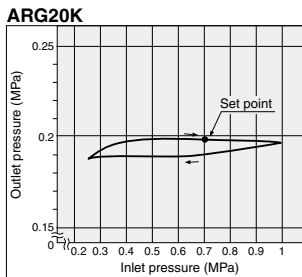
Flow Rate Characteristics (Representative Values)

Condition: Inlet pressure 0.7 MPa



Pressure Characteristics (Representative Values)

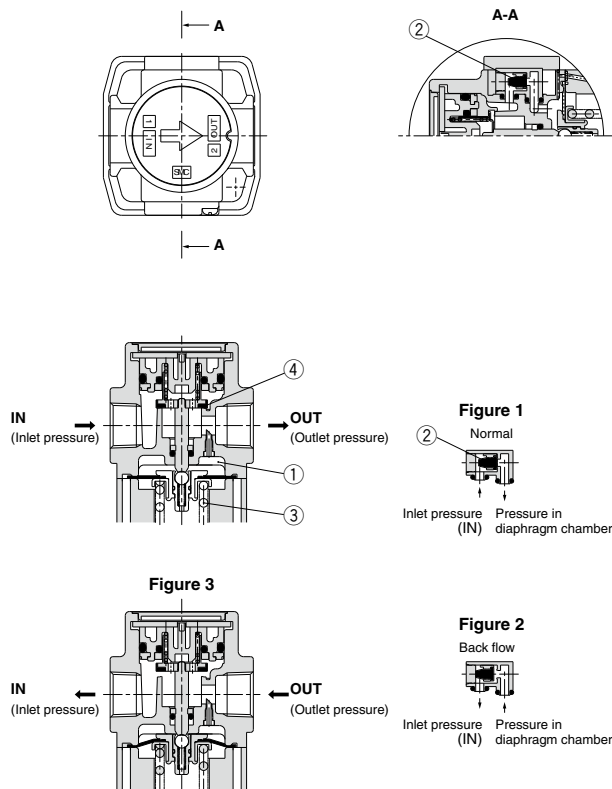
Conditions: Inlet pressure 0.7 MPa, Outlet pressure 0.2 MPa, Flow rate 20 L/min (ANR)



AC-A
AF-A
AF-A
AR-A
AL-A
AW-A
AC-B
AF-A
AF-A
AR-A
AL-A
AW-A
AW-
A-G
E-
AV
AF

ARG20K/30K/40K Series

Working Principle



When the inlet pressure (P_1) is higher than the regulating pressure, the check valve ② closes and operates as a normal regulator (Figure 1).

When the inlet pressure (P_1) is shut off and released, the check valve ② opens and the pressure in the diaphragm chamber ① is released into the inlet side (Figure 2).

This lowers the pressure in the diaphragm chamber ① and the force generated by the pressure regulator spring ③ lifts the diaphragm. Valve ④ opens through the stem, and the outlet pressure is released to the inlet side (Figure 3).

⚠ Specific Product Precautions

- Be sure to read this before handling the products.
- Refer to back page 50 for Safety Instructions and pages 387 to 391 for F.R.L. Precautions.

Mounting and Adjustment

⚠ Warning

1. Set the regulator while verifying the displayed values of the inlet and outlet pressure gauges. Turning the regulator knob excessively can cause damage to the internal parts.
2. Do not use tools on the pressure regulator knob as this may cause damage. It must be operated manually.

⚠ Caution

1. Be sure to unlock the knob before adjusting the pressure and lock it after setting the pressure. Failure to follow this procedure can cause damage to the knob and the outlet pressure may fluctuate.
 - Pull the pressure regulator knob to unlock. (You can visually verify this with the "orange mark" that appears in the gap.)
 - Push the pressure regulator knob to lock. When the knob is not easily locked, turn it left and right a little and then push it (when the knob is locked, the "orange mark", i.e., the gap will disappear).



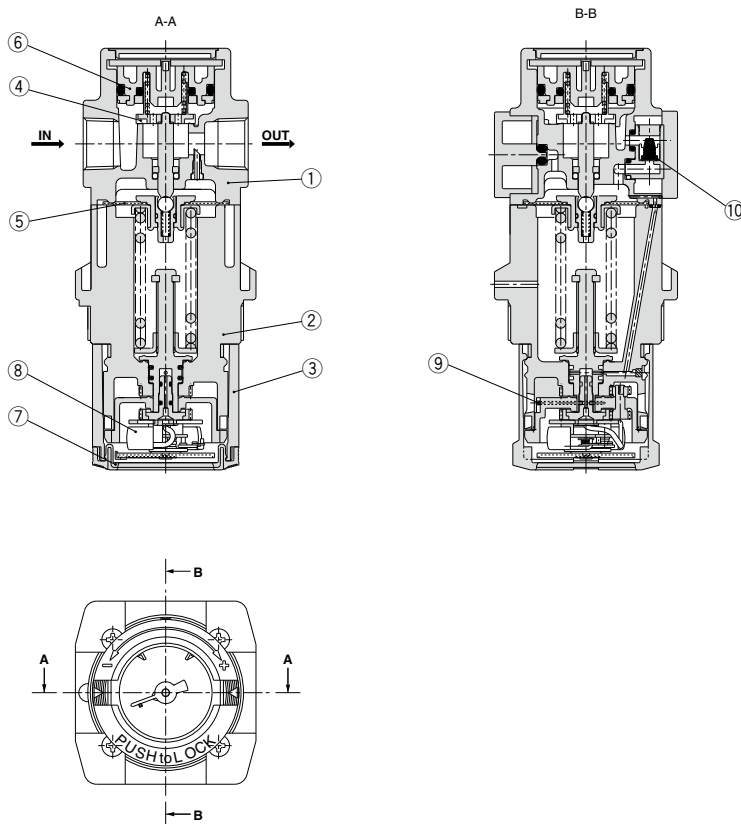
Maintenance

⚠ Warning

1. When using the regulator between a solenoid valve and an actuator, check the pressure gauge periodically. Sudden pressure fluctuations may shorten the durability of the pressure gauge.

Regulator with Built-in Pressure Gauge with Backflow Function **ARG20K/30K/40K Series**

Construction



- AC-A
- AF-A
- AF□-A
- AR-A
- AL-A
- AW-A
- AC-B
- AF-A
- AF□-A
- AR- $\frac{B}{\phi}$
- AL-A
- AW- $\frac{B}{\phi}$
- AW□
- A□G**
- E□
- AV
- AF

Component Parts

No.	Description	Material			Note
		ARG20K	ARG30K	ARG40K	
1	Body		ADC		Platinum silver
2	Bonnet		PBT		Black
3	Knob		POM		Black

Replacement Parts

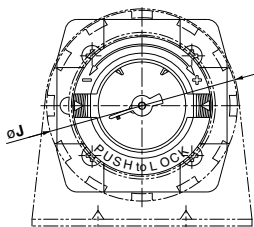
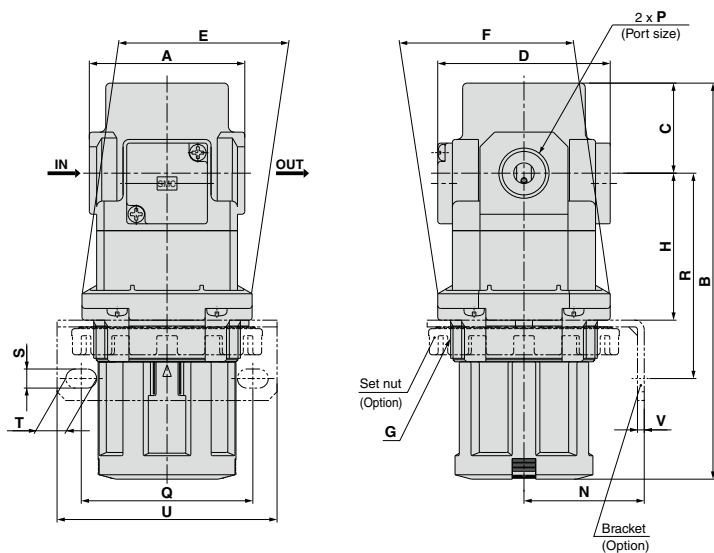
No.	Description	Material	Qty.	Part no.		
				ARG20K	ARG30K	ARG40K
4	Valve	Brass, HNBR	1	AR20P-410S	AR30P-410S	AR40P-410S
5	Diaphragm assembly	Weatherability NBR	1	AR20P-150AS	AR30P-150AS	AR40P-150AS
6	Valve guide assembly	POM, NBR	1	AR20P-050AS	AR30P-050AS	AR40P-050AS
7	Pressure gauge cover	PC	1	ARG20P-400S	ARG30P-400S	ARG40P-400S
8	Pressure gauge ⁽¹⁾	—	1	GB2-10AS	GB3-10AS	GB4-10AS
9	Clip	Stainless steel	1	ARG20P-420S	ARG30P-420S	ARG40P-420S
10	Check valve assembly ⁽²⁾	—	1	AR20KP-020AS		

Note 1) Only the standard part numbers are listed for the pressure gauges. For the optional part numbers, refer to page 625.

Note 2) Check valve assembly contains check valve, check valve cover and its screws (2 pcs).

ARG20K/30K/40K Series

Construction



Panel fitting dimension

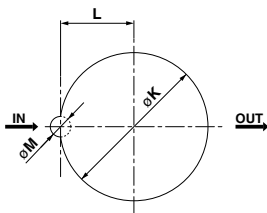


Plate thickness
ARG20K to 40K: Max. 3.5

Model	Standard specifications								Option specifications												
	P	A	B		C	D	E	F	G	Panel mount						Bracket mount					
			Note)							H	J	K	L	M	Q	U	T	S	R	V	N
ARG20K	1/8, 1/4	40	114	26.5	57	45	47	M39 x 1.5	38	52.5	39.5	19.5	6	48	65	10.4	5.4	60	2.3	35	
ARG30K	1/4, 3/8	53	138.5	31	59	58	59	M50 x 1.5	50	65	50.5	25	7	58.5	75	10.5	6.5	70	2.3	45	
ARG40K	1/4, 3/8, 1/2	70	150.5	36	68	70	70	M55 x 1.5	54	70	55.5	27.5	7	65.5	85	12.5	8.5	75	2.3	50	

Note) Full length dimension B is measured when the knob is unlocked.

Regulator with Built-in Pressure Gauge ARG20/30/40

Made to Order Specifications:



Please contact SMC for detailed dimensions, specifications and lead times.

① Setting and Pressure Gauge Full Span 0.4 MPa



ARG 20 [] - [] 01 [] G1 [] - [] - X406

Body size

Symbol	Port size
20	1/8
30	3/8
40	1/2

Thread type

Symbol	Type
NII	Rc
N	NPT
F	G

Port size

Symbol	Port size	Body size		
		20	30	40
01	1/8	●	—	—
02	1/4	●	●	●
03	3/8	—	●	●
04	1/2	—	—	●

With back flow mechanism

Symbol	Description
NII	—
K	With back flow mechanism

Semi-standard

Symbol	Description
NII	—
N	Non-relieving type
Z ⁽²⁾	Name plate and pressure gauge in imperial units (psi)

* When more than one specification is required, indicate in ascending alphanumeric order.
Note 2) For thread type NPT.
This product is for overseas use only according to the new Measurement Law. (The SI unit type is provided for use in Japan.)

Option (2)

Symbol	Description
NII	—
H	With set nuts

Option (1)

Symbol	Description
NII	—
B	With bracket (With set nuts)

Mounting Angle of Pressure Gauge

Symbol	G1	G2	G3	G4
Mounting angle	0°	90°	180°	270°
Mounting angle view				

* Mounting angles other than 45°, 135°, 225° and 315° are available through the Made to Order (page 630).
* Possible to change to the optional mounting angles.
For details, refer to page 642, "Procedure for replacing or changing the mounting angle of a pressure gauge".

Option/Semi-standard Combinations

⊙: Combination available □: Combination not available △: Available only with NPT thread

Option/Semi-standard specifications	Combination		Symbol	Option		Semi-standard		Applicable regulator	
	Symbol	Option		Semi-standard	Applicable regulator	Symbol	Option	Semi-standard	Applicable regulator
With bracket	B	□	⊙	△	⊙	△	⊙	△	
With set nut	H	□	⊙	△	⊙	△	⊙	△	
Non-relieving type	-N	⊙	⊙	□	△	□	⊙	△	
Name plate and pressure gauge in imperial units (psi)	-Z	△	△	△	□	□	△	△	

AC-A

AF-A

AF□-A

AR-A

AL-A

AW-A

AC-B

AF-A

AF□-A

AR-△

AL-A

AW-△

AW□

AF□G

E□

AV

AF

Regulator with Built-in Pressure Gauge ARG20/30/40

Made to Order Specifications:



Please contact SMC for detailed dimensions, specifications and lead times.

② Special Mounting Angle Specification of Pressure Gauge (45°, 135°, 225°, 315°)

ARG 20 - **01** **G5** - **X2101 A**

Body size

Symbol	Port size
20	1/8
30	3/8
40	1/2

Mounting angle of pressure gauge

Symbol	Description
A	45°
B	135°
C	225°
D	315°

* Refer to the table below.

With back flow mechanism

Symbol	Description
Nil	—
K	With back flow mechanism

Thread type

Symbol	Type
Nil	Rc
N	NPT
F	G

Port size

Symbol	Port size	Body size		
		20	30	40
01	1/8	●	—	—
02	1/4	●	●	●
03	3/8	—	●	●
04	1/2	—	—	●

Semi-standard

Symbol	Description
Nil	—
1 ⁽¹⁾	0.02 to 0.2 MPa setting
N	Non-relieving type
Z ⁽²⁾	Name plate and pressure gauge in imperial units (psi)

* When more than one specification is required, indicate in ascending alphanumeric order.

Note 1) Adjusting spring and pressure gauge (full-span 0.3 MPa) are different from those for the standard specification.

All products can be set at 0.2 MPa or more.

Note 2) For thread type NPT.

This product is for overseas use only according to the new Measurement Law. (The SI unit type is provided for use in Japan.)

Option (2)

Symbol	Description
Nil	—
H	With set nuts

Special pressure gauge mounting angle

Option (1)

Symbol	Description
Nil	—
B	With bracket (With set nuts)

Mounting Angle of Pressure Gauge



Symbol	X2101A	X2101B	X2101C	X2101D
Mounting angle	45°	135°	225°	315°
Mounting angle view				

- ⊙: Combination available
- : Combination not available
- △: Available only with NPT thread

Option/Semi-standard Combinations

		Combination					Applicable regulator ARG20(K) to 40(K)
Option/Semi-standard specifications		Symbol	Option	Semi-standard			
			B	H	1	N	Z
Option	With bracket	B	□	□	⊙	⊙	△
	With set nut	H	□	□	⊙	⊙	△
Semi-standard	0.02 to 0.2 MPa setting	-1	⊙	⊙	□	⊙	△
	Non-relieving type	-N	⊙	⊙	⊙	□	△
	Name plate and pressure gauge in imperial units (psi)	-Z	△	△	△	△	□

Modular Type Filter Regulator with Built-in Pressure Gauge **AWG Series**

Filter Regulator with Built-in Pressure Gauge AWG Series	Model	Port size	Nominal filtration rating	Option
 <p data-bbox="98 676 269 699">Pages 632 to 635</p>	AWG20	1/8, 1/4	5 μm	Bracket Float type auto drain Set nut for changing the mounting angle of pressure gauges
	AWG30	1/4, 3/8		
	AWG40	1/4, 3/8, 1/2		
 <p data-bbox="98 995 269 1018">Pages 636 to 640</p>	AWG20K	1/8, 1/4		
	AWG30K	1/4, 3/8		
	AWG40K	1/4, 3/8, 1/2		

AC-A
AF-A
AF□-A
AR-A
AL-A
AW-A
AC-B
AF-A
AF□-A
AR- $\frac{A}{B}$
AL-A
AW- $\frac{A}{B}$
AW□
AWG
E□
AV
AF

Filter Regulator with Built-in Pressure Gauge

AWG20/30/40 Series



How to Order

AWG **30** - **03** **G1** - - -

• **Made to Order**
(Refer to page 641 for details.)

Symbol	Specifications
X406	Setting and pressure gauge full span 0.4 MPa

• **Semi-standard**

Symbol	Description	Applicable model
Nil	—	—
1 ⁽³⁾	0.02 to 0.2 MPa setting	AWG20 to 40
2	Metal bowl	AWG20 to 40
6	Nylon bowl	AWG20 to 40
8	Metal bowl with level gauge	AWG30, 40
C	With bowl guard	AWG20
J ⁽⁴⁾	With drain guide	AWG20 to 40
N	Non-relieving	AWG20 to 40
W	Drain cock with barb fitting: $\phi 6 \times \phi 4$ nylon tubing	AWG30, 40
Z ⁽⁵⁾	Name plate, caution plate for bowl, and pressure gauge in imperial units (psi, °F)	AWG20 to 40

* When more than one specification is required, indicate in ascending alphanumeric order.
Note 3) Adjusting spring and pressure gauge (full-span 0.3 MPa) are different from those for the standard specification.

All products can be set at 0.2 MPa or more.

Note 4) Without a valve function.

Note 5) For thread type NPT.

This product is for overseas use only according to the new Measurement Law. (The SI unit type is provided for use in Japan.)

• **Option (2)**

Symbol	Description	Applicable model
Nil	—	—
H	With set nuts	AWG20 to 40

• **Body size**

Symbol	Port size
20	1/8
30	3/8
40	1/2

• **Thread type**

Symbol	Type
Nil	Rc
N ⁽¹⁾	NPT
F ⁽²⁾	G

Note 1) Drain guide: NPT 1/8 (AWG20), NPT 1/4 (AWG30 to AWG40).
Auto drain port: With $\phi 3/8"$
One-touch fitting (AWG30 to AWG40)

Note 2) Drain guide: G 1/8 (AWG20), G 1/4 (AWG30 to AWG40)

• **Port size**

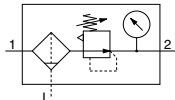
Symbol	Port size	Body size		
		20	30	40
01	1/8	—	—	—
02	1/4	●	●	●
03	3/8	—	●	●
04	1/2	—	—	●

• **Option (1)**

Symbol	Description	Applicable model
Nil	—	—
B	With bracket (With set nuts)	AWG20 to 40
C	Float type auto drain (Normally closed)	AWG20 to 40
D	Float type auto drain (Normally open)	AWG30, 40

When more than one specification is required, indicate in ascending alphanumeric order.

• **Symbol**



• **Mounting Angle of Pressure Gauge**

Symbol	G1	G2	G3	G4
Mounting angle	0°	90°	180°	270°
Mounting angle view				

* Possible to change to the optional mounting angles.

For details, refer to page 642, "Procedure for replacing or changing the mounting angle of a previous gauge".

Option/Semi-standard Combinations

⊙: Combination available

□: Combination not available

○: Varies depending on a model

△: Available only with NPT thread

Option/Semi-standard specifications	Combination Symbol	Option				Semi-standard								Applicable filter regulator		
		B	C	D	H	1	2	6	8	C	J	N	W	Z	AWG20	AWG30/40
Option																
With bracket	B	⊙	⊙	○		⊙	⊙	⊙	⊙	○	⊙	○	△		⊙	
Float type auto drain (Normally closed)	C	⊙			⊙	⊙	⊙	⊙	○		⊙		△	⊙		⊙
Float type auto drain (Normally open)	D	⊙			⊙	⊙	⊙	⊙			⊙		△			⊙
With set nut	H		⊙	○		⊙	⊙	○	○	⊙	○	○	△	⊙		⊙
Semi-standard																
0.02 to 0.2 MPa setting	-1	⊙	⊙	○	⊙		○	○	○	○	○	○	△	⊙		⊙
Metal bowl	-2	⊙	○	○	⊙					⊙	○		△	○		⊙
Nylon bowl	-6	⊙	⊙	○	⊙	⊙			○	⊙	○	○	△	⊙		⊙
Metal bowl with level gauge	-8	⊙	⊙	⊙	⊙								△			⊙
With bowl guard	-C	⊙	⊙		⊙				⊙	⊙			△	⊙		⊙
Drain guide	-J	⊙			⊙	⊙	⊙	○	○		⊙		△	⊙		⊙
Non-relieving type	-N	⊙	⊙	○	⊙	⊙	○	○	○		⊙	○	△	⊙		⊙
Drain cock with barb fitting	-W	⊙			⊙	⊙		⊙					△			⊙
Name plate, caution plate for bowl, and pressure gauge in imperial units (psi, °F)	-Z	△	△	△	△	△	△	△	△	△	△	△		△		△

Filter Regulator with Built-in Pressure Gauge **AWG20/30/40 Series**

Standard Specifications

Model	AWG20	AWG30	AWG40
Port size	1/8, 1/4	1/4, 3/8	1/4, 3/8, 1/2
Fluid	Air		
Proof pressure	1.5 MPa		
Maximum operating pressure	1.0 MPa		
Regulating pressure range	0.05 to 0.85 MPa		
Relief pressure	Set pressure + 0.05 MPa (at relief flow rate of 0.1 L/min (ANR))		
Ambient and fluid temperature	-5 to 60°C (With no freezing)		
Nominal filtration rating	5 μm		
Drain capacity (cm ³)	8	25	45
Bowl material	Polycarbonate		
Bowl guard	Semi-standard	Standard	
Construction	Relieving type		
Weight (kg)	0.26	0.51	0.86

Option Part No.

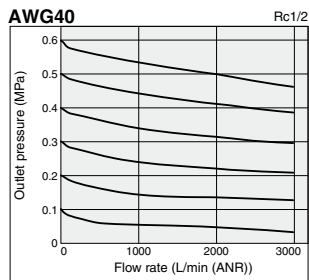
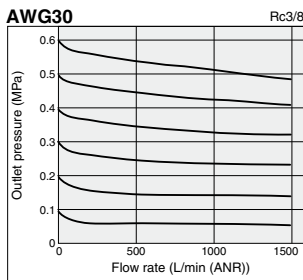
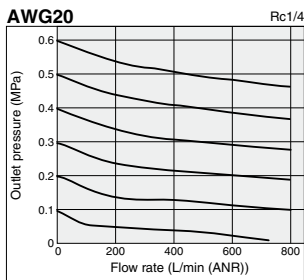
Option			Applicable model	AWG20	AWG30	AWG40
Bracket assembly ⁽¹⁾				ARG20P-270AS	ARG30P-270AS	ARG40P-270AS
Set nut				ARG20P-260S	ARG30P-260S	ARG40P-260S
Pressure gauge	Pressure gauge display range	Standard	0 to 1.0 MPa	GB2-10AS	GB3-10AS	GB4-10AS
			0 to 0.3 MPa	GB2-3AS	GB3-3AS	GB4-3AS
		Semi-standard	0 to 150 psi	GB2-P10AS	GB3-P10AS	GB4-P10AS
			0 to 45 psi	GB2-P3AS	GB3-P3AS	GB4-P3AS
Float type auto drain ⁽²⁾			Normally open	—	AD38	AD48
			Normally closed	AD27	AD37	AD47

Note 1) Assembly includes a bracket and set nuts.

Note 2) Minimum operating pressure: N.O. type=0.1 MPa; N.C. type=0.1 MPa (AD27) and 0.15 MPa (AD37/47). Contact SMC regarding the specifications for psi unit and °F.

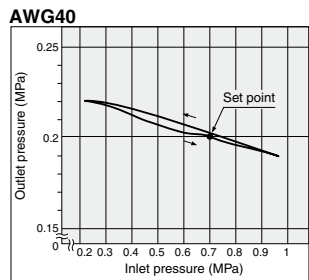
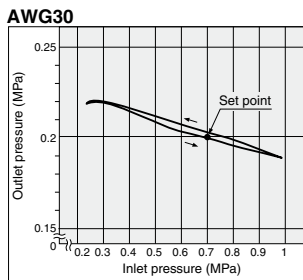
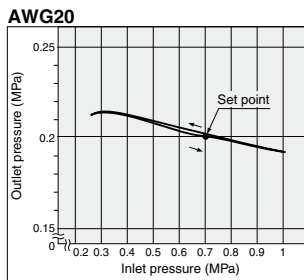
Flow Rate Characteristics (Representative Values)

Condition: Inlet pressure 0.7 MPa



Pressure Characteristics (Representative Values)

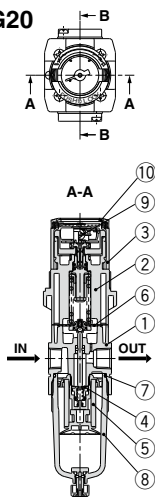
Conditions: Inlet pressure 0.7 MPa, Outlet pressure 0.2 MPa, Flow rate 20 L/min (ANR)



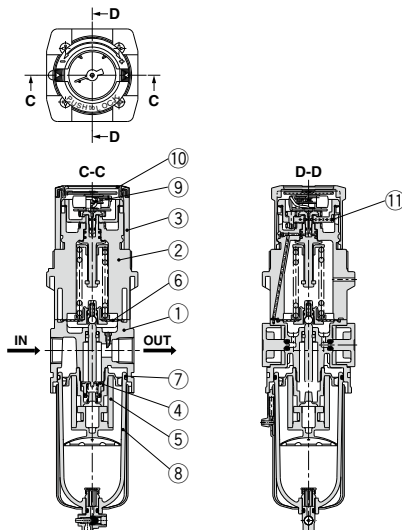
AWG20/30/40 Series

Construction

AWG20



AWG30/40



Component Parts

No.	Description	Material		Note
		AWG20	AWG30	
1	Body	ADC		Platinum silver
2	Bonnet	PBT		Black
3	Knob	POM		Black

Replacement Parts

No.	Description	Material	Qty.	Part no.		
				AWG20	AWG30	AWG40
4	Valve assembly	Brass, HNBR	1	AW20P-340AS	AW30P-340AS	AW40P-340AS
5	Filter element	Non-woven fabric	1	AF20P-060S	AF30P-060S	AF40P-060S
6	Diaphragm assembly	Weatherability NBR	1	AR20P-150AS	AR30P-150AS	AR40P-150AS
7	Bowl O-ring	NBR	1	C2SFP-260S	C3SFP-260S	C4SFP-260S
8	Bowl assembly ⁽¹⁾	PC	1	C2SF	C3SF ⁽²⁾	C4SF ⁽²⁾
9	Pressure gauge ⁽³⁾	—	1	GB2-10AS	GB3-10AS	GB4-10AS
10	Pressure gauge cover	PC	1	ARG20P-400S	ARG30P-400S	ARG40P-400S
11	Clip	Stainless steel	1	ARG20P-420S	ARG30P-420S	ARG40P-420S

Note 1) Including O-ring. Contact SMC regarding the bowl assembly supply for psi and "F" unit specifications.

Note 2) Bowl assembly for AWG30/40 includes a bowl guard (steel band material).

Note 3) Only the standard part numbers are listed in the pressure gauges. For the optional part numbers, refer to page 633.

⚠ Specific Product Precautions

Be sure to read this before handling the products.

Refer to back page 50 for Safety Instructions and pages 387 to 391 for F.R.L. Precautions.

Selection

⚠ Warning

- Residual pressure release (outlet pressure release) is not completed by releasing inlet pressure. To release residual pressure, use a filter regulator with a back flow mechanism.

Maintenance

⚠ Warning

- Replace the element every 2 years or when the pressure drop becomes 0.1 MPa, whichever comes first, to prevent damage to the element.

Mounting and Adjustment

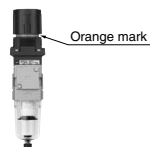
⚠ Warning

- Set the regulator while checking the displayed values of the inlet and outlet pressure gauges. Turning the knob excessively can cause damage to the internal parts.
- Do not use tools on the pressure regulator knob as this may cause damage. It must be operated manually.

- Pull the pressure regulator knob to unlock. (You can visually verify this with the "orange mark" that appears in the gap.)
- Push the pressure regulator knob to lock. When the knob is not easily locked, turn it left and right a little and then push it (when the knob is locked, the "orange mark" will disappear).

⚠ Caution

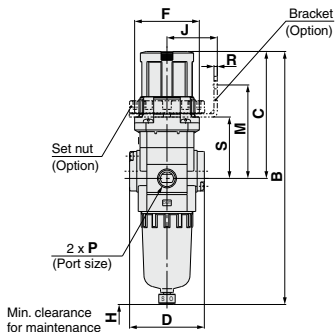
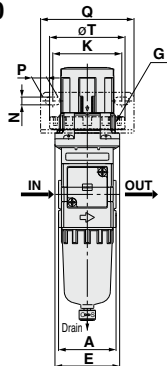
- Be sure to unlock the knob before adjusting the pressure and lock it after setting the pressure. Failure to follow this procedure can cause damage to the knob and the outlet pressure may fluctuate.



Filter Regulator with Built-in Pressure Gauge **AWG20/30/40 Series**

Dimensions

AWG20



Panel fitting dimension

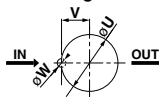
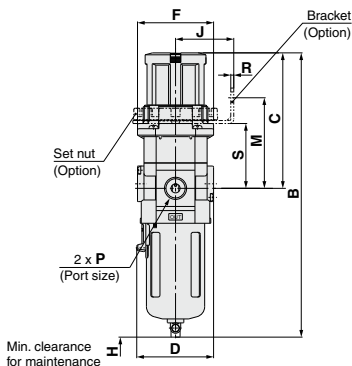
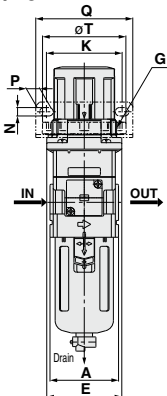


Plate thickness
AWG20: Max. 3.5

AWG30/40



Panel fitting dimension

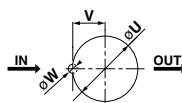


Plate thickness
AWG30/40: Max. 3.5

Applicable model Option/Semi-standard specifications	AWG20				AWG30/40			
	With auto drain (N.C.)	Metal bowl	With drain guide	With auto drain (N.O./N.C.)	Metal bowl	Metal bowl with level gauge	With drain guide	Drain cock with barb fitting
Dimensions								

Model	Standard specifications								Option specifications									
	P	A	B (Note)		C	D	E	F	G	H	Bracket mount							
			S	U							J	K	M	N	P	Q	R	
AWG20	1/8, 1/4	40	179	91	52	45	47	M39 x 1.5	40	35	48	65	5.4	10.4	65	2.3		
AWG30	1/4, 3/8	53	223.5	108.5	59	58	59	M50 x 1.5	55	45	58.5	70	6.5	10.5	75	2.3		
AWG40	1/4, 3/8, 1/2	70	261.5	114.5	75	70	70	M55 x 1.5	80	50	65.5	77	8.5	12.5	85	2.3		

Model	Option specifications					Semi-standard specifications				
	Panel mount					With auto drain	With barb fitting	With drain guide	Metal bowl	Metal bowl with level gauge
	S	U	V	W	T	B	B (Note)	B (Note)	B (Note)	B (Note)
AWG20	43	39.5	19.5	6	52.5	196	—	183	179	—
AWG30	50	50.5	25	7	65	264.5	231.5	230.5	236.5	256.5
AWG40	56	55.5	27.5	7	70	300.5	269.5	268.5	274.5	294.5

Note) Full length dimension B is measured when the knob is unlocked.

Filter Regulator with Built-in Pressure Gauge with Backflow Function

AWG20K/30K/40K Series



How to Order

AWG **30** K - **03** **G1** - -

AWG20K AWG40K

Body size

Symbol	Port size
20	1/8
30	3/8
40	1/2

With backflow function

Thread type

Symbol	Type
Nil	Rc
N ⁽¹⁾	NPT
F ⁽²⁾	G

Note 1) Drain guide: NPT 1/8 (AWG20K), NPT 1/4 (AWG30K to AWG40K); Auto drain port: With ø3/8" One-touch fitting (AWG30K to AWG40K)

Note 2) Drain guide: G 1/8 (AWG20K), G 1/4 (AWG30K to AWG40K)

Made to Order

(Refer to page 641 for details.)

Symbol	Specifications
X406	Setting and pressure gauge full span 0.4 MPa

Semi-standard

Symbol	Description	Applicable model
Nil	—	—
1 ⁽³⁾	0.02 to 0.2 MPa setting	AWG20K to 40K
2	Metal bowl	AWG20K to 40K
6	Nylon bowl	AWG20K to 40K
8	Metal bowl with level gauge	AWG30K, 40K
C	With bowl guard	AWG20K
J ⁽⁴⁾	With drain guide	AWG20K to 40K
N	Non-relieving	AWG20K to 40K
W	Drain cock with barb fitting: ø6 x ø4 nylon tubing	AWG30K, 40K
Z ⁽⁵⁾	Name plate, caution plate for bowl, and pressure gauge in imperial units (psi, °F)	AWG20K to 40K

* When more than one specification is required, indicate in ascending alphanumeric order.
Note 3) Adjusting spring and pressure gauge (full-span 0.3 MPa) are different from those for the standard specification.

All products can be set at 0.2 MPa or more.

Note 4) Not under a valve function.

Note 5) For thread type NPT.

This product is for overseas use only according to the new Measurement Law. (The SI unit type is provided for use in Japan.)

Option (2)

Symbol	Description	Applicable model
Nil	—	—
H	With set nuts	AWG20K to 40K

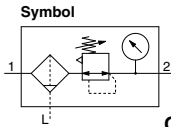
Option (1)

Symbol	Description	Applicable model
Nil	—	—
B	With bracket (With set nuts)	AWG20K to 40K
C	Float type auto drain (Normally closed)	AWG20K to 40K
D	Float type auto drain (Normally open)	AWG30K, 40K

When more than one specification is required, indicate in ascending alphanumeric order.

Port size

Symbol	Port size	Body size		
		20	30	40
01	1/8	●	—	—
02	1/4	●	●	●
03	3/8	—	●	●
04	1/2	—	—	●



Mounting Angle of Pressure Gauge

Symbol	G1	G2	G3	G4
Mounting angle	0°	90°	180°	270°
Mounting angle view				

* Possible to change to the optional mounting angles.

For details, refer to page 642. * Procedure for replacing or changing the mounting angle of a pressure gauge*

Option/Semi-standard Combinations

⊙: Combination available

□: Combination not available

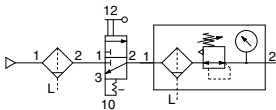
○: Varies depending on a model

△: Available only with NPT thread

Option/Semi-standard specifications	Combination Symbol	Option											Semi-standard		Applicable filter regulator	
		B	C	D	H	1	2	6	8	C	J	N	W	Z	AWG20K	AWG30K/40K
Option	With bracket	⊙	⊙	⊙	⊙	⊙	⊙	⊙	⊙	⊙	⊙	⊙	⊙	⊙	⊙	⊙
	Float type auto drain (N.C.)	⊙	⊙	⊙	⊙	⊙	⊙	⊙	⊙	⊙	⊙	⊙	⊙	⊙	⊙	⊙
	Float type auto drain (N.O.)	⊙	⊙	⊙	⊙	⊙	⊙	⊙	⊙	⊙	⊙	⊙	⊙	⊙	⊙	⊙
Semi-standard	With set nut	⊙	⊙	⊙	⊙	⊙	⊙	⊙	⊙	⊙	⊙	⊙	⊙	⊙	⊙	⊙
	0.02 to 0.2 MPa setting	⊙	⊙	⊙	⊙	⊙	⊙	⊙	⊙	⊙	⊙	⊙	⊙	⊙	⊙	⊙
	Metal bowl	⊙	⊙	⊙	⊙	⊙	⊙	⊙	⊙	⊙	⊙	⊙	⊙	⊙	⊙	⊙
	Nylon bowl	⊙	⊙	⊙	⊙	⊙	⊙	⊙	⊙	⊙	⊙	⊙	⊙	⊙	⊙	⊙
	Metal bowl with level gauge	⊙	⊙	⊙	⊙	⊙	⊙	⊙	⊙	⊙	⊙	⊙	⊙	⊙	⊙	⊙
	With bowl guard	⊙	⊙	⊙	⊙	⊙	⊙	⊙	⊙	⊙	⊙	⊙	⊙	⊙	⊙	⊙
	With drain guide	⊙	⊙	⊙	⊙	⊙	⊙	⊙	⊙	⊙	⊙	⊙	⊙	⊙	⊙	⊙
	Non-relieving type	⊙	⊙	⊙	⊙	⊙	⊙	⊙	⊙	⊙	⊙	⊙	⊙	⊙	⊙	⊙
	Drain cock with barb fitting	⊙	⊙	⊙	⊙	⊙	⊙	⊙	⊙	⊙	⊙	⊙	⊙	⊙	⊙	⊙
	Name plate, caution plate for bowl, and pressure gauge in imperial units (psi, °F)	△	△	△	△	△	△	△	△	△	△	△	△	△	△	△

Application example of a filter regulator with a backflow function

When the air supply is cut off and releasing the inlet pressure to the atmosphere, the residual pressure release of the outlet side can be ensured for a safety purpose.



Filter regulator with back flow mechanism

Filter Regulator with Built-in Pressure Gauge with Backflow Function **AWG20K/30K/40K Series**

Standard Specifications

Model	AWG20K	AWG30K	AWG40K
Port sizes	1/8, 1/4	1/4, 3/8	1/4, 3/8, 1/2
Fluid	Air		
Proof pressure	1.5 MPa		
Maximum operating pressure	1.0 MPa		
Regulating pressure range ⁽¹⁾	0.05 to 0.85 MPa		
Relief pressure	Set pressure + 0.05 MPa (at relief flow rate of 0.1 L/min (ANR))		
Ambient and fluid temperature	-5 to 60°C (With no freezing)		
Nominal filtration rating	5 μm		
Drain capacity (cm ³)	8	25	45
Bowl material	Polycarbonate		
Bowl guard	Semi-standard	Standard	
Construction	Relieving type		
Weight (kg)	0.26	0.51	0.86

Note 1) Set the inlet pressure so it should be 0.05 MPa or higher than the set pressure.

Option Part No.

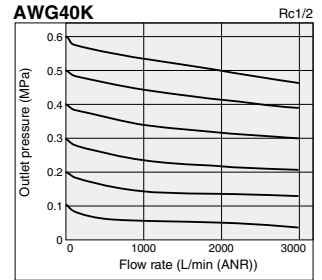
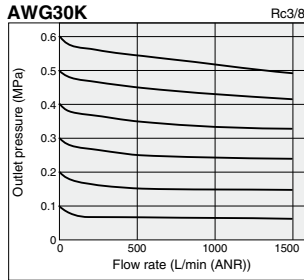
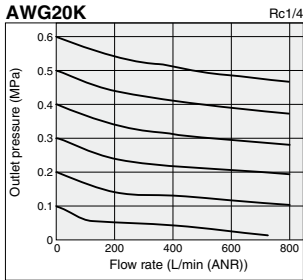
Option		Applicable model		AWG20K	AWG30K	AWG40K
Bracket assembly ⁽¹⁾				ARG20P-270AS	ARG30P-270AS	ARG40P-270AS
Set nut				ARG20P-260S	ARG30P-260S	ARG40P-260S
Pressure gauge	Pressure gauge display range	Standard	0 to 1.0 MPa	GB2-10AS	GB3-10AS	GB4-10AS
			0 to 0.3 MPa	GB2-3AS	GB3-3AS	GB4-3AS
		Semi-standard	0 to 150 psi	GB2-P10AS	GB3-P10AS	GB4-P10AS
			0 to 45 psi	GB2-P3AS	GB3-P3AS	GB4-P3AS
Float type auto drain ⁽²⁾		Normally open		—	AD38	AD48
		Normally closed		AD27	AD37	AD47

Note 1) Assembly includes a bracket and set nuts.

Note 2) Minimum operating pressure: N.O. type-0.1 MPa; N.C. type-0.1 MPa (AD27) and 0.15 MPa (AD37/47). Contact SMC regarding the specifications for psi unit and °F.

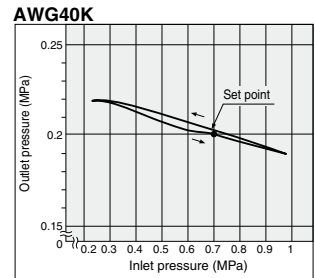
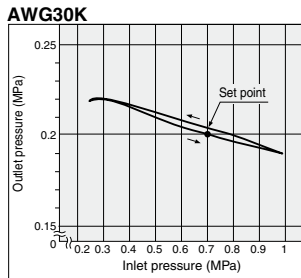
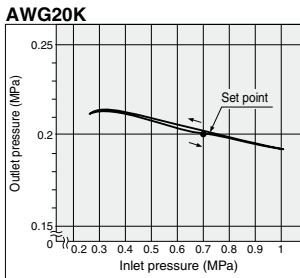
Flow Rate Characteristics (Representative Values)

Condition: Inlet pressure 0.7 MPa



Pressure Characteristics (Representative Values)

Conditions: Inlet pressure 0.7 MPa, Outlet pressure 0.2 MPa, Flow rate 20 L/min (ANR)

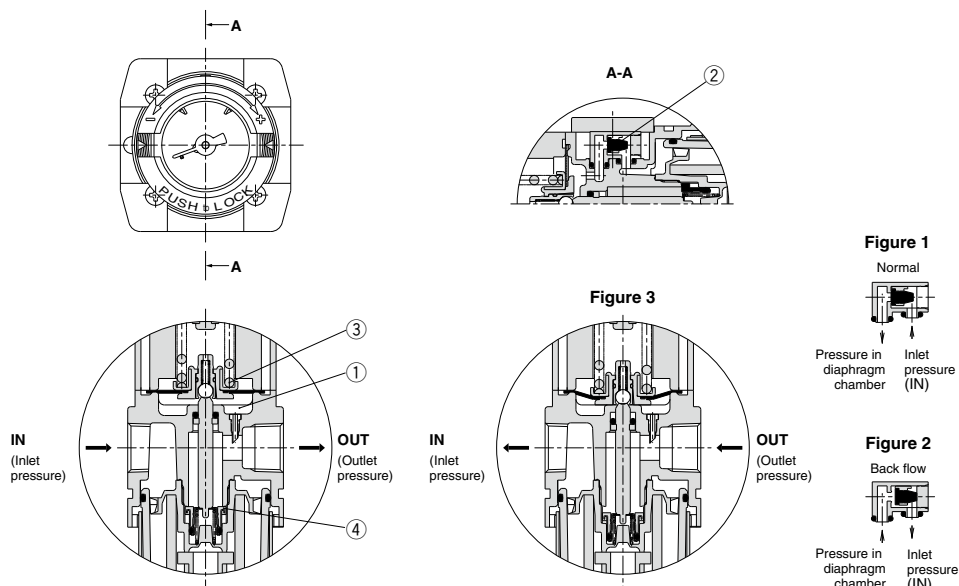


AC-A
AF-A
AF□-A
AR-A
AL-A
AW-A
AC-B
AF-A
AF□-A
AR-β
AL-A
AW-β
AW□
AF□-G

E□
AV
AF

AWG20K/30K/40K Series

Working Principle



When the inlet pressure (P_1) is higher than the regulating pressure, the check valve ② closes and operates as a normal regulator (Figure 1).

When the inlet pressure (P_1) is shut off and released, the check valve ② opens and the pressure in the diaphragm chamber ① is released into the inlet side (Figure 2).

This lowers the pressure in the diaphragm chamber ① and the force generated by the pressure regulator spring ③ lifts the diaphragm. Valve ④ opens through the stem, and the outlet pressure is released to the inlet side (Figure 3).

⚠ Specific Product Precautions

Be sure to read this before handling the products.

Refer to back page 50 for Safety Instructions and pages 387 to 391 for F.R.L. Precautions.

Maintenance

⚠ Warning

1. Replace the element every 2 years or when the pressure drop becomes 0.1 MPa, whichever comes first, to prevent damage to the element.

Mounting and Adjustment

⚠ Warning

1. Set the regulator while checking the displayed values of the inlet and outlet pressure gauges. Turning the knob excessively can cause damage to the internal parts.
2. Do not use tools on the pressure regulator knob as this may cause damage. It should be operated manually.

- Push the pressure regulator knob to lock. When the knob is not easily locked, turn it left and right a little and then push it (when the knob is locked, the "orange mark" will disappear).

⚠ Caution

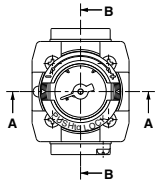
1. Be sure to unlock the knob before adjusting the pressure and lock it after setting the pressure. Failure to follow this procedure can cause damage to the knob and the outlet pressure may fluctuate.
 - Pull the pressure regulator knob to unlock. (You can visually verify this with the "orange mark" that appears in the gap.)



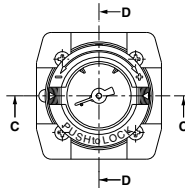
Filter Regulator with Built-in Pressure Gauge with Backflow Function **AWG20K/30K/40K Series**

Construction

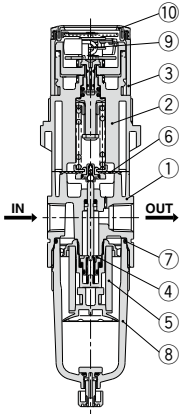
AWG20K



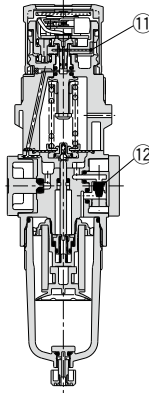
AWG30K/40K



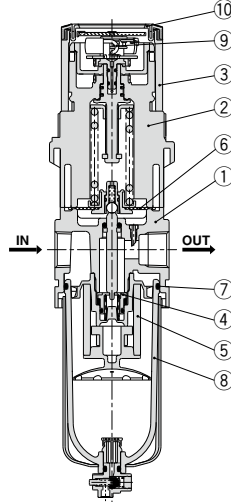
A-A



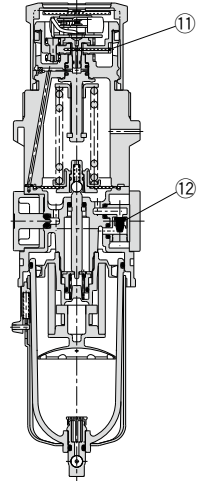
B-B



C-C



D-D



AC-A
AF-A
AF□-A
AR-A
AL-A
AW-A
AC-B
AF-A
AF□-A
AR-B
AL-A
AW-B
AW□
A□G
E□
AV
AF

Component Parts

No.	Description	Material			Note
		AWG20K	AWG30K	AWG40K	
1	Body	ADC			Platinum silver
2	Bonnet	PBT			Black
3	Knob	POM			Black

Replacement Parts

No.	Description	Material	Qty.	Part no.		
				AWG20K	AWG30K	AWG40K
4	Valve assembly	Brass, HNBR	1	AW20P-340AS	AW30P-340AS	AW40P-340AS
5	Filter element	Non-woven fabric	1	AF20P-060S	AF30P-060S	AF40P-060S
6	Diaphragm assembly	Weatherability NBR	1	AR20P-150AS	AR30P-150AS	AR40P-150AS
7	Bowl O-ring	NBR	1	C2SFP-260S	C3SFP-260S	C4SFP-260S
8	Bowl assembly ⁽¹⁾	PC	1	C2SF	C3SF ⁽²⁾	C4SF ⁽²⁾
9	Pressure gauge ⁽³⁾	—	1	GB2-10AS	GB3-10AS	GB4-10AS
10	Pressure gauge cover	PC	1	ARG20P-400S	ARG30P-400S	ARG40P-400S
11	Clip	Stainless steel	1	ARG20P-420S	ARG30P-420S	ARG40P-420S
12	Check valve assembly	—	1	AR20KP-020AS		

Note 1) Including O-ring. Contact SMC regarding the bowl assembly supply for psi and °F unit specifications.

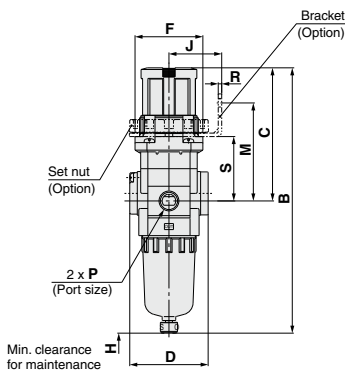
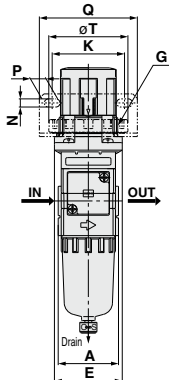
Note 2) Bowl assembly (AWG30K/40K) includes a bowl guard (steel band material).

Note 3) Only the standard part numbers are listed for the pressure gauges. For the optional part numbers, refer to page 637.

AWG20K/30K/40K Series

Dimensions

AWG20K



Panel fitting dimension

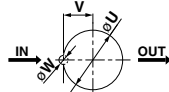
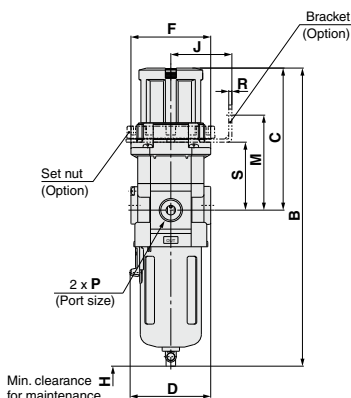
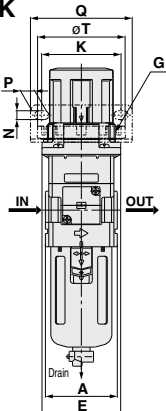


Plate thickness
AWG20K: Max. 3.5

AWG30K/40K



Panel fitting dimension

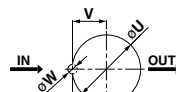


Plate thickness
AWG30K/40K: Max. 3.5

Applicable model Option/Semi-standard specifications	AWG20K				AWG30K/40K			
	With auto drain (N.C.)	Metal bowl	With drain guide	With auto drain (N.O./N.C.)	Metal bowl	Metal bowl with level gauge	With drain guide	Drain cock with barb fitting
Dimensions				 N.O.: Black N.C.: Gray ø10 One-touch fitting				 Barb fitting Applicable tubing: T804L
	M5 x 0.8		1/8 Width across flats 14				1/4 Width across flats 17	

Model	Standard specifications								Option specifications							
	P	A	B ^(Note)	C	D	E	F	G	H	Bracket mount						
										J	K	M	N	P	Q	R
AWG20K	1/8, 1/4	40	179	91	52	45	47	M39 x 1.5	40	35	48	65	5.4	10.4	65	2.3
AWG30K	1/4, 3/8	53	223.5	108.5	59	58	59	M50 x 1.5	55	45	58.5	70	6.5	10.5	75	2.3
AWG40K	1/4, 3/8, 1/2	70	261.5	114.5	75	70	70	M55 x 1.5	80	50	65.5	77	8.5	12.5	85	2.3

Model	Option specifications					Semi-standard specifications					
	Panel mount					With auto drain	With barb fitting	With drain guide	Metal bowl	Metal bowl with level gauge	
	S	U	V	W	T	B ^(Note)	B ^(Note)	B ^(Note)	B ^(Note)	B ^(Note)	
AWG20K	43	39.5	19.5	6	52.5	196	—	183	179	—	
AWG30K	50	50.5	25	7	65	264.5	231.5	230.5	236.5	256.5	
AWG40K	56	55.5	27.5	7	70	300.5	269.5	268.5	274.5	294.5	

(Note) Full length dimension B is measured when the knob is unlocked.

Filter Regulator with Built-in Pressure Gauge AWG20(K)/30(K)/40(K) Made to Order Specifications:



Please contact SMC for detailed dimensions, specifications and lead times.

① Setting and Pressure Gauge Full Span 0.4 MPa

AWG 30 - 03 G1 - X406

Body size

Symbol	Port size
20	1/8
30	3/8
40	1/2

With back flow mechanism

Symbol	Description
Nil	—
K	With back flow mechanism

Thread type

Symbol	Type
Nil	Rc
N	NPT
F	G

Note 1) Drain guide: NPT 1/8 (AWG20(K)), NPT 1/4 (AWG30(K) to AWG40(K)); Auto drain port: With ø3/8" One-touch fitting (AWG30(K) to AWG40(K))
Note 2) Drain guide: G 1/8 (AWG20(K)), G 1/4 (AWG30(K) to AWG40(K))

Port size

Symbol	Port size	Body size		
		20	30	40
01	1/8	●	—	—
02	1/4	●	●	—
03	3/8	—	●	●
04	1/2	—	—	●

Semi-standard

Symbol	Description	Applicable model
Nil	—	—
2	Metal bowl	AWG20(K) to 40(K)
6	Nylon bowl	AWG20(K) to 40(K)
8	Metal bowl with level gauge	AWG30(K), 40(K)
C	With bowl guard	AWG20(K)
J ⁽³⁾	With drain guide	AWG20(K) to 40(K)
N	Non-relieving	AWG20(K) to 40(K)
W	Drain cock with barb fitting: ø6 x ø4 nylon tubing	AWG30(K), 40(K)
Z ⁽⁴⁾	Name plate, caution plate for bowl, and pressure gauge in imperial units (psi, °F)	AWG20(K) to 40(K)

* When more than one specification is required, indicate in ascending alphanumeric order.
Note 3) Without a valve function.
Note 4) For thread type NPT.
This product is for overseas use only according to the new Measurement Law.
(The SI unit type is provided for use in Japan.)

Option (2)

Symbol	Description	Applicable model
Nil	—	—
H	With set nuts	AWG20(K) to 40(K)

Option (1)

Symbol	Description	Applicable model
Nil	—	—
B	With bracket (With set nuts)	AWG20(K) to 40(K)
C	Float type auto drain (Normally closed)	AWG20(K) to 40(K)
D	Float type auto drain (Normally open)	AWG30(K), 40(K)

When more than one specification is required, indicate in ascending alphanumeric order.

Mounting Angle of Pressure Gauge

Symbol	G1	G2	G3	G4
Mounting angle	0°	90°	180°	270°
Mounting angle view				

* Possible to change to the optional mounting angles.
For details, refer to page 642, "Procedure for replacing or changing the mounting angle of a pressure gauge".

Option/Semi-standard Combinations

⊙: Combination available
○: Varies depending on a model
□: Combination not available
△: Available only with NPT thread

Option/Semi-standard specifications	Combination Symbol	Option				Semi-standard							Applicable filter regulator		
		B	C	D	H	2	6	8	C	J	N	W	Z	AWG20	AWG30/40
Option	With bracket	B	⊙	○	□	⊙	⊙	○	○	○	○	○	△	⊙	○
	Float type auto drain (Normally closed)	C	⊙	○	○	⊙	⊙	○	○	○	○	○	△	⊙	○
	Float type auto drain (Normally open)	D	⊙	○	○	⊙	⊙	○	○	○	○	○	△	⊙	○
	With set nut	H	⊙	○	○	⊙	⊙	○	○	○	○	○	△	⊙	○
Semi-standard	Metal bowl	-2	⊙	○	○	⊙	⊙	○	○	○	○	○	△	⊙	○
	Nylon bowl	-6	⊙	○	○	⊙	⊙	○	○	○	○	○	△	⊙	○
	Metal bowl with level gauge	-8	⊙	○	○	⊙	⊙	○	○	○	○	○	△	⊙	○
	With bowl guard	-C	⊙	○	○	⊙	⊙	○	○	○	○	○	△	⊙	○
	Drain guide	-J	⊙	○	○	⊙	⊙	○	○	○	○	○	△	⊙	○
	Non-relieving type	-N	⊙	○	○	⊙	⊙	○	○	○	○	○	△	⊙	○
	Drain cock with barb fitting	-W	⊙	○	○	⊙	⊙	○	○	○	○	○	△	⊙	○
	Name plate, caution plate for bowl, and pressure gauge in imperial units (psi, °F)	-Z	△	△	△	△	△	△	△	△	△	△	△	△	△



ACG/ARG/AWG Series Specific Product Precautions

Be sure to read this before handling the products.

Refer to back page 50 for Safety Instructions and pages 387 to 391 for F.R.L. Precautions.

Procedure for replacing or changing the mounting angle of a pressure gauge

Warning

When replacing a pressure gauge and/or changing the mounting angle, release the inlet and outlet pressure completely. It is dangerous to replace the pressure gauge or change the mounting angle while it is under pressure.

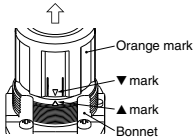
1. Advance preparation

Keep the knob unlocked and completely loosened. The unlocked condition of the knob can be visually confirmed by the "Orange line" shown near the bottom of the knob.



2. Removing the knob

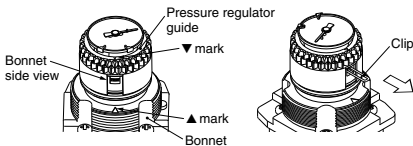
To remove the knob, align the ▼ mark on the knob and the ▲ mark on the bonnet and then pull the knob.



3. Removing the clip

When the ▲ mark on the bonnet and the ▼ mark on the pressure regulator guide are aligned, the clip can be seen from the side view of the bonnet. The clip can be picked and removed with tweezers.

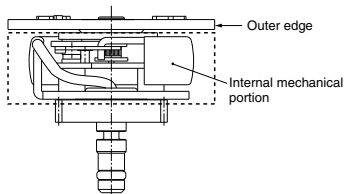
* When adjusting the mark, turn the pressure regulator guide clockwise for adjustment.



4. Removing the pressure gauge

Pull the pressure gauge out by holding the outer edge of the dial.

* Do not touch the internal mechanical portion (shown inside the dotted box). Accuracy of the pressure gauge may be adversely affected.



5. Setting the pressure gauge

After the mounting angle is adjusted as required, hold the outer edge of the pressure gauge dial and gently press down. For reference, the required clearance between the bottom of the dial and the top of the pressure regulator guide is shown in table 1.

Note 1) When the pressure gauge cannot be easily positioned, slightly rotate it. (The cog from the planet gear of the pressure regulator guide may be caught vertically in the cog from the sun gear which is mounted and integrated with the pressure gauge)

Note 2) Position the pressure gauge to the very bottom.

Note 3) Attached to the tip of the pressure gauge is an O-ring with grease applied to it. Please use caution to prevent particles and/or dust from entering the pressure gauge when it is set. Otherwise, they may cause air leakage.

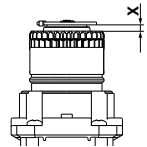


Table 1. Clearance Dimensions

	ARG20 AWG20	ARG30 AWG30	ARG40 AWG40
X dimension (reference value)	2.6 mm	3.3 mm	3.3 mm

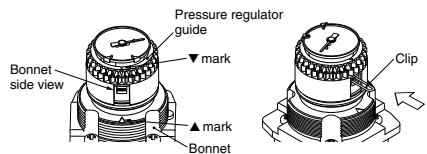
6. Setting the clip

Insert the clip in the side of the bonnet when the ▼ mark on the pressure regulator guide and the ▲ mark on the bonnet are aligned. When inserting and setting the clip, use an instrument with a narrow tip, such as tweezers.

Note 1) The clip is slightly tapered towards its tip to prevent it from being released. Set the clip by slightly opening its tip.

Note 2) When the clip cannot easily be set, the cause may be as follows:

- (1) The pressure regulator screw might have been in a lower position than then the current one. (The pressure regulator screw may reach a lower position if the pressing force of the pressure regulator screw is excessively applied. This occurs because there is a clearance between the pressure regulator nut and pressure spring, when the pressure regulator screw is loosened completely.)
- (2) The pressure gauge is not firmly set. Countermeasures Refer to 5 "Setting the pressure gauge".



7. Setting the knob

Finished when the knob is set.