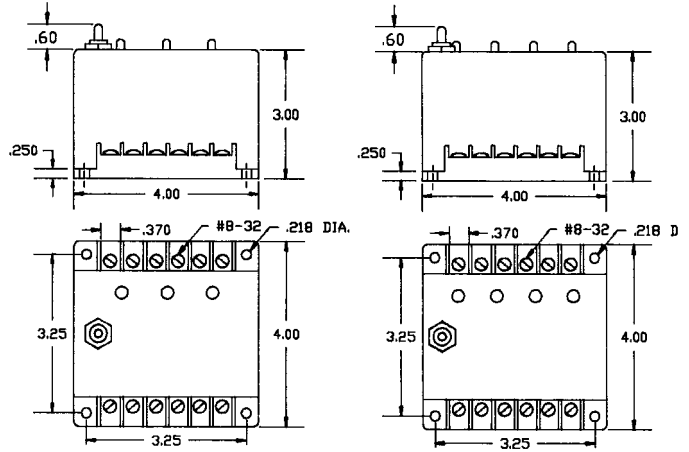
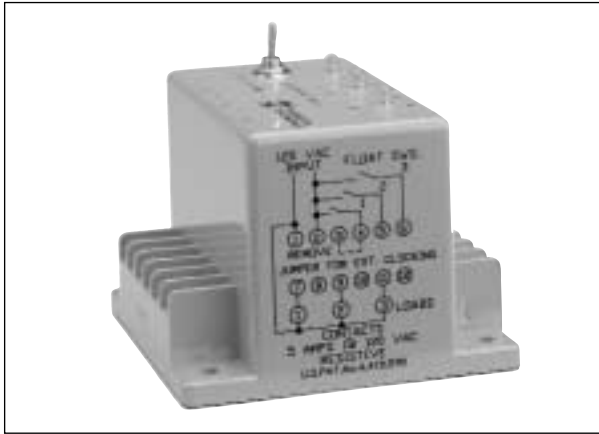


## Expandable Alternating Relays

### DIMENSIONS INCHES



### OPERATION

The Expandable Alternating Relays are designed for use in multiple load installations that are required to alternate in sequence and have the ability to accept an additional load installation in the future.

#### ARA-120-AME

The ARA-120-AME is a Duplexor/Triplexor Alternating Relay. With the selector switch in position A, this alternating relay will duplex the loads on terminals 7 and 9. With the switch in position B, the Alternating Relay will triplex the three loads on terminals 7, 9 and 11.

For automatic alternations, a factory-installed jumper is in place between terminals 3 and 4. The alternating action is accomplished when the control switch between terminals 2 and 4 opens.

For external clocking alternations, remove the factory installed jumper between terminals 3 and 4 and place an isolated normally open switch between terminals 2 and 3. The alternating action will occur each time this isolated switch is closed and then re-opened.

#### ARA-120-ANE

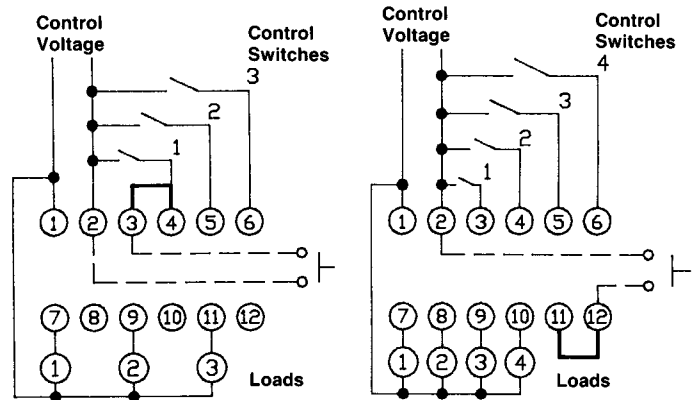
The ARA-120-ANE is a Triplexor/Quadraplexor Alternating Relay. With the selector switch in position A, the Alternating Relay will triplex between the loads on terminals 7, 8 and 9. With the switch in position B, the Alternating relay will quadraplex the loads on terminals 7, 8, 9 and 10.

For automatic alternations, a factory installed jumper is in place between terminals 11 and 12. The alternating action is accomplished when the control switch between terminals 2 and 3 opens.

For external clocking alternations, remove the factory installed jumper between terminals 11 and 12 and place an isolated normally open switch between terminals 2 and 12. The alternating action will occur each time this isolated switch is closed and then re-opened.

In the event of a power failure the Alternating Relays will return to their quiescent state and continue sequencing loads on one-at-a-time.

### WIRING



### SPECIFICATIONS

**CONTROL VOLTAGE:** 120 VAC  $\pm$ 10%, 50/60 Hz

**CONTROL CURRENT:** 2 mA

#### OUTPUT RATING

ARA-120-AME: (3) 5 Amp Resistive, 1/6 hp, 211 VA @ 120 VAC, Inductive Externally Switched to terminal #2

ARA-120-ANE: (4) 5 Amp Resistive, 1/6 hp, 211 VA @ 120 VAC, Inductive Externally Switched to terminal #2

**POWER REQUIRED:** 3 VA (Approximately)

#### TEMPERATURES

Operate: -4° to 131°F (-20° to +55°C)  
Storage: -40° to 185°F (-40° to +85°C)

**DUTY CYCLE:** Continuous

#### LIFE EXPECTANCY

Mechanical: 10,000,000 Operations (Minimum)  
Electrical: 100,000 Operations @ Rated Load

**INDICATORS:** LED's Show Condition of Outputs

**ENCLOSURE STYLE:** Style "E" Lexan® Surface Mounted

**TERMINATIONS:** (12) #8-32 Screw Terminals

#### CATALOG NUMBERS

Duplexor/Triplexor: ARA-120-AME  
Triplexor/Quadraplexor: ARA-120-ANE