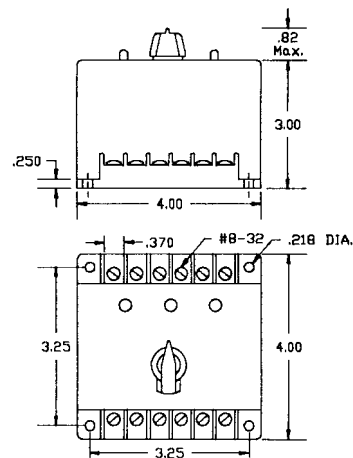


## ARA-120-AHE Special Function Alternating Relay



### DIMENSIONS INCHES



### OPERATION

The ARA-120-AHE is a special function Triplexor designed for three load installations. This model has a field selection switch that is used to omit one of the three loads for general or emergency maintenance while duplexing the remaining two loads. The ARA-120-AHE has the option of alternating on each load cycle or by external clocking. This alternating relay also allows for additional loads to run in the event of excess load requirements.

The alternating action is initiated by the control switch between terminals 2 and 4 when the factory installed jumper is in place between terminals 3 and 4.

The alternating action may be initiated externally by removing the factory installed jumper between terminals 3 and 4 and placing an isolated normally open switch between terminals 2 and 3. An alternating action will occur each time this isolated switch is closed and then re-opened.

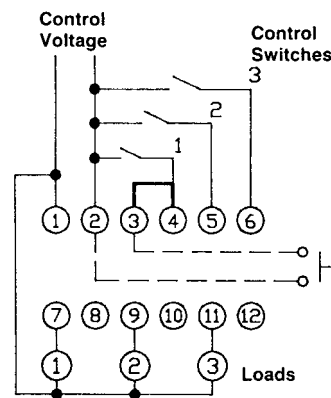
The selection switch has the following positions:

- Normal — Normal operation as Triplexor
- Omit 1 — Omit load #1 Duplex loads 2 and 3
- Omit 2 — Omit load #2 Duplex loads 1 and 3
- Omit 3 — Omit load #3 Duplex loads 1 and 2

In the event of a power failure, the Alternating Relay will return to its quiescent state and continue sequencing loads on one-at-a-time.

Note: When the "omit load" option is selected, full potential will appear on the output terminal of the omitted load when the lag switch between terminals 2 and 5 closes. It is recommended that the H-O-A switch be placed in the "off" position for the omitted load.

### WIRING



### SPECIFICATIONS

**CONTROL VOLTAGE:** 120 VAC  $\pm$ 10%, 50/60 Hz

**CONTROL CURRENT:** 2 mA

#### OUTPUT RATING

Triplexor: (3) 5 Amp Resistive, 1/6 hp, 211 VA @ 120 VAC, Inductive Externally Switched to terminal #2

**POWER REQUIRED:** 3 VA (Approximately)

#### TEMPERATURES

Operate: -4° to 131°F (-20° to +55°C)  
Storage: -40° to 185°F (-40° to +85°C)

#### DUTY CYCLE:

Continuous

#### LIFE EXPECTANCY

Mechanical: 10,000,000 Operations (Minimum)  
Electrical: 100,000 Operations @ Rated Load

**INDICATORS:** LED's Show Condition of Outputs

**ENCLOSURE STYLE:** Style "E" Lexan® Surface Mounted

**TERMINATIONS:** (12) #8-32 Screw Terminals

**CATALOG NUMBERS:** ARA-120-AHE