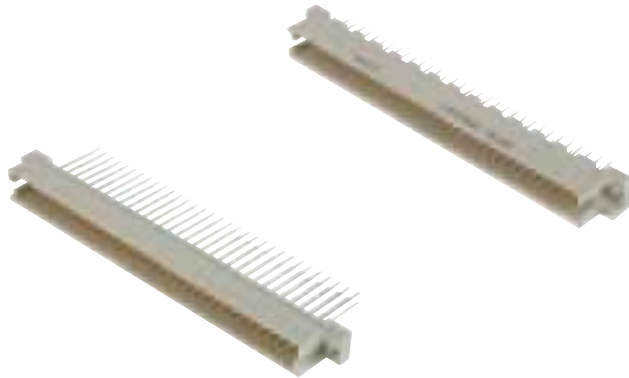


**Bauform Q (=inverser Typ B), Stecker, gerade**  
**Type Q (=inversed type B), male, straight**

**APFEL**



**Technische Daten:**

Seite 142

**Verfügbare Oberflächen:**

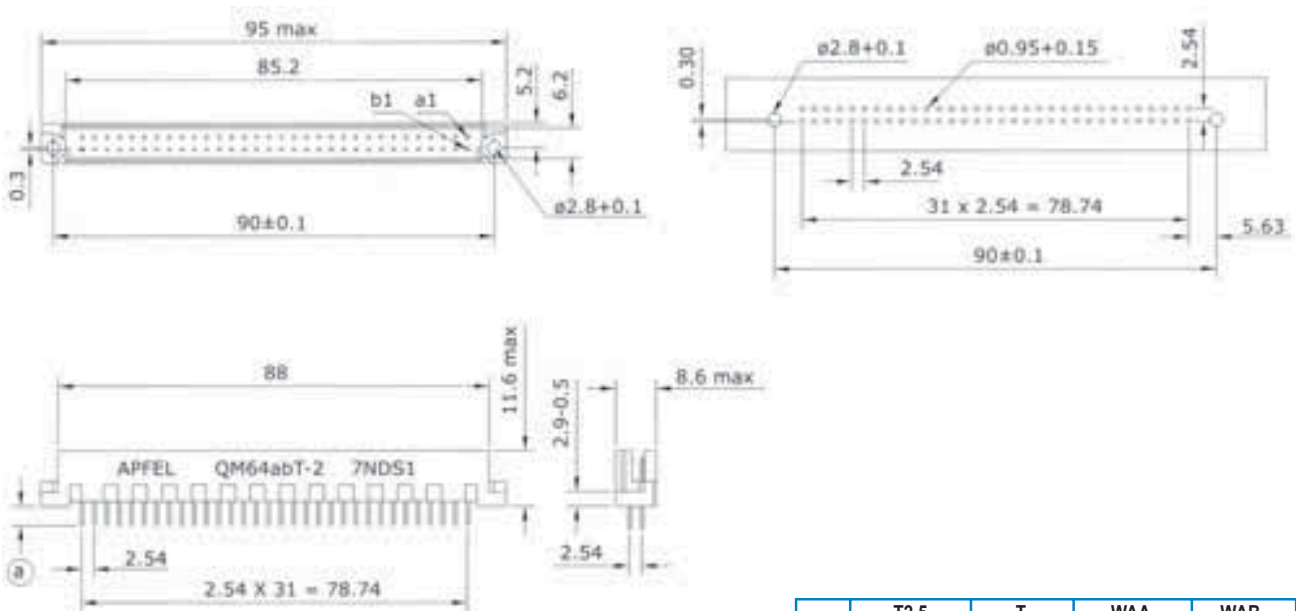
Gütestufe 3 \*  
 Gütestufe 2  
 Gütestufe 1

**Technical specs:**

page 142

**Available finish:**

Quality class 3 \*  
 Quality class 2  
 Quality class 1



a = tail length  
 k = termination cross section

|    | T2.5        | T          | WAA         | WAB        |
|----|-------------|------------|-------------|------------|
| a= | 2.5         | 4          | 13          | 13         |
| k= | 0.3 x 0.38  | 0.3 x 0.38 | 0.64 x 0.64 | 0.6 x 0.6  |
|    | WBA         | WBB        | W5          | W7         |
| a= | 17          | 17         | 5           | 7.4        |
| k= | 0.64 x 0.64 | 0.6 x 0.6  | 0.6 x 0.60  | 0.6 x 0.60 |

Bestellcode : **A - Q - M - x - x - x**  
 Ordercode :

Bitte „x“ durch unten geeignete Option ersetzen  
 Please replace „x“ with appropriate option listed below

1. 2. 3.

**1. Bestückung**  
 64ab\*, 32a, 32ab\*, 16a

**Position with contacts**  
 64ab\*, 32a, 32ab\*, 16a

**2. Ausführung (a) (Pinlänge)**  
 T -4mm\*  
 T2.5 -2.5mm  
 WAB -13mm\*  
 WAA -13mm  
 WBB -17mm  
 WBA -17mm  
 W5 -5mm  
 W7 -7mm

**Version (a) (tail length)**  
 T -4mm\*  
 T2.5 -2.5mm  
 WAB -13mm\*  
 WAA -13mm  
 WBB -17mm  
 WBA -17mm  
 W5 -5mm  
 W7 -7mm

**3. Gütestufe**  
 - -Stufe 3 \*  
 2 -Stufe 2  
 1 -Stufe 1

**Quality class**  
 - -class 3 \*  
 2 -class 2  
 1 -class 1

\* Standard