

Type APR-I

Automotive Blade Fuse

Standard – LED Indicating



www.optifuse.com (619) 593-5050

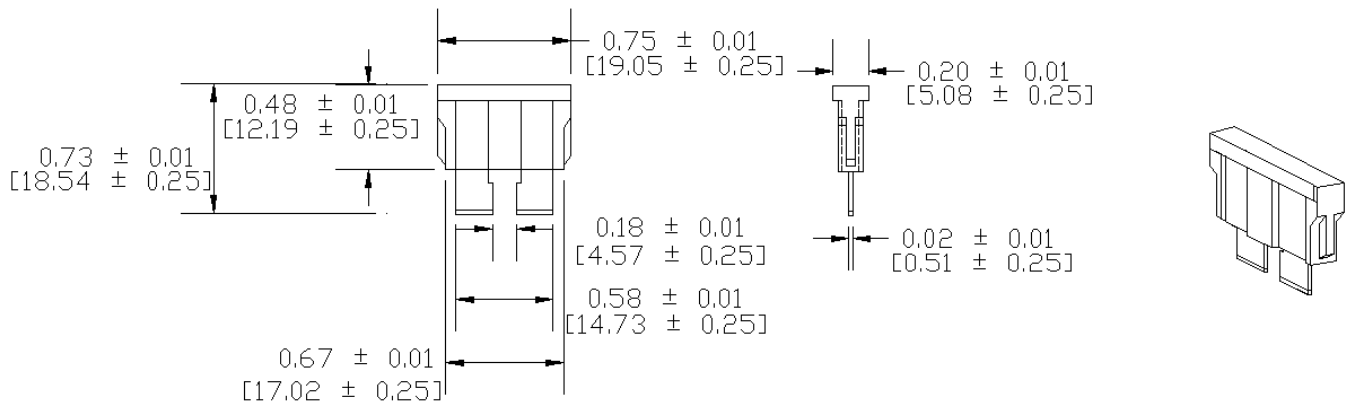
Specifications:

- Voltage: 12VDC, 24VDC, 32V DC
- Amperage: 2A, 3A, 4A, 5A, 7.5A, 10A, 15A, 20A, 25A, 30A, 35A, 40A
- Designed to meet SAE J1284 and ISO 8820-3 Standards.

Part Number	Amperage	Body Color
APR-I-2A	2A	Gray
APR-I-3A	3A	Violet
APR-I-4A	4A	Pink
APR-I-5A	5A	Tan
APR-I-7.5A	7.5A	Brown
APR-I-10A	10A	Red
APR-I-15A	15A	Blue
APR-I-20A	20A	Yellow
APR-I-25A	25A	Natural
APR-I-30A	30A	Green
APR-I-35A	35A	Blue Green
APR-I-40A	40A	Amber

Time Characteristics:		
% of Rated Current	Min Hold Time	Max Hold Time
110%	100h	
135%	750ms	1800s
200%	150ms	5s
350%	80ms	250ms

Mechanical Dimensions: Inches [mm]



Warning:



- Operation beyond the specified maximum ratings or improper use may result in damage and possible electrical arcing and/or flame.
- Avoid contact of device with chemical solvent. Prolonged contact will damage the device performance.