

# Type APM Automotive Blade Fuse Miniature



www.optifuse.com (619) 593-5050

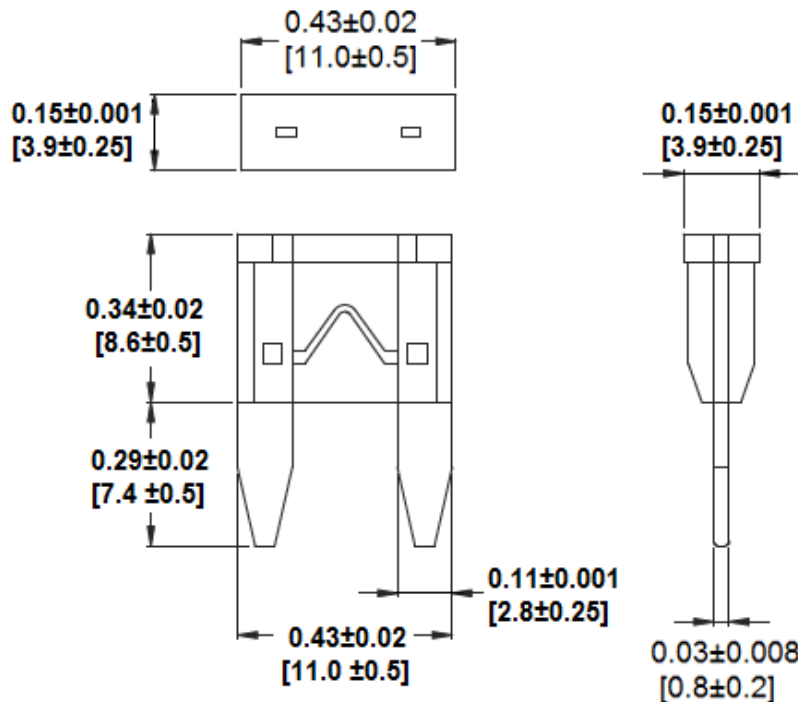
## Specifications:

- Voltage: 32V DC
- Amperage: 2A, 3A, 4A, 5A, 7.5A, 10A, 15A, 20A, 25A, 30A, 35A
- Body: Thermoplastic PC
- Terminals: Zinc Alloy
- Designed to meet SAE J2077 and ISO 8820-3 Standards.

Part Number	Amperage	Body Color
APM-2A	2A	Gray
APM-3A	3A	Violet
APM-4A	4A	Pink
APM-5A	5A	Tan
APM-7.5A	7.5A	Brown
APM-10A	10A	Red
APM-15A	15A	Blue
APM-20A	20A	Yellow
APM-25A	25A	Natural
APM-30A	30A	Green
APM-35A	35A	Purple

Time Characteristics:		
% of Rated Current	Min Hold Time	Max Hold Time
110%	>100h	
135%	750ms	1800s
200%	150ms	5s
350%	40ms	500ms
600%	20ms	100ms

## Mechanical Dimensions: Inches [mm]



## Warning:



-Operation beyond the specified maximum ratings or improper use may result in damage and possible electrical arcing and/or flame.

-Avoid contact of device with chemical solvent. Prolonged contact will damage the device performance.

# Type APM Automotive Blade Fuse Miniature



www.optifuse.com (619) 593-5050

## Time Current Curve Graph

