



ATTENTION
OBSERVE PRECAUTIONS
FOR HANDLING
ELECTROSTATIC
DISCHARGE
SENSITIVE
DEVICES

Part Number: APB3227ZGQBDC

Green
Blue

Features

- 3.2mmx2.7mm SMT LED, 1.1mm thickness.
- Bi-color, low power consumption.
- Wide viewing angle.
- Ideal for backlight and indicator.
- Various colors and lens types available.
- Package : 2000pcs / reel.
- Moisture sensitivity level : level 3.
- RoHS compliant.

Description

The Green source color devices are made with InGaN on Sapphire Light Emitting Diode.

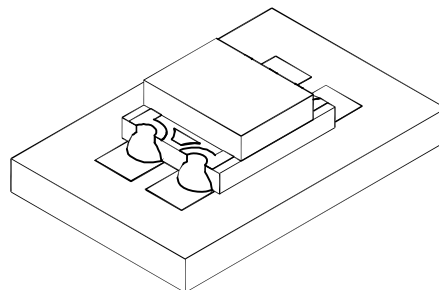
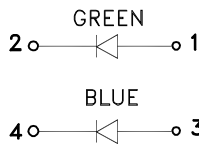
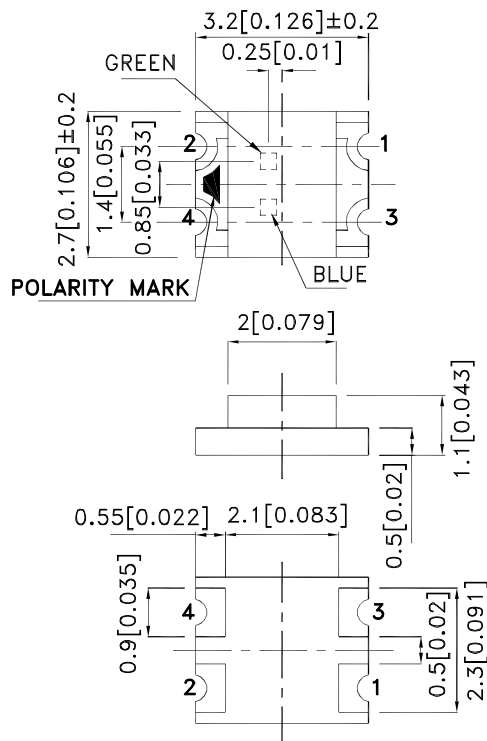
The Blue source color devices are made with InGaN Light Emitting Diode.

Static electricity and surge damage the LEDs.

It is recommended to use a wrist band or anti-electrostatic glove when handling the LEDs.

All devices, equipment and machinery must be electrically grounded.

Package Dimensions



Notes:

1. All dimensions are in millimeters (inches).
2. Tolerance is ±0.1(0.004") unless otherwise noted.
3. The specifications, characteristics and technical data described in the datasheet are subject to change without prior notice.
4. The device has a single mounting surface. The device must be mounted according to the specifications.



Selection Guide

| Part No. | Dice | Lens Type | Iv (mcd) [2] @ 20mA | | Viewing Angle [1] |
|---------------|---------------|-------------|------------------------|------|----------------------|
| | | | Min. | Typ. | 2θ1/2 |
| APB3227ZGQBDC | Green (InGaN) | Water Clear | 200 | 400 | 100° |
| | Blue (InGaN) | | 55 | 100 | |

Notes:

1. θ1/2 is the angle from optical centerline where the luminous intensity is 1/2 of the optical peak value.
2. Luminous intensity/ luminous Flux: +/-15%.
3. Luminous intensity value is traceable to the CIE127-2007 compliant national standards.

Electrical / Optical Characteristics at TA=25°C

| Symbol | Parameter | Device | Typ. | | Max. | Units | Test Conditions |
|--------------------|--------------------------|---------------|------------|--------------|----------|-------|---------------------------|
| λ _{peak} | Peak Wavelength | Green Blue | 515 468 | *515 *460 | | nm | I _F =20mA |
| λ _D [1] | Dominant Wavelength | Green Blue | 525 470 | *525 *465 | | nm | I _F =20mA |
| Δλ _{1/2} | Spectral Line Half-width | Green Blue | 30 25 | | | nm | I _F =20mA |
| C | Capacitance | Green Blue | 45 100 | | | pF | V _F =0V;f=1MHz |
| V _F [2] | Forward Voltage | Green Blue | 3.3 3.3 | | 4.1 4 | V | I _F =20mA |
| I _R | Reverse Current | Green Blue | | | 50 50 | uA | V _R = 5V |

Notes:

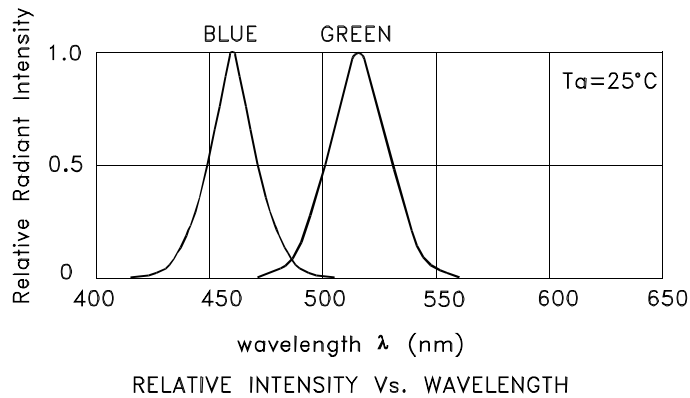
1. Wavelength: +/-1nm.
 2. Forward Voltage: +/-0.1V.
- * Wavelength value is traceable to the CIE127-2007 compliant national standards.

Absolute Maximum Ratings at TA=25°C

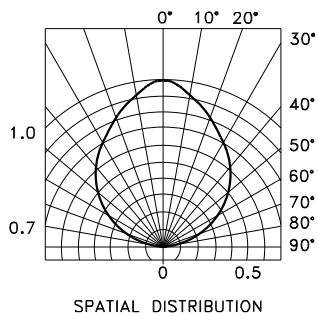
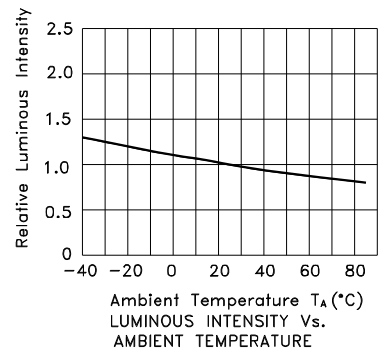
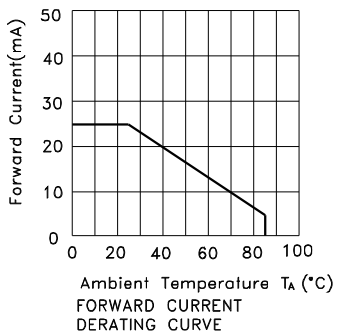
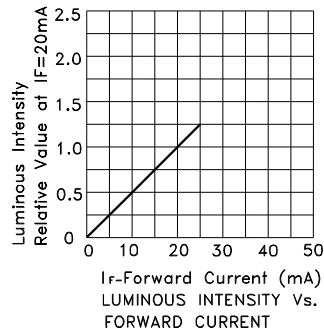
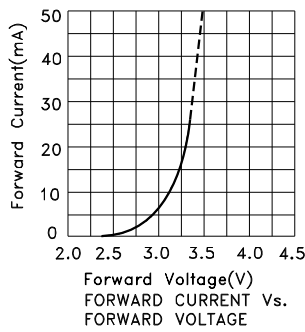
| Parameter | Green | Blue | Units |
|--------------------------|----------------|------|-------|
| Power dissipation | 102.5 | 120 | mW |
| DC Forward Current | 25 | 30 | mA |
| Peak Forward Current [1] | 150 | 150 | mA |
| Reverse Voltage | 5 | | V |
| Operating Temperature | -40°C To +85°C | | |
| Storage Temperature | -40°C To +85°C | | |

Note:

1. 1/10 Duty Cycle, 0.1ms Pulse Width.

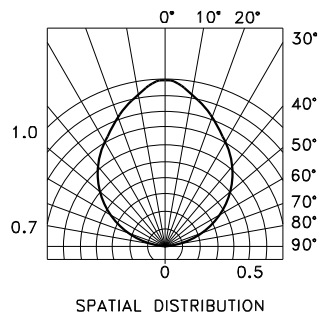
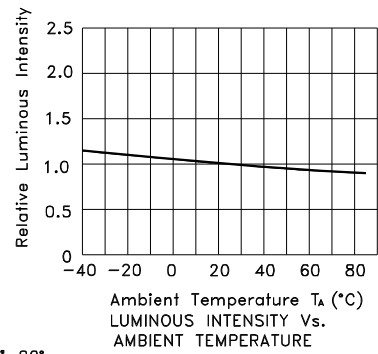
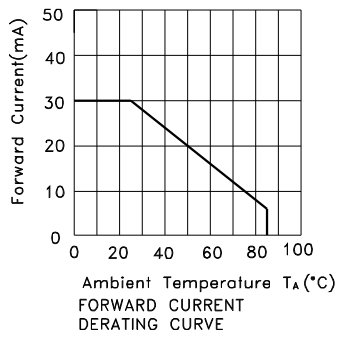
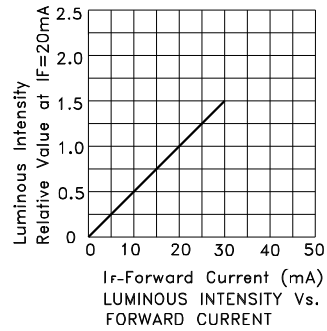
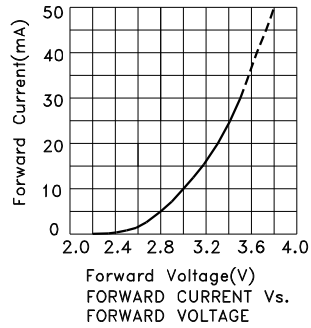


APB3227ZGQBDC Green



Kingbright

Blue



APB3227ZGQBDC

Reflow soldering is recommended and the soldering profile is shown below.
Other soldering methods are not recommended as they might cause damage to the product.

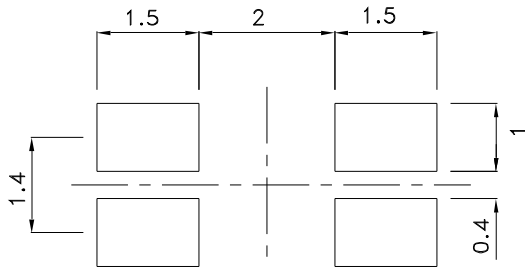
Reflow Soldering Profile For Lead-free SMT Process.



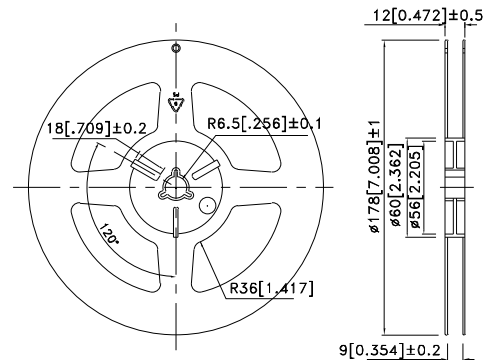
NOTES:

1. We recommend the reflow temperature 245°C(+/-5°C). The maximum soldering temperature should be limited to 260°C.
2. Don't cause stress to the epoxy resin while it is exposed to high temperature.
3. Number of reflow process shall be 2 times or less.

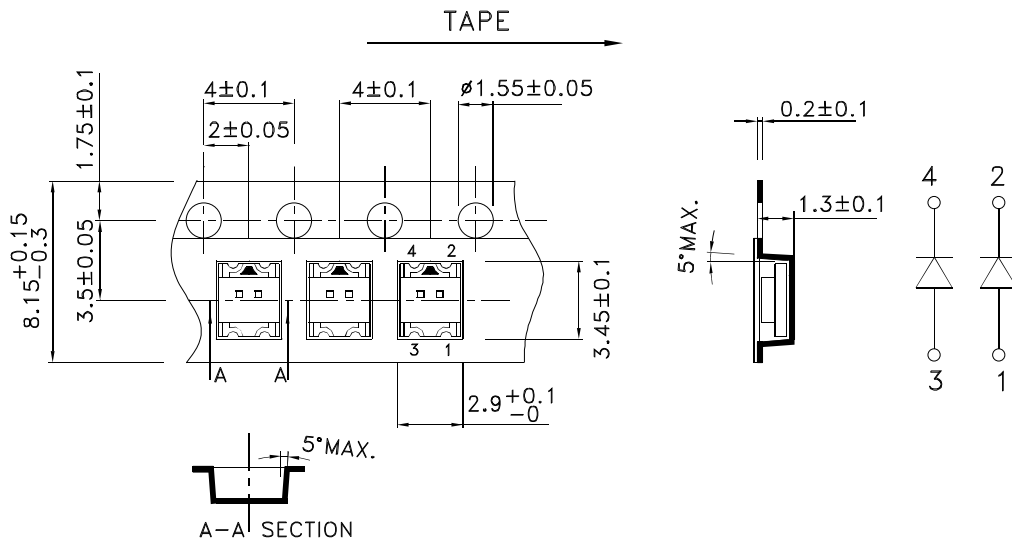
Recommended Soldering Pattern (Units : mm; Tolerance: ± 0.1)



Reel Dimension



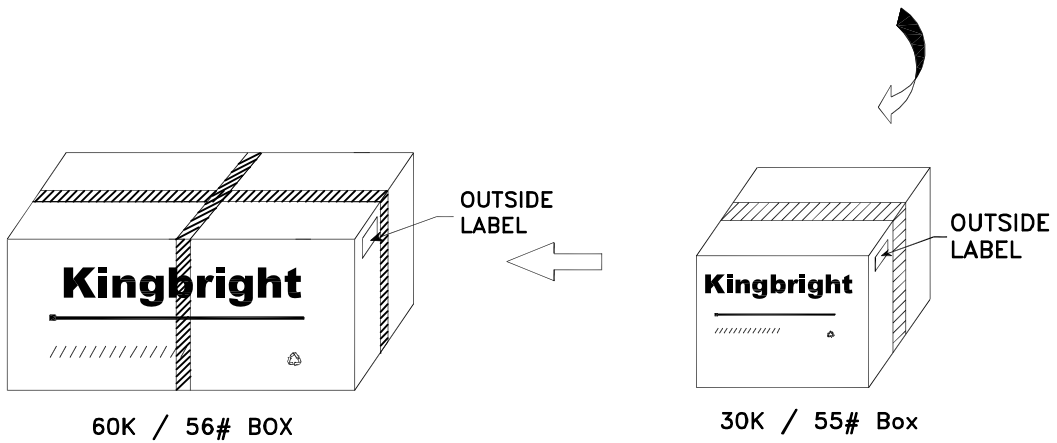
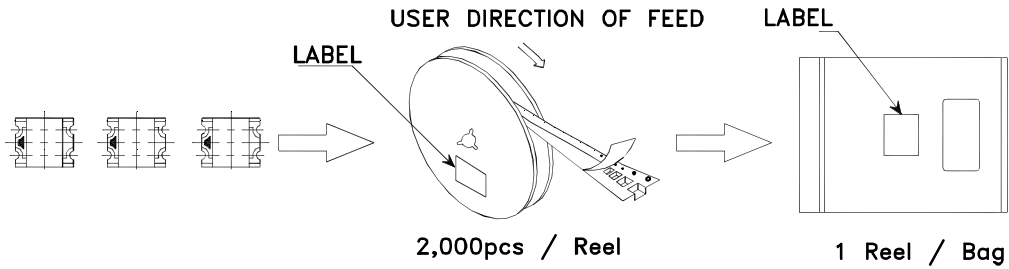
Tape Dimensions (Units : mm)




Kingbright

PACKING & LABEL SPECIFICATIONS

APB3227ZQBDC



| | |
|--|--|
| Kingbright | |
| P/NO: APB3227XXX | |
| QTY: 2,000 pcs | Q.C. Q C XX-XX-XXXX PASSED |
| S/N: XXXX | |
| CODE: XXX | |
| LOT NO: | |
|  | |
| RoHS Compliant | |

All design applications should refer to Kingbright application notes available at <http://www.KingbrightUSA.com/ApplicationNotes>