

- Wide variety of applications from consumer electronics to commercial
- Standard epoxy sealed terminations
- Gold contacts available for low power applications
- Available support brackets for greater stability
- Up to four poles with seven functions available
- Anti-rotation feature on flat toggles
- High torque bushing prevents separation from frame during installation
- Wide variety of terminal options



SPECIFICATIONS

cUL us - E222871

Electrical Ratings	5A @ 120VAC, 28VDC; 2A @ 250VAC See Contact Options
Electrical Life	50,000 cycles typical
Contact Resistance	< 20 mΩ max initial @ 2-4VDC, 100mA
Dielectric Strength	1500Vrms min
Insulation Resistance	> 100MΩ min
Operating Temperature	-40°C to 85°C
Storage Temperature	-40°C to 85°C


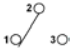

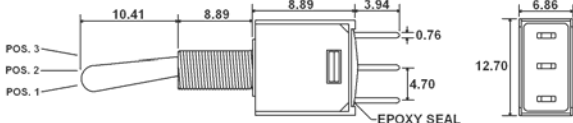



MATERIALS ←RoHS COMPLIANT


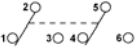

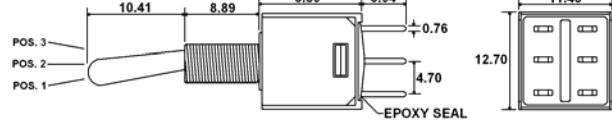



Actuator	Brass, Chrome Plated
Housing	DAP – Diallyl Phthalate
Cover	Stainless Steel
Bushing	Brass, Nickel Plated
Bracket	Brass, Tin Plated
Contacts	Phosphor Bronze, Silver Plated
Terminals	Brass, Silver Plated


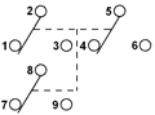

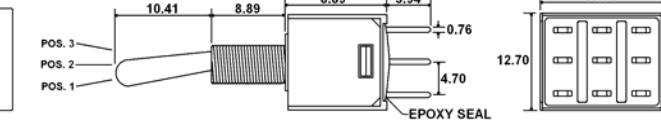
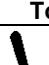


TOGGLE SWITCH ORDERING INFORMATION


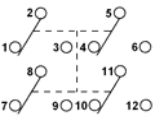

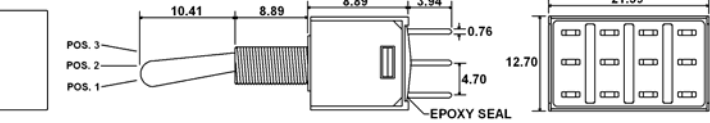



Series:	ANT	2	3	T	M	B	Q	E
ANT								
Number of Poles:								
1 = SPDT								
2 = DPDT								
3 = 3PDT								
4 = 4PDT								
Switch Function:								
1 = ON-NONE-ON								
2 = ON-NONE-(ON)								
3 = ON-OFF-ON								
4 = (ON)-OFF-(ON)								
5 = ON-OFF-(ON)								
6 = ON-ON-ON ** See Three Way Wiring Section for Details								
Actuator:								
T = 5.08mm, Std								
S = 10.41mm, Std								
X = 13.97mm, Std								
V = 16.26mm, Std								
W = 21.34mm, Std								
Y = 6.35mm, Flat Toggle **only available with AR1/AR2/AN1/AN2 bushings								
F = 12.30mm, Flat Toggle **only available with AR1/AR2/AN1/AN2 bushings								
G = 21.00mm, Flat Toggle **only available with AR1/AR2/AN1/AN2 bushings								
K = 13.50mm, Flat Toggle **only available with AR1/AR2/AN1/AN2 bushings								
Z = 12.37mm, Large Toggle **only available with BZ/BZR bushings								
Z1 = 17.45mm, Large Toggle **only available with BZ/BZR bushings								
LK = 14.73mm, Locking Toggle, Round Top **only available with K/K1 bushings								
LK1 = 14.73mm, Locking Toggle, Flat Top **only available with K/K1 bushings								
P(color) = 21.34mm, Plastic **See color choices in Actuator Option section								
PX = 26.30mm, Plastic, Flat Toggle **only available with BZ/BZR bushings								
Bushing:								
E / E1 = 8.89mm, ¼-40NS / Non-Threaded, Keyway								
F / F1 = 7.10mm, ¼-40NS / Non-Threaded, Keyway								
J = 8.89mm, ¼-40NS, Flat								
W = 8.89mm, M6P-0.75 (Metric), Keyway								
H = 8.00mm, High Torque, ¼-40NS, Keyway								
G = 7.52mm, High Torque, ¼-40NS, Flat								
AR1 / AR2 = 7.55mm, Anti-Rotation, ¼-40NS / Non-Threaded, Keyway								
AN1 / AN2 = 7.55mm, Anti-Rotation, ¼-40NS / Non-Threaded, Flat								
BZ = 11.38mm, 15/32 -32NS, Keyway								
BZR = 11.38mm, 15/32 -32NS, Keyway, with support insert								
L = 7.55mm, ¼-40NS, Flat, Splash proof								
K / K1 = 8.00mm, ¼-40NS / Non-Threaded, Keyway								
**See Actuator Option section for bushing availability with various actuators								
Terminals:								
B = Solder Lug, C = PC Pin **Wire wrap terminals available in various lengths, contact factory								
D = Quick Connect								
H = Horizontal Mount, Right Angle PC Pin; <i>HS = Snap-in</i>								
V = Vertical Mount, Right Angle PC Pin; <i>VS = Snap-in</i>								
S20 or S25 = PC Pin with Support Bracket; <i>V20 or V25= Snap-in Support Bracket</i>								
S35 or S40 = PC Pin with Support Bracket; <i>V35 or V40 = Snap-in Support Bracket</i>								
Contacts:								
Q = Silver Plated								
R = Gold Plated								
G = Gold over Silver Plated								
Epoxy Seal: E = Epoxy Seal								
Actuator Cover:								
Blank = No Cover								
S = for S, T, X, V, & W actuators								
E = for E, F, J, & G bushings								
Z = for BZ & BZR bushings								
Actuator Cover Colors:								
1 = White								
2 = Black								
3 = Red								
** Color choices only available with S toggle cover								

SWITCH FUNCTION

 SPDT 	Function	Toggle Position			 
					
	1	ON	NONE	ON	
	2	ON	NONE	(ON)	
	3	ON	OFF	ON	
	4	(ON)	OFF	(ON)	
5	ON	OFF	(ON)		
Terminals	2-3	---	2-1		

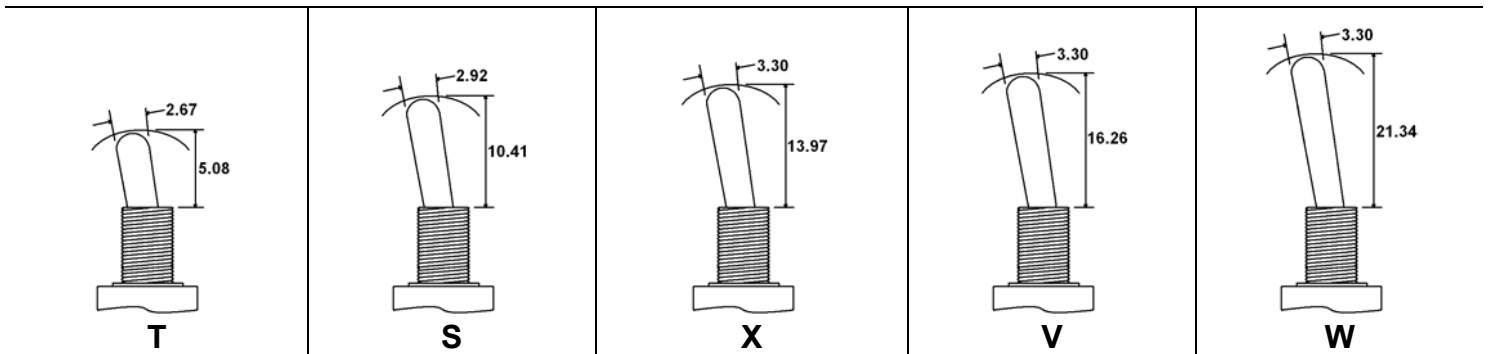
 DPDT 	Function	Toggle Position			 
					
	1	ON	NONE	ON	
	2	ON	NONE	(ON)	
	3	ON	OFF	ON	
	4	(ON)	OFF	(ON)	
5	ON	OFF	(ON)		
Terminals	2-3 5-6	---	2-1 5-4		
6	ON	ON	ON		
Terminals	2-3 5-6	2-3 5-4	2-1 5-4		

 3PDT 	Function	Toggle Position			 
					
	1	ON	NONE	ON	
	2	ON	NONE	(ON)	
	3	ON	OFF	ON	
	4	(ON)	OFF	(ON)	
5	ON	OFF	(ON)		
Terminals	2-3 5-6 8-9	---	2-1 5-4 8-7		

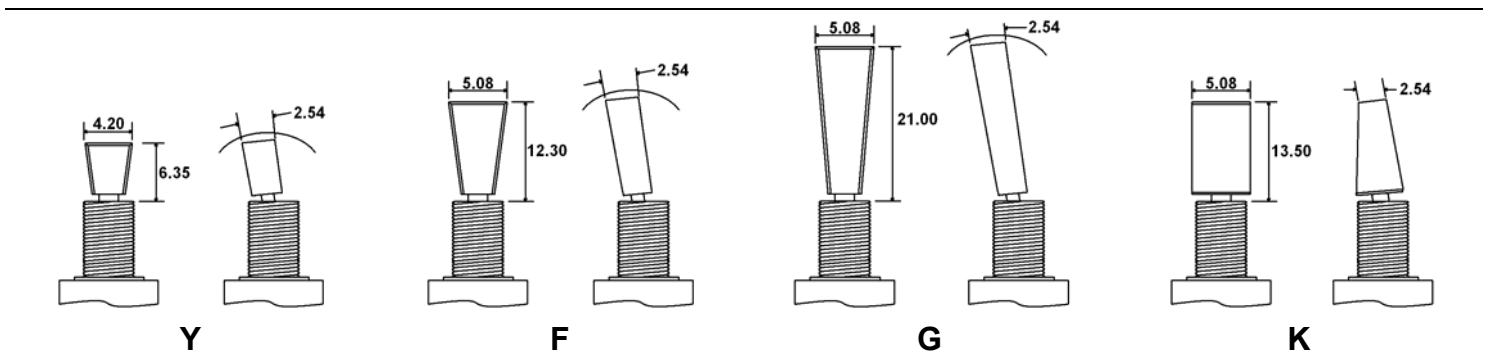
 4PDT 	Function	Toggle Position			 
					
	1	ON	NONE	ON	
	2	ON	NONE	(ON)	
	3	ON	OFF	ON	
	4	(ON)	OFF	(ON)	
5	ON	OFF	(ON)		
Terminals	2-3 5-6 8-9 11-12	---	2-1 5-4 8-7 11-10		
6	ON	ON	ON		
Terminals	2-3 5-6 8-9 11-12	2-3 5-4 8-9 11-10	2-1 5-4 8-7 11-10		

ACTUATOR OPTIONS

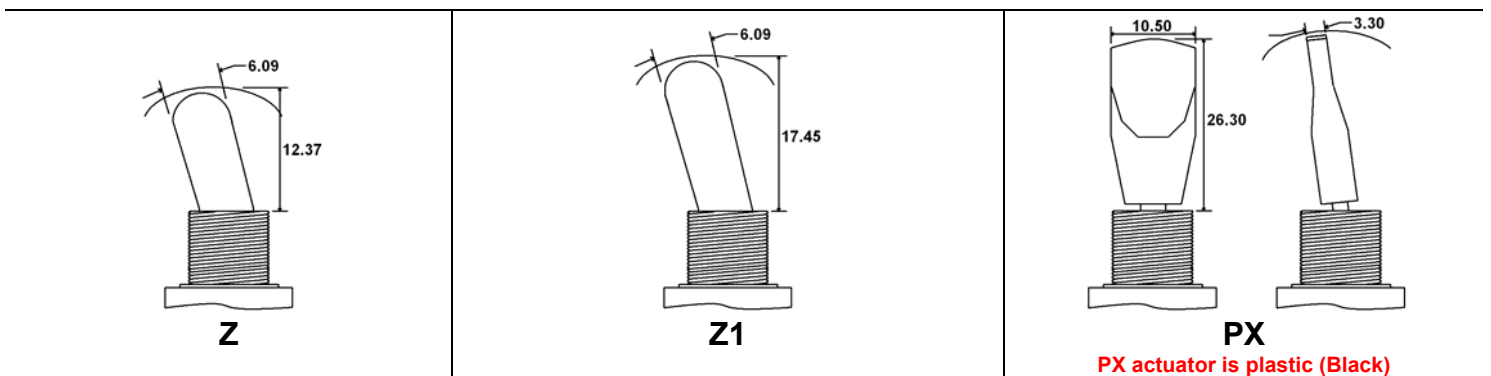
** Actuator lengths shown with E bushing, subtract 1.78mm for F/F1 bushing, subtract 0.51mm for M bushing



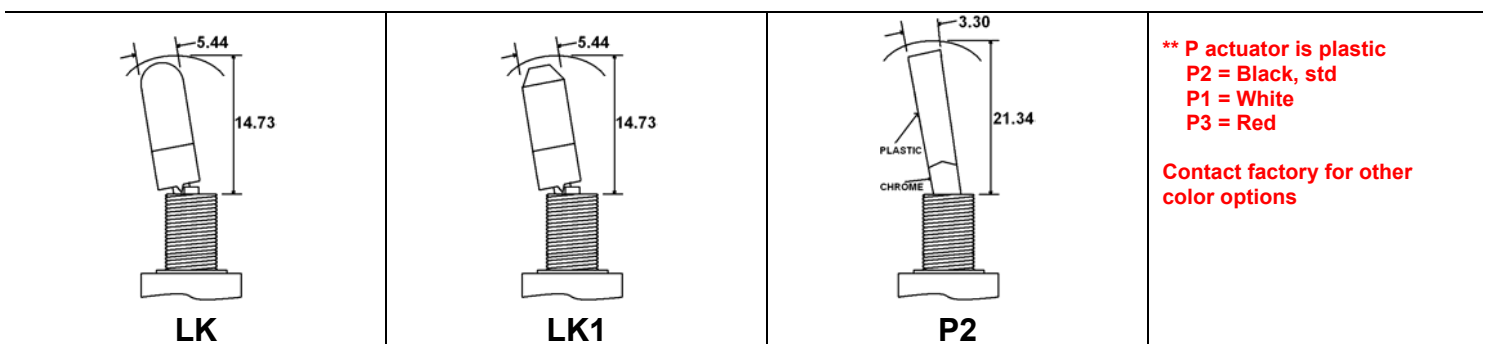
** Only available with AR1/AR2 & AN1/AN2 bushings.



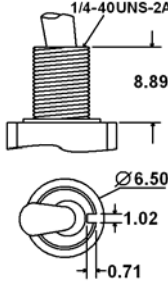
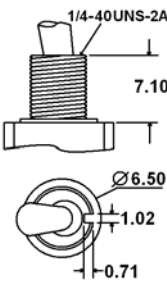
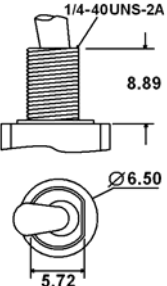
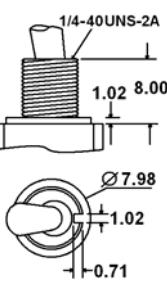
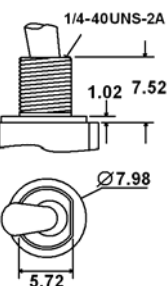
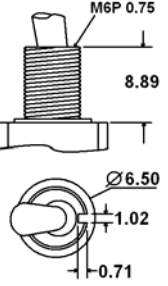
** Only available with BZ & BZR bushings.

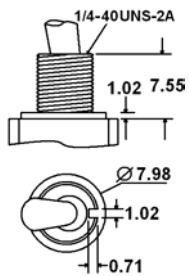
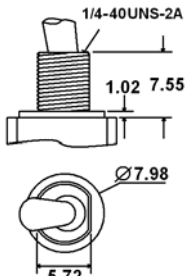
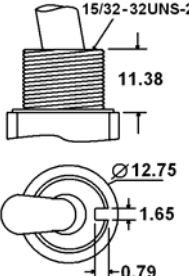
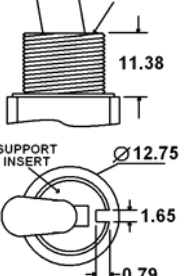
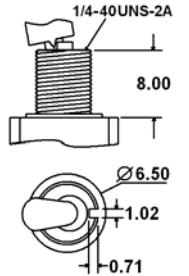


** LK & LK1 only available with K & K1 bushings. LK & LK1 are not available with momentary functions



BUSHING OPTIONS

 <p>E (Threaded) E1 (Non-Threaded)</p>	 <p>F (Threaded) F1 (Non-Threaded)</p>	 <p>J (Threaded)</p>	 <p>H (Threaded) High Torque</p>	 <p>G (Threaded) High Torque</p>	 <p>W (Threaded) Metric</p>
--	--	--	---	--	---

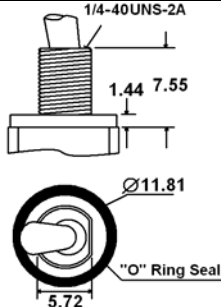
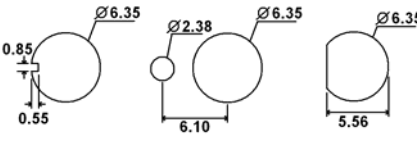
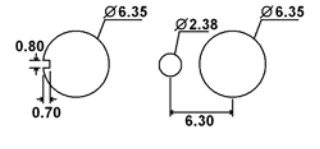
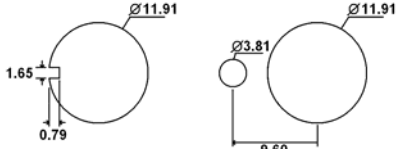
 <p>AR1 (Threaded) AR2 (Non-Threaded) Anti-Rotation</p>	 <p>AN1 (Threaded) AN2 (Non-Threaded) Anti-Rotation</p>	 <p>BZ (Threaded)</p>	 <p>BZR (Threaded) Impact Resistant</p>	 <p>K (Threaded) K1 (Non-Threaded)</p>
--	--	--	---	---

**** If selecting F, G, or K actuator, one of these bushings must be selected**

**** Only used with Z, Z1, & PX actuators**

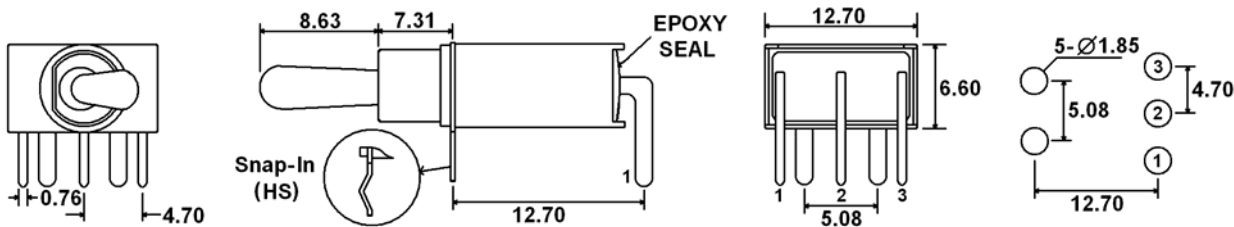
****Only used with LK & LK1 actuators**

PANEL MOUNTING

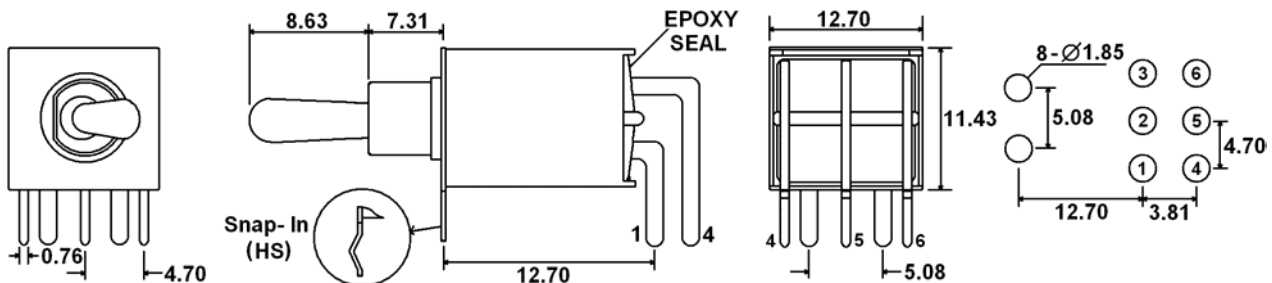
 <p>L (Threaded) Splash Proof</p> <p>** Not available with Z, Z1, & PX actuators</p>	 <p>1/4" - 40 Bushings</p>	 <p>Metric Bushing</p>	 <p>15/32" Bushings</p>
--	--	---	---

TERMINAL OPTIONS

<p>B (Single Pole)</p>	<p>B (Double Pole)</p>	<p>B (3 Pole)</p>	<p>B (4 Pole)</p>
<p>C (Single Pole)</p>	<p>C (Double Pole)</p>	<p>C (3 Pole)</p>	<p>C (4 Pole)</p>
<p>D (Single Pole)</p>	<p>D (Double Pole)</p>	<p>D (3 Pole)</p>	<p>D (4 Pole)</p>

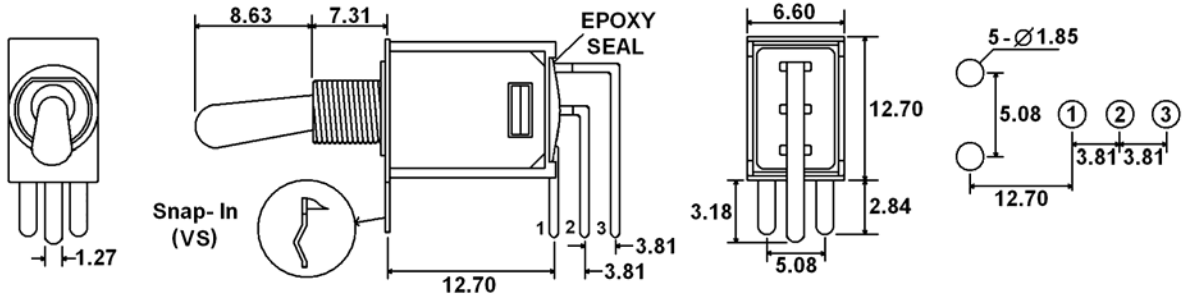


H (HS – Snap-in) = Horizontal Mount, Right Angle PC Pins (Single Pole)

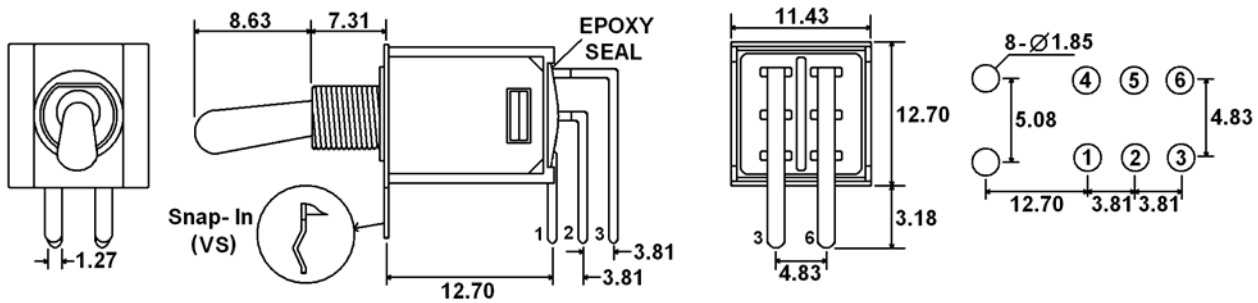


H (HS – Snap-in) = Horizontal Mount, Right Angle PC Pins (Double Pole)

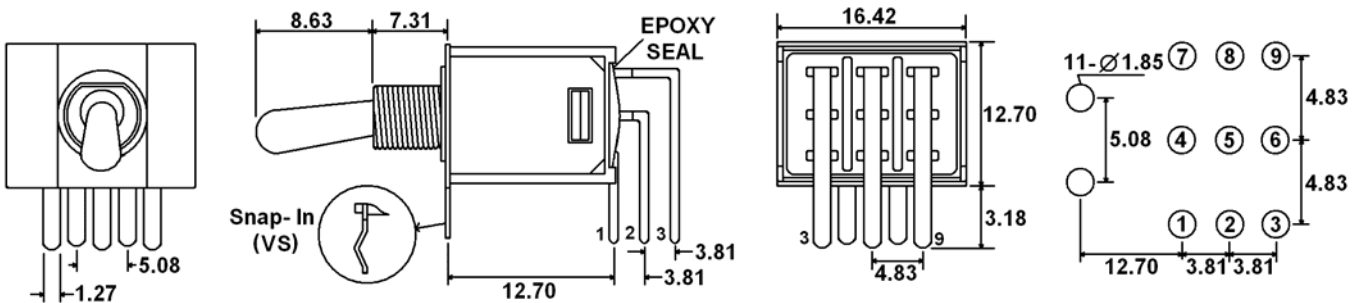
TERMINAL OPTIONS



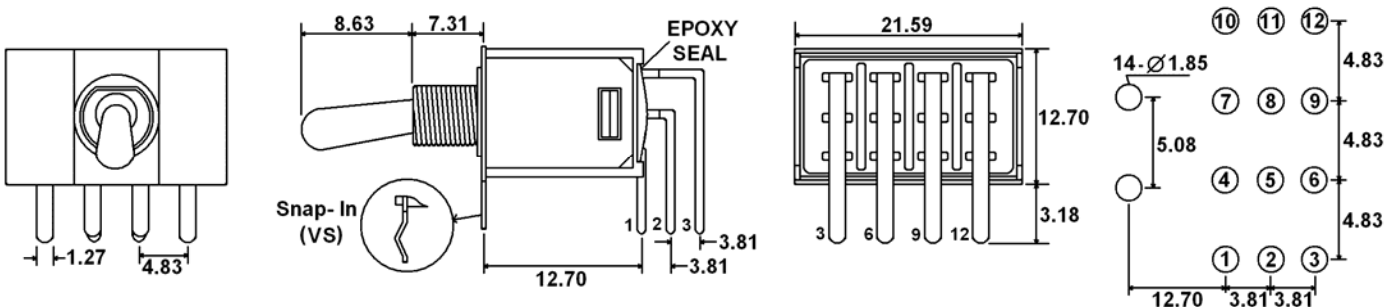
V (VS – Snap-in) = Vertical Mount, Right Angle PC Pins (Single Pole)



V (VS – Snap-in) = Vertical Mount, Right Angle PC Pins (Double Pole)

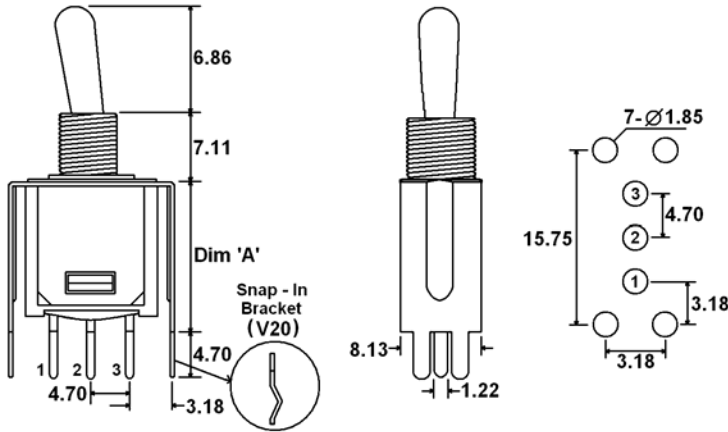


V (VS – Snap-in) = Vertical Mount, Right Angle PC Pins (Three Pole)



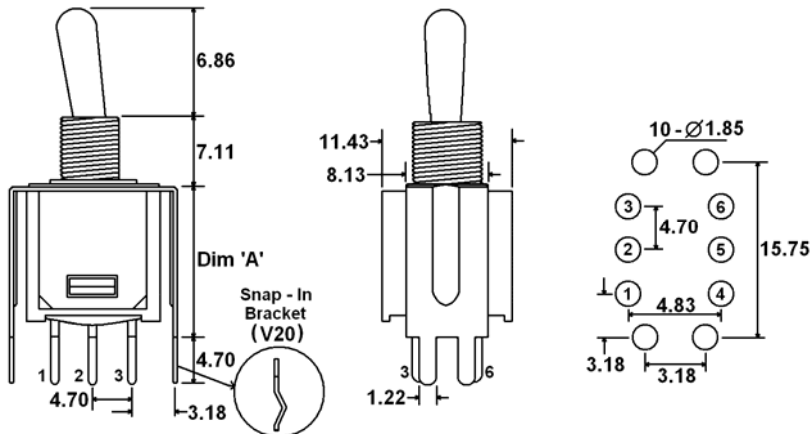
V (VS – Snap-in) = Vertical Mount, Right Angle PC Pins (Four Pole)

TERMINAL OPTIONS



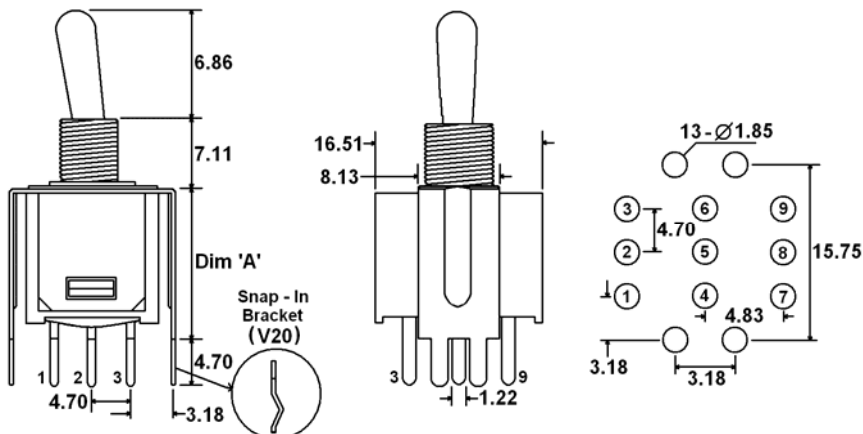
Terminal Option	"A" Dimension
S20-V20	11.68
S25-V25	16.00

S20/S25 (V20/V25 – Snap-in Bracket) = PC Pins with Support Bracket (Single Pole)



Terminal Option	"A" Dimension
S20-V20	11.68
S25-V25	16.00

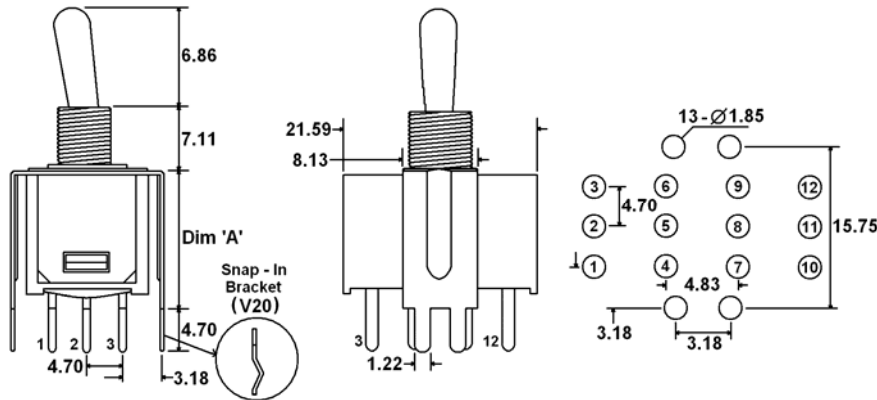
S20/S25 (V20/V25 – Snap-in Bracket) = PC Pins with Support Bracket (Double Pole)



Terminal Option	"A" Dimension
S20-V20	11.68
S25-V25	16.00

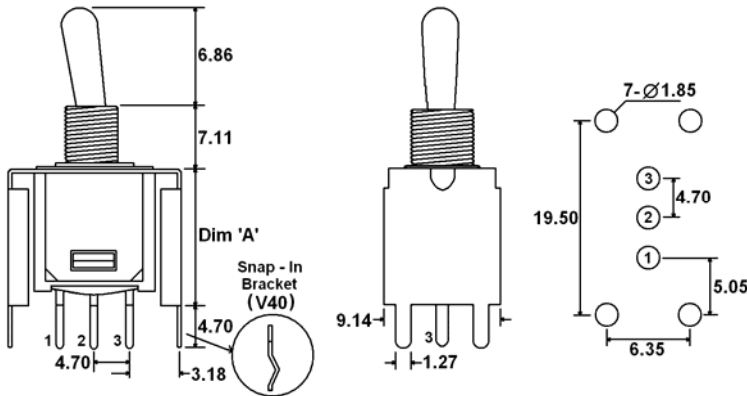
S20/S25 (V20/V25 – Snap-in Bracket) = PC Pins with Support Bracket (Three Pole)

TERMINAL OPTIONS



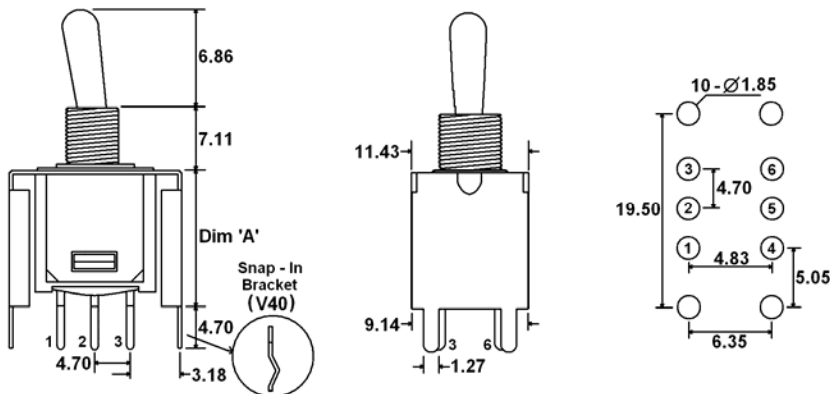
Terminal Option	"A" Dimension
S20-V20	11.68
S25-V25	16.00

S20/S25 (V20/V25 – Snap-in Bracket) = PC Pins with Support Bracket (Four Pole)



Terminal Option	"A" Dimension
S35-V35	11.68
S40-V40	16.00

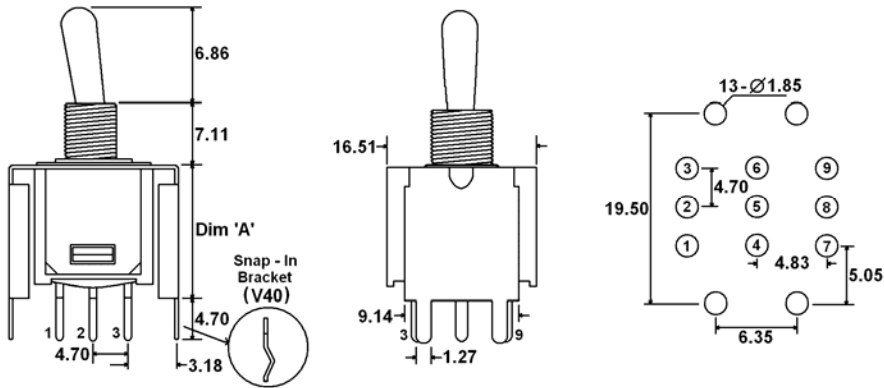
S40 (V40 – Snap-in Bracket) = PC Pins with Support Bracket (Single Pole)



Terminal Option	"A" Dimension
S35-V35	11.68
S40-V40	16.00

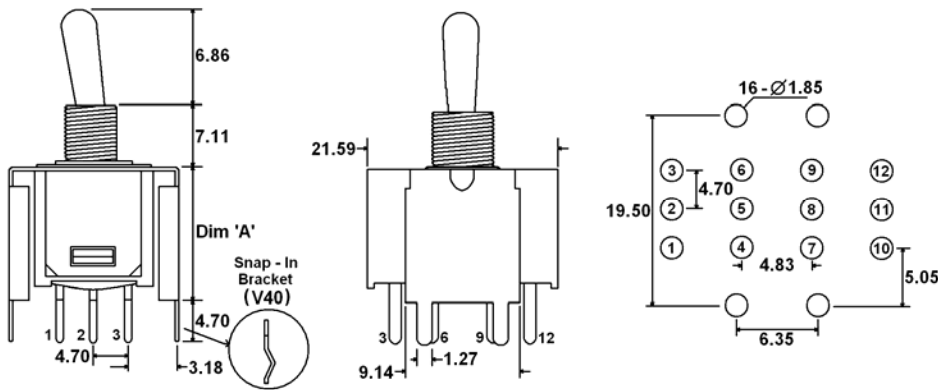
S40 (V40 – Snap-in Bracket) = PC Pins with Support Bracket (Double Pole)

TERMINAL OPTIONS



Terminal Option	"A" Dimension
S35-V35	11.68
S40-V40	16.00

S40 (V40 – Snap-in Bracket) = PC Pins with Support Bracket (Three Pole)



Terminal Option	"A" Dimension
S35-V35	11.68
S40-V40	16.00

S40 (V40 – Snap-in Bracket) = PC Pins with Support Bracket (Four Pole)

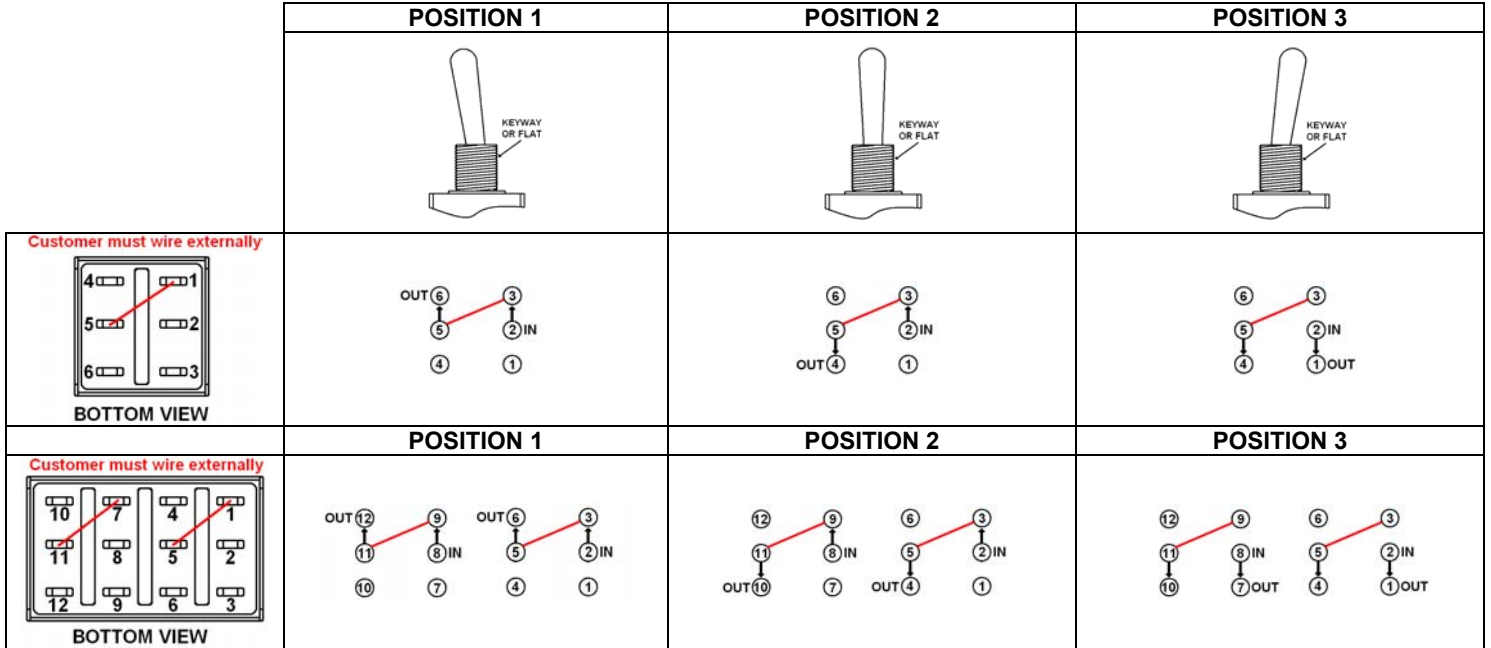
CONTACT OPTIONS

Designator	Contact Material	Terminal Material	Electrical Ratings
Q	Silver Plating	Silver Plating	5A @ 120VAC, 28VDC; 2A @ 250VAC
R	Gold over Nickel Plating	Gold over Nickel Plating	.4 VA max @ 20VAC or VDC max
G	Gold over Silver Plating	Gold over Silver Plating	.4 VA max @ 20VAC or VDC max or 5A @ 120VAC, 28VDC; 2A @ 250VAC

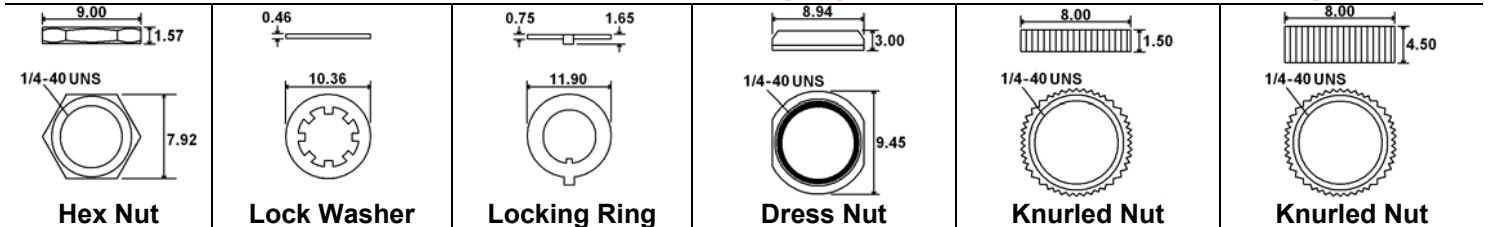
CAP OPTIONS

<p>RUBBER TOGGLE COVER S_</p> <p>** For use with S, T, X, V, & W actuators 1 = White, 2 = Black, 3 = Red</p>	<p>SEALED BOOT E</p> <p>** For use with E, F, J, & G bushings only. Black color standard.</p>	<p>SEALED BOOT Z</p> <p>** For use with BZ & BZR bushings only. Black color standard.</p>
---	--	--

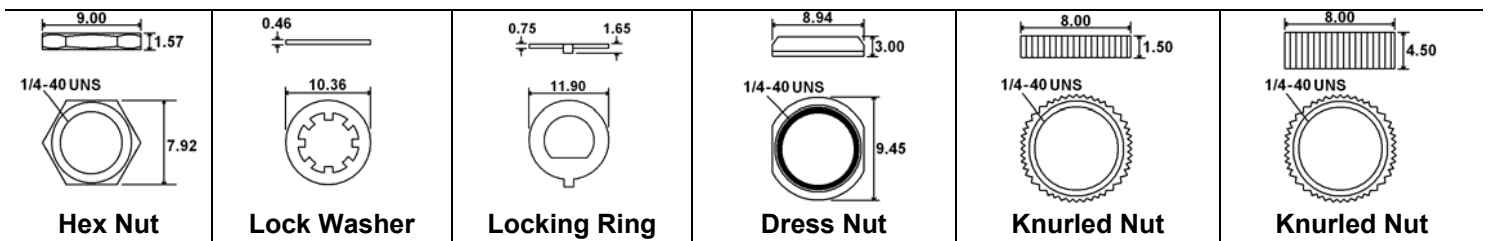
THREE WAY WIRING DIAGRAM



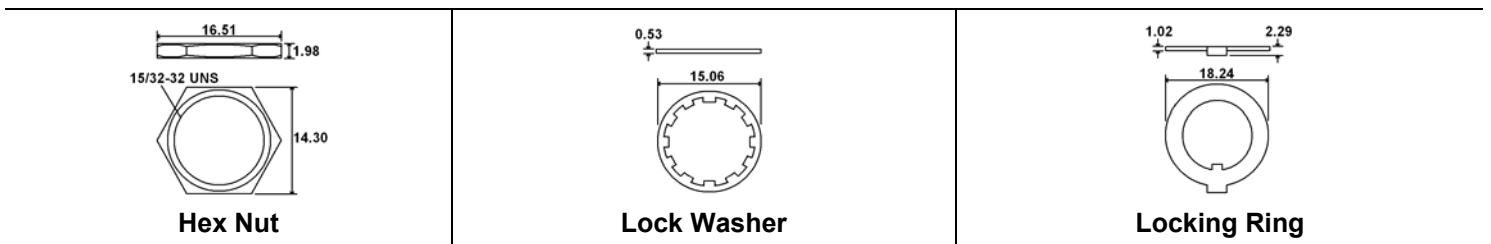
HARDWARE **Two hex nuts, one lock washer, & one locking ring supplied standard with threaded bushings



**For use with E, F, M, AR1, L, & K bushings



**For use with J, G, & AN1 bushings



**For use with BZ & BZR bushings