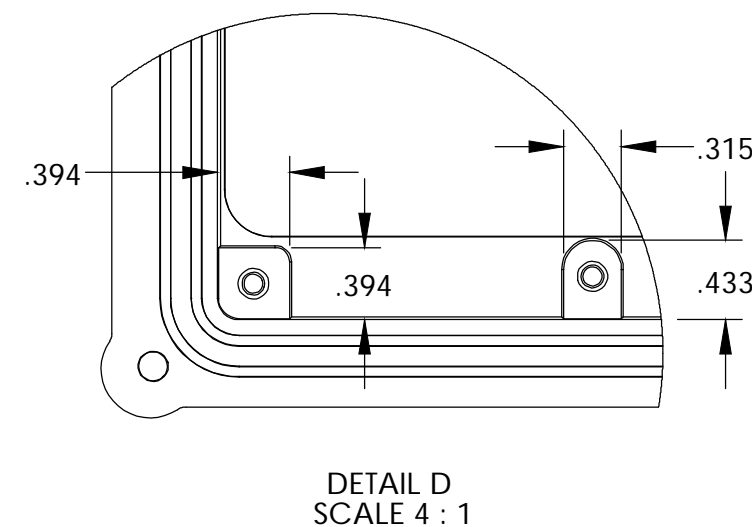


ϕ .125 x .315 DEEP BLIND HOLE
 (6x) IN BODY
 (4x) IN COVER
 {ACCEPTS M3.5 x 6mm (.236") LG.
 SELF-TAPPING SCREWS (NOT SUPPLIED)}

ϕ .175 x .315 DEEP BLIND HOLE (2x)
 {ACCEPTS M5 x 10mm (.394") LG.
 SELF-TAPPING SCREWS (NOT SUPPLIED)}



MEETS NEMA 1, 2, 4, 4X, 12, 13 AND IP65 RATINGS

MATERIAL - ALUMINUM ALLOY ADC-12

FINISH - NATURAL (NO SUFFIX PART NO.)
 - SMOOTH BLACK (-B SUFFIX PART NO.)

TOLERANCES: ALL HOLE DIAMETERS \pm .005
 ALL OTHER DIMENSIONS \pm .015