

Type ANF Automotive / Marine Limiter Fast Acting



www.optifuse.com (619) 593-5050

Specifications:

- **Voltage Rating:** 250 VAC, 32 VDC
- **Amperage Rating:** 35A, 40A, 50A, 60A, 80A, 100A, 125A, 130A, 150A, 175A, 180A, 200A, 225A, 250A, 275A, 300A, 325A, 350A, 400A

- **Interrupt Ratings:**
1000A @ 32VDC
1500A @ 250VAC

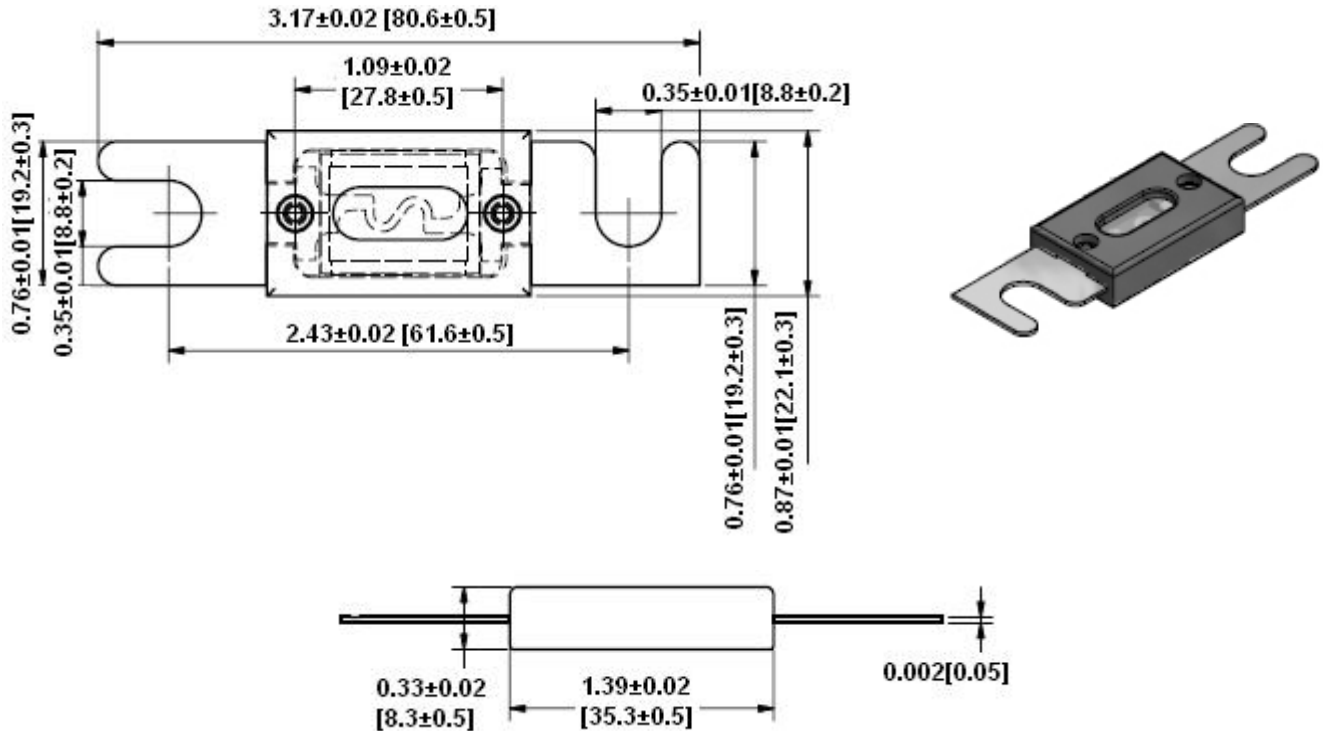
Time Characteristics	
% of Rated Current	Clearing Time
100%	Min 4h
250%	Max 300s

- **Construction:**
Body Material: Fiberglass (FR4)
Terminals: Gold-plated Copper

Recommended Mounting:

- Optifuse Fuse Block BLC-09 to 200A
- Optifuse Fuse Block BLC-209 to 400A

Mechanical Dimensions: Inches [mm]



	<p>Warning: -Operation beyond the specified maximum ratings or improper use may result in damage and possible electrical arcing and/or flame.</p>
	<p>-Avoid contact of device with chemical solvent. Prolonged contact may damage the device performance.</p>