

PART NAME

NEMA 4X DIE CAST ALUMINUM ENCLOSURE

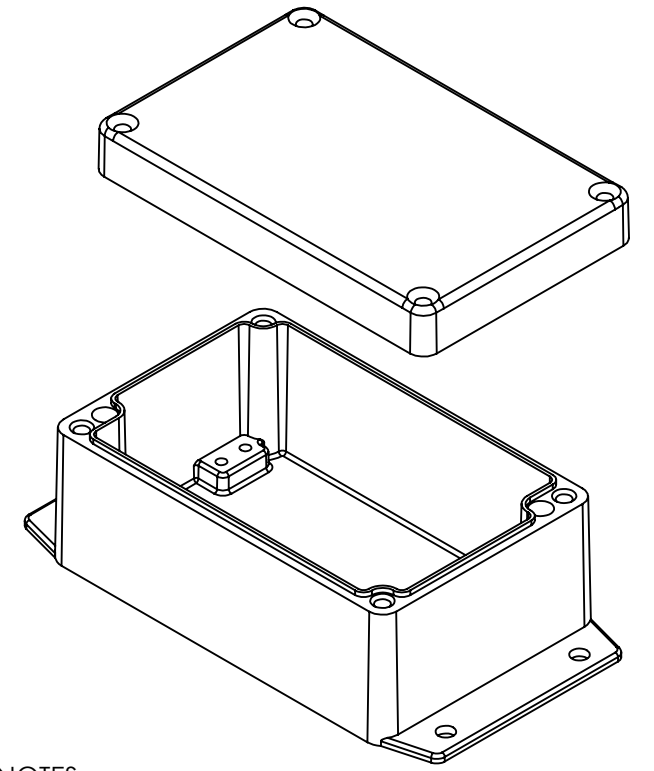
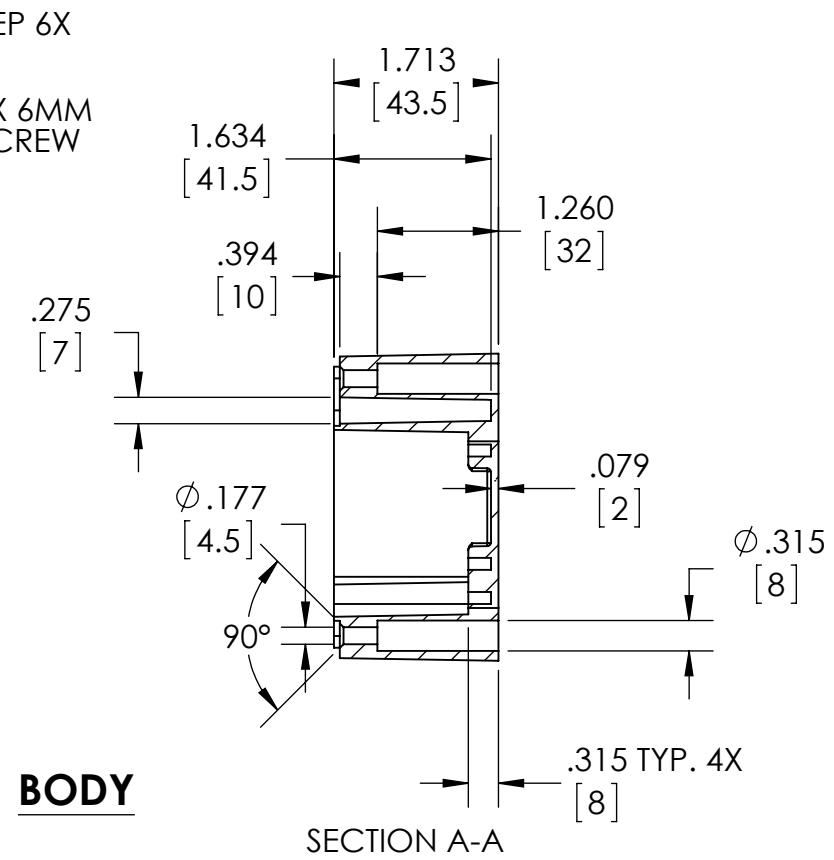
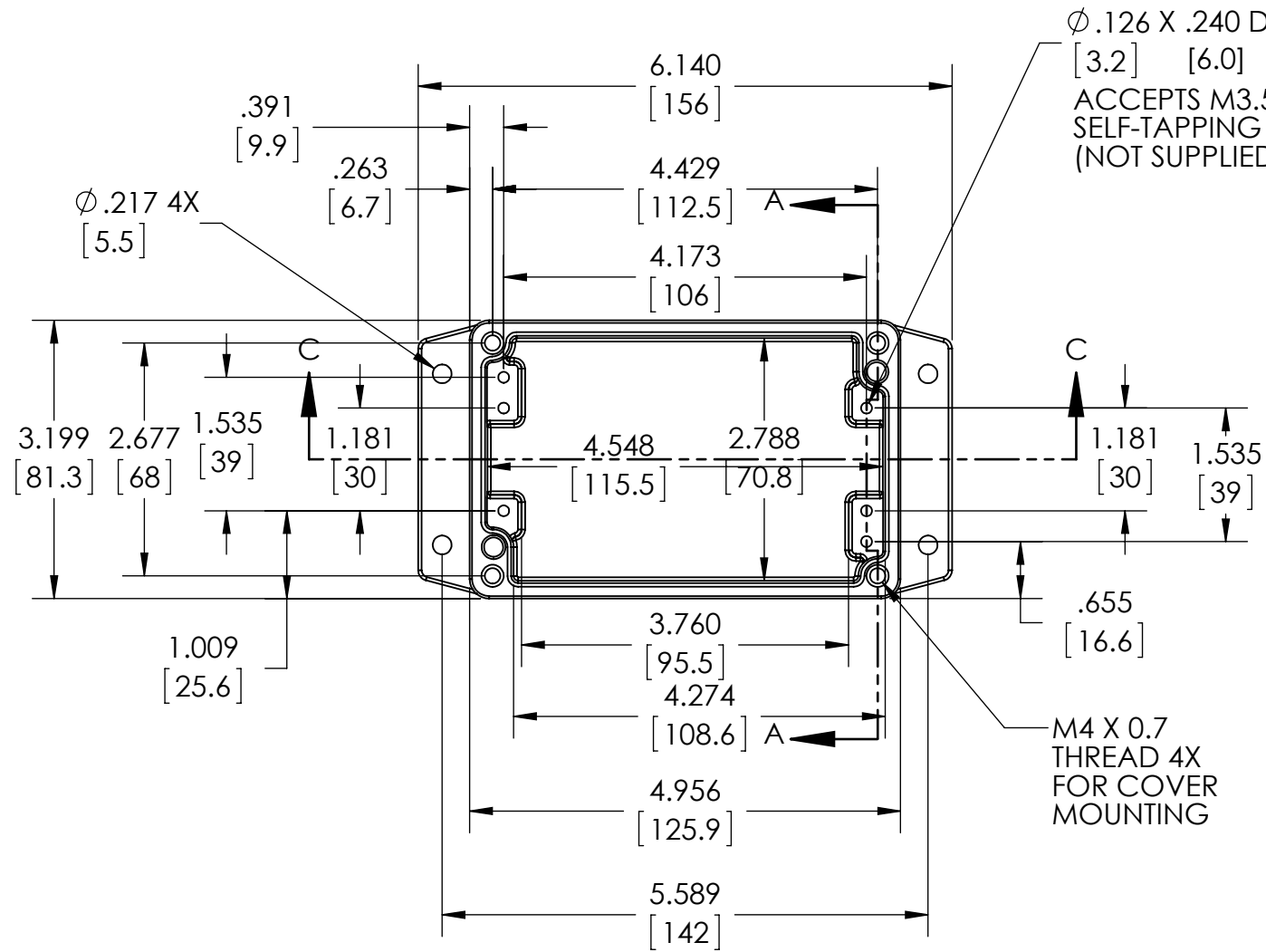
PART No.

AN-1314

AN-1314-G

REVISION DATE

2-10-14



- NOTES:
- 1- MATERIAL: ALUMINUM ALLOY ADC-12
 - 2- FINISH: NATURAL (NO SUFFIX) GRAY (SUFFIX -G)
 - 3- FOUR (4) M4 X 0.7mm SCREWS SUPPLIED FOR ASSEMBLY OF COVER TO BODY
 - 4- ALL HOLE DIAMETERS HAVE $\pm .005$ [12] TOLERANCE. ALL OTHER DIMENSIONS HAVE $\pm .015$ [38] TOLERANCE.
 - 5- ALL OUTSIDE DRAFT ANGLE: 1° ALL INSIDE DRAFT ANGLE: 1/2°
 - 6- DIMENSIONS ARE INCH[MM]

