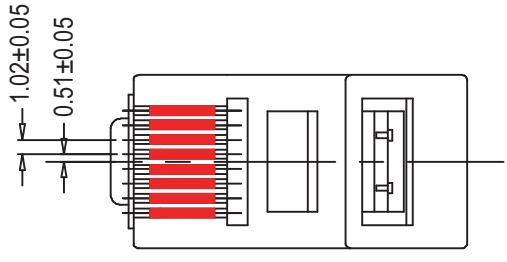
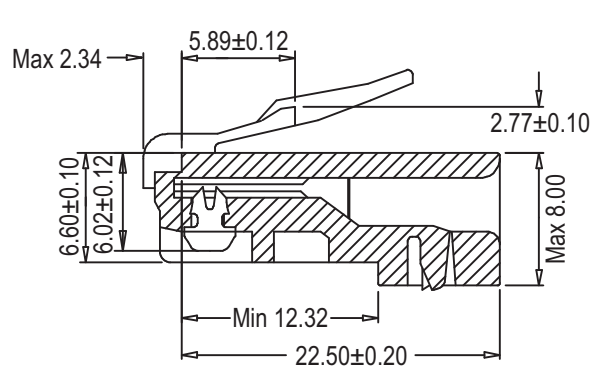
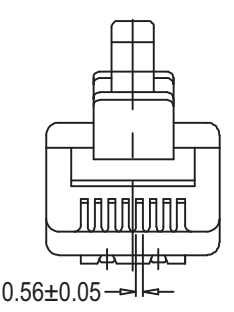


A



**MP8P8C R**



B

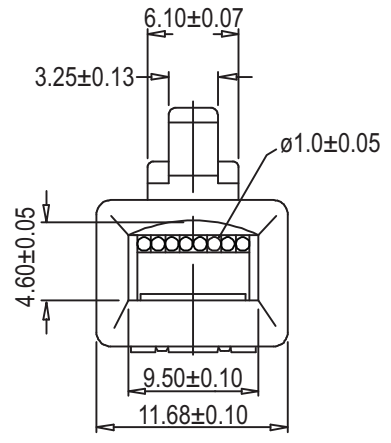
A

B

C

C

D



D

E

**Material:**

- Housing: Polycarbonate UL94V2
- Contact Blade: High Strength Copper Alloy
- 100 Micron Nickel underplated
- Plating type: 8% Phosphor Bronze
- Plating Thickness: 6µ" Gold plated
- Operating Temperature: -40°C ~ 125°C

E

**Electrical:**

- Current Rating: 250V AC / Max @2.0A
- Dielectric: 500V AC
- Insulation Resistance: 500MΩ

F

**Complies with FCC68/F**

F

Unit: MM

G

Scale	1:1						Name
TOLERANCE						Drawn	12.19.11
X.X	±0.40					Approved	Chappell
X.XX	±0.25						
X.XXX	±0.15						
Angle	±3°						
		Modification	Date	Name			

Item No.  
**A-MO-8/8-SR-R**

G

Title  
Modular Cable Plug - 8P8C, Round cable, Unshielded



Drawing No.

**rev00**

H

Replace Sheet