

Part Number: AM2520EH/ID5V

High Efficiency Red

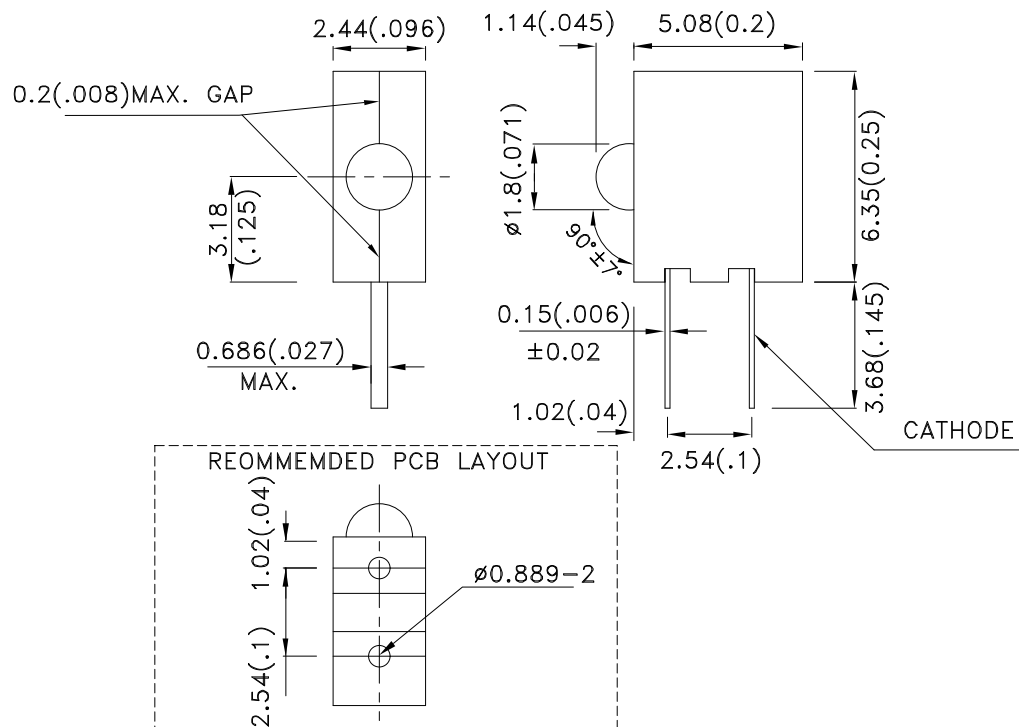
Features

- BLACK CASE ENHANCES CONTRAST.
- VIBRATION AND SHOCK RESISTANT.
- UL RATING:94V-0.
- HOUSING MATERIAL:TYPE 66 NYLON.
- 5V INTERNAL RESISTOR.
- RoHS COMPLIANT.

Description

The High Efficiency Red source color devices are made with Gallium Arsenide Phosphide on Gallium Phosphide Orange Light Emitting Diode.

Package Dimensions



1. All dimensions are in millimeters (inches).
2. Tolerance is $\pm 0.25 (0.01)$ " unless otherwise noted.
3. Lead spacing is measured where the leads emerge from the package.
4. Specifications are subject to change without notice.



Selection Guide

Part No.	Dice	Lens Type	Iv (mcd) [2] V= 5V		Viewing Angle [1]
			Min.	Typ.	2θ1/2
AM2520EH/ID5V	High Efficiency Red (GaAsP/GaP)	RED DIFFUSED	1.8	8	40°

Notes:

1. θ1/2 is the angle from optical centerline where the luminous intensity is 1/2 the optical centerline value.
2. Luminous intensity/ luminous Flux: +/-15%.

Electrical / Optical Characteristics at TA=25°C

Symbol	Parameter	Device	Typ.	Max.	Units	Test Conditions
λ_{peak}	Peak Wavelength	High Efficiency Red	627		nm	V _F =5V
λ_D [1]	Dominant Wavelength	High Efficiency Red	625		nm	V _F =5V
$\Delta\lambda_{1/2}$	Spectral Line Half-width	High Efficiency Red	45		nm	V _F =5V
I _F	Forward Current	High Efficiency Red	13	17.5	mA	V _F =5V
I _R	Reverse Current	High Efficiency Red		10	uA	V _R = 5V

Note:

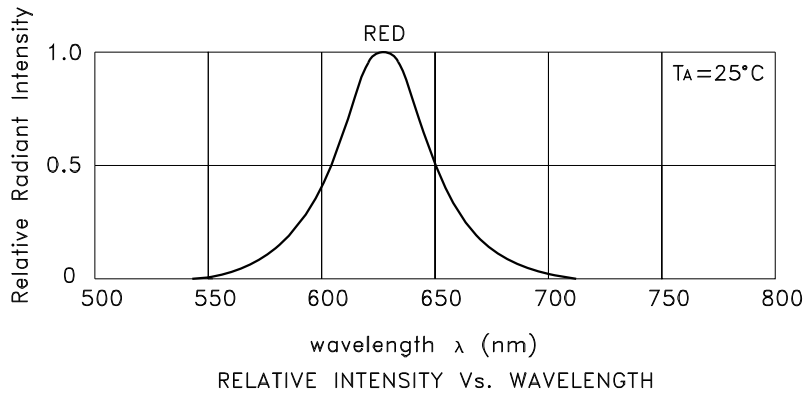
- 1.Wavelength: +/-1nm.

Absolute Maximum Ratings at TA=25°C

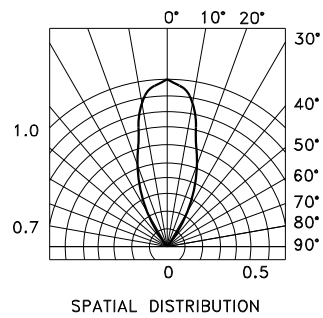
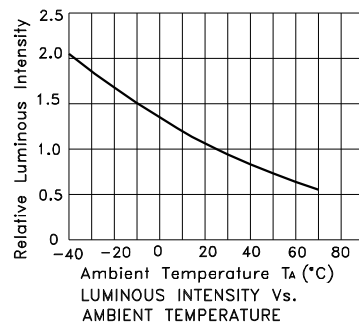
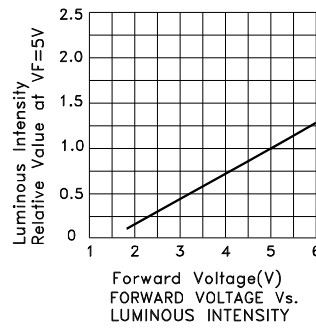
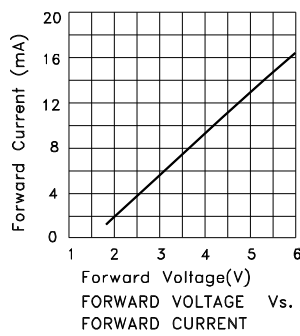
Parameter	High Efficiency Red	Units
Power dissipation	85	mW
Forward Voltage	6	V
Reverse Voltage	5	V
Operating Temperature	-40°C To +70°C	
Storage Temperature	-40°C To +85°C	
Lead Solder Temperature [1]	260°C For 3 Seconds	
Lead Solder Temperature [2]	260°C For 5 Seconds	

Notes:

1. 2mm below package base.
2. 5mm below package base.



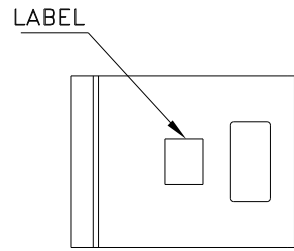
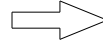
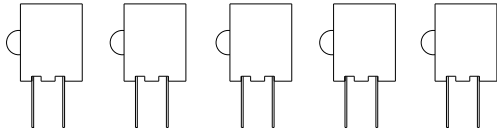
High Efficiency Red AM2520EH/ID5V



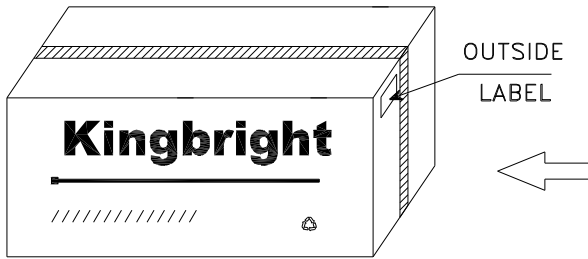
Kingbright

PACKING & LABEL SPECIFICATIONS

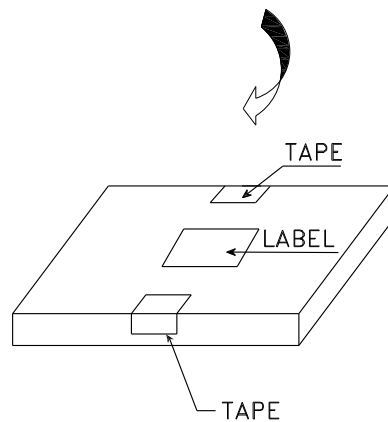
AM2520EH/ID5V



250PCS / BAG



32K / 9# BOX



1K/BOX

<h1>Kingbright</h1>							
P/NO: AM2520EH/xxx							
QTY: 250 pcs	Q.C.						
S/N: XXXX	<table border="1"> <tr> <td>Q</td> <td>C</td> </tr> <tr> <td>xx</td> <td>xx xxxx</td> </tr> <tr> <td colspan="2" style="text-align: center;">PASSED</td> </tr> </table>	Q	C	xx	xx xxxx	PASSED	
Q	C						
xx	xx xxxx						
PASSED							
CODE: XXX							
LOT NO:							
<p>xxxxxxxxxxxxxxxxxxxxxxxxxxxx</p> <p>RoHS Compliant</p>							