

# ACCESSORIES

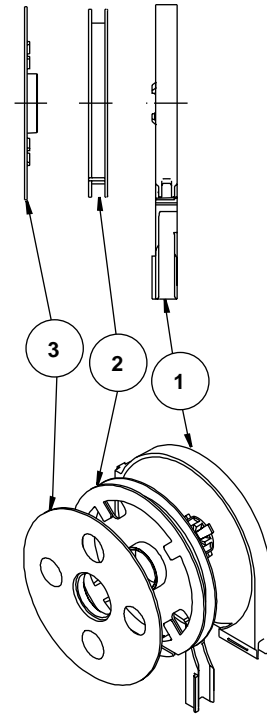
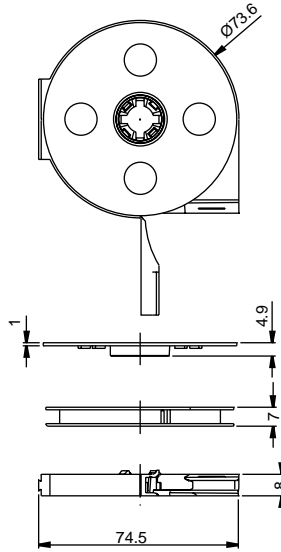
## EFA04 91 ASS

### Fiber Winding and Storage Reel



#### Features

- Fiber maintained on a 30mm radius
- Stores up to 5000mm of 900 micron fiber
- Also accepts ribbon fiber
- Easy pull-out of fiber
- Gentle winding motion by hand
- Board mountable using Stand-off EFA04 27 ASS (page 43)
- Stackable using Stacking Pillar EFA04 53 ASS (page 43)



A Europlus/Richco product

Material: Flame Retardant Polyamide 6 (UL 94V0)

Color: Black

Standard Pack: 50 per bag

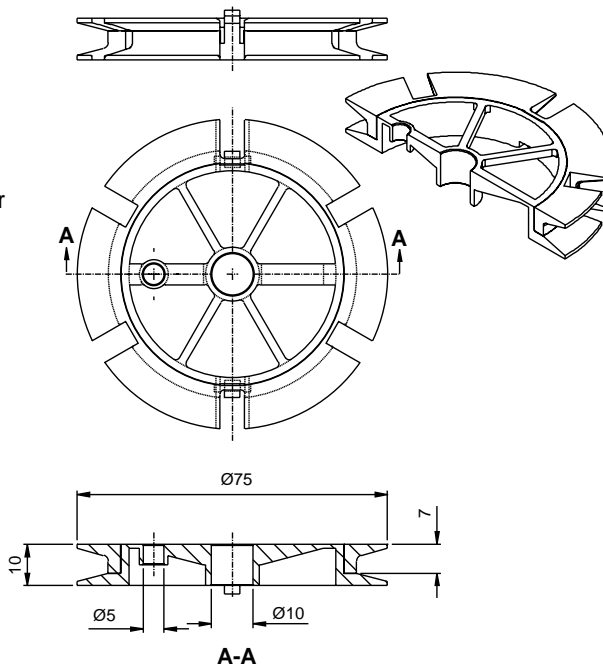
Dimensioned in millimeters

## EFA04 67 ASS

### Fiber Winding Reel

#### Features

- Intended to be used with Identification Tape (one piece per reel included)
- Wound fiber is taped to maintain bend radius and provide identification
- Two-part reel is then disassembled for easy fiber removal
- Stores up to 8000mm of 900 micron fiber at a 30mm radius
- Reusable



A Europlus/Richco product

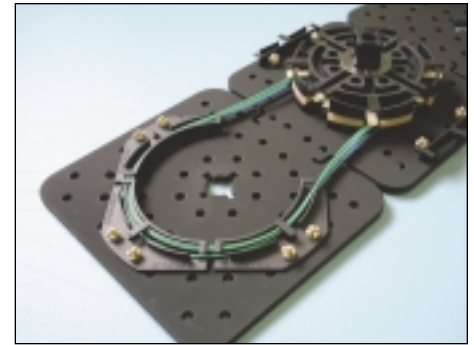
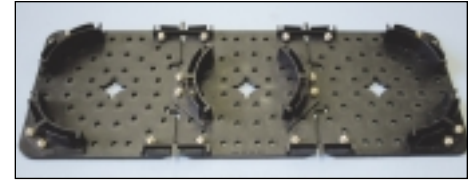
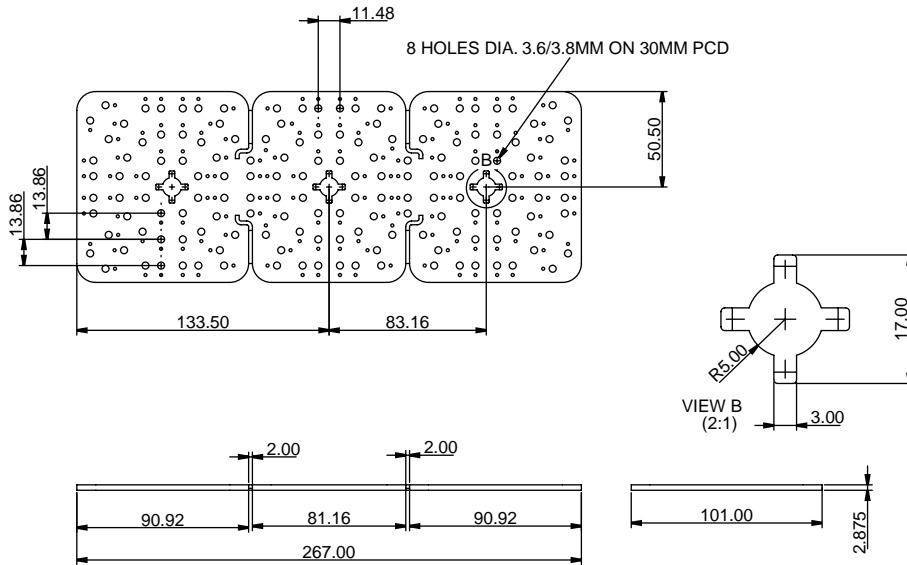
Material: 40% Glass-filled Liquid Crystal Polymer

Color: Black

Standard Pack: 50 per bag

Dimensioned in millimeters

## EFA04 78 002 Multi-Position Array Tray



### Features

- Design layout using various Corner Guides (page 44) and Fiber Reels (page 42)
- Stackable using Stacking Pillar EFA04 53 ASS (page 43)
- Board mountable using Stand-off EFA04 27 ASS (page 43)
- Can be broken apart into 3 segments

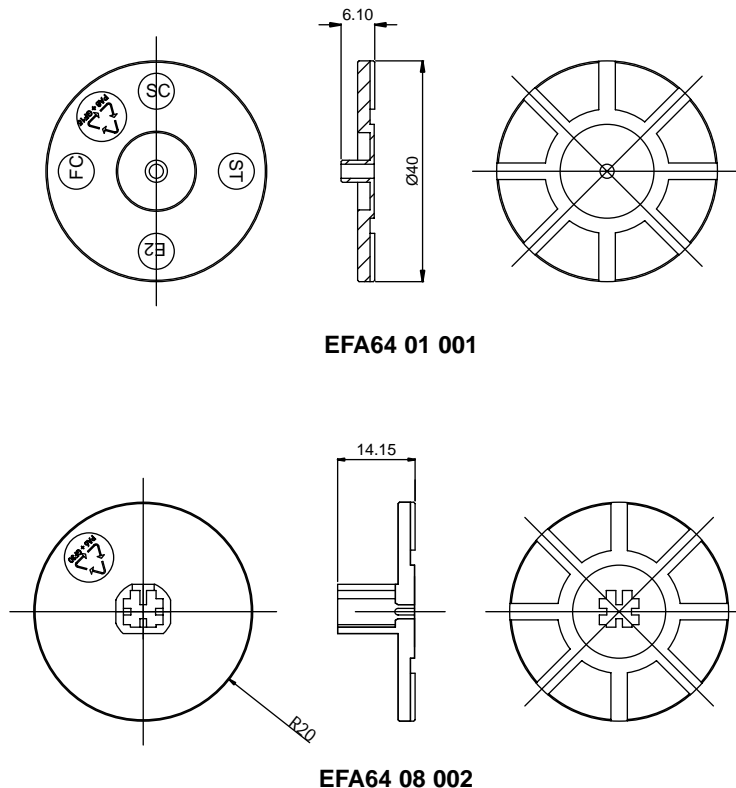
A Europlus/Richco product

Material: Flame Retardant Polyamide 6 (UL 94V0)  
Color: Black

Standard Pack: 50 per bag

Dimensioned in millimeters

## EFA64 XX XXX Polishing Puck



### Features

- Maintains perpendicular placement of ferrule to polishing surface
- EFA64 01 001 accepts FC, SC, ST and E2 connectors
- EFA64 08 002 accepts MT-RJ connectors

A Europlus/Richco product

Material: 15% Glass-filled Polyamide 6 • Color: Black

Standard Pack: 50 per bag

Part No.

EFA64 01 001

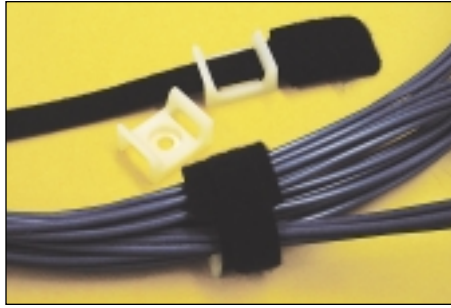
EFA64 08 002

Dimensioned in millimeters

# ACCESSORIES

## RKW

### Richco Kwik Wrap

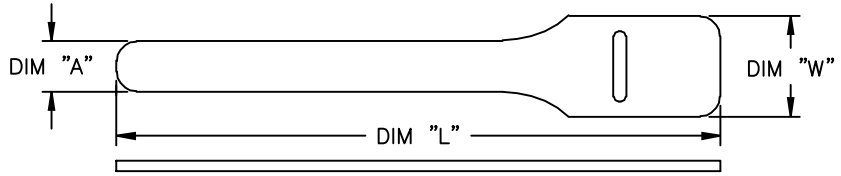


**NOTE:**

See FTH-27 for a Flat Tie Holder designed for RKW Series

**Features**

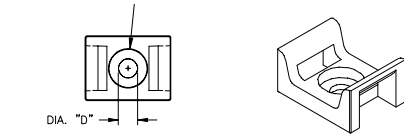
- Custom sizes and styles available by special order
- Excellent in reusable applications
- Won't pinch fiber



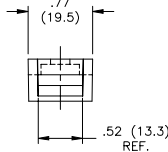
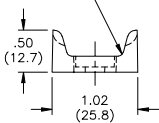
### FTH-27 Flat Tie Holder

**Features**

- Accommodates RKW series ties up to 1/2" wide



ACCOMMODATES "RKW" SERIES TIES UP TO 1/2" WIDE



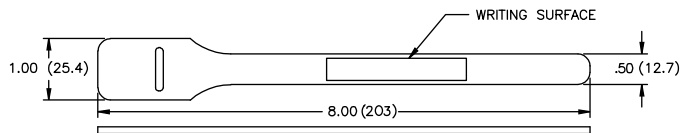
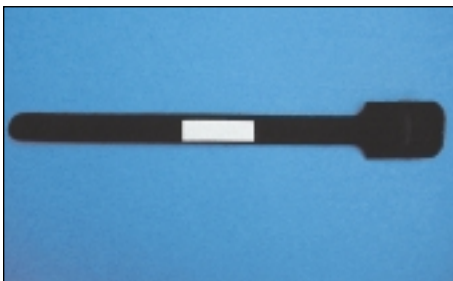
• UL #E71558

Material: Low Density Polyethelene Hook • Nylon Knit Loop • Color: Black (-BK), White (-W), Blue (-BL), Red (-R), Yellow (-YL), Green (-GN), Orange (-OR). Specify suffix when ordering.

Part No.	Standard Pack: 100 per bag		
	"A" ± 1/8 (3.2)	"W" ± .125 (3.2)	"L" ± 1/2 (12.7)
RKW-6-6	3/8 (9.5)	.75 (19.1)	6 (152.4)
RKW-8-6	1/2 (12.7)	1.0 (25.4)	8 (203.2)
RKW-8-8			11 (279.4)
RKW-8-11			15 (381.0)
RKW-12-15	3/4 (19.1)	1.5 (38.1)	18 (457.2)
RKW-12-18			24 (609.6)
RKW-12-24			

## RKWID-8-8

### Richco Kwik Wrap, Identification



**Features**

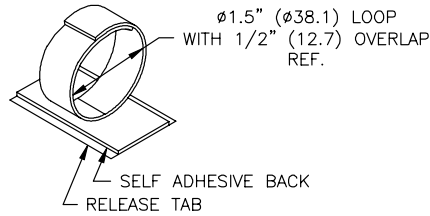
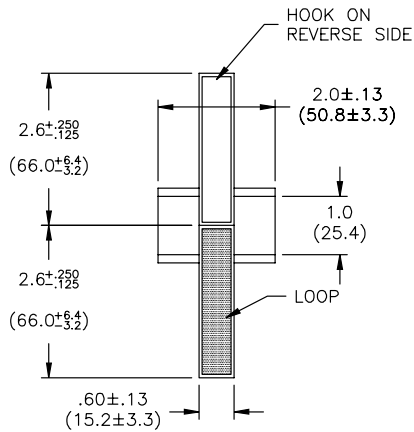
- Identifies wires, bundles, leads or terminals

Material: Low Density Polyethelene Hook • Nylon Knit Loop • Color: Black (-BK), White (-W), Blue (-BL), Red (-R), Yellow (-YL), Green (-GN), Orange (-OR). Specify suffix when ordering.

Standard Pack: 100 pieces

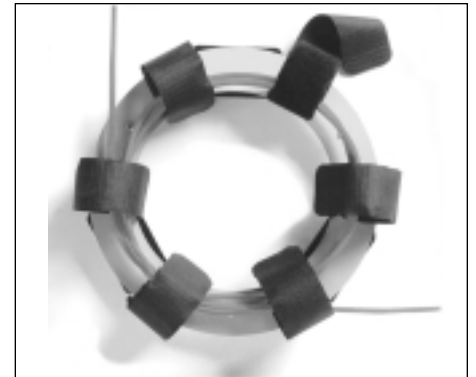
## RKWB

### Richco Kwik Wrap on Base



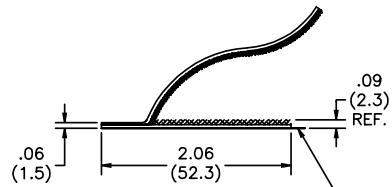
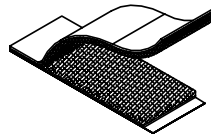
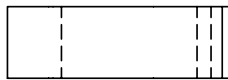
#### Features

- Accommodates a wide variety of diameters
- Releasable

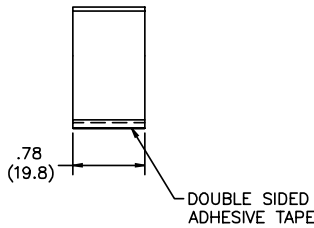


Material: Low Density Polyethelene Hook • Nylon Knit Loop • Color: Black

Standard Pack: 100 per bag



TYPICAL RELEASE TAB LOCATION



DOUBLE SIDED ADHESIVE TAPE

## RKWFA-16-300

### Richco Kwik Wrap - Adhesive Flat Wiring



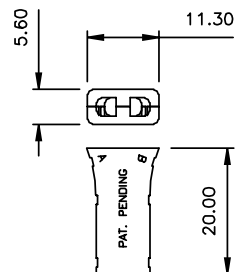
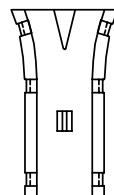
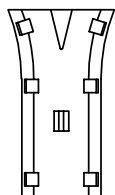
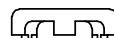
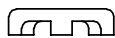
Material: Low Density Polyethelene Hook • Nylon Knit Loop • Color: Black

Standard Pack: 100 pieces

PART A (FEMALE)

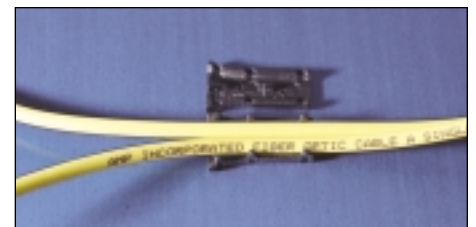
PART B (MALE)

FINAL ASSEMBLY - FULL SIZE



## OFDS-1

### Optical Fiber Duplex Splitter



#### Features

- For use on 3mm dual patchcord fibers to stop continued pigtail splitting
- Two-piece design snaps together

Material: ABS • Color: Black

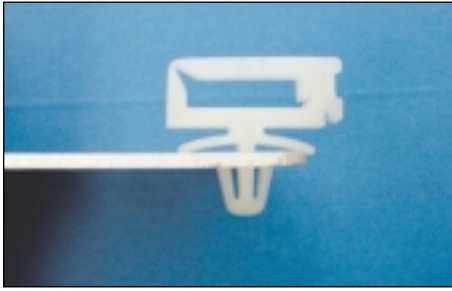
Standard Pack: 1000 of each per bag

Dimensioned in millimeters

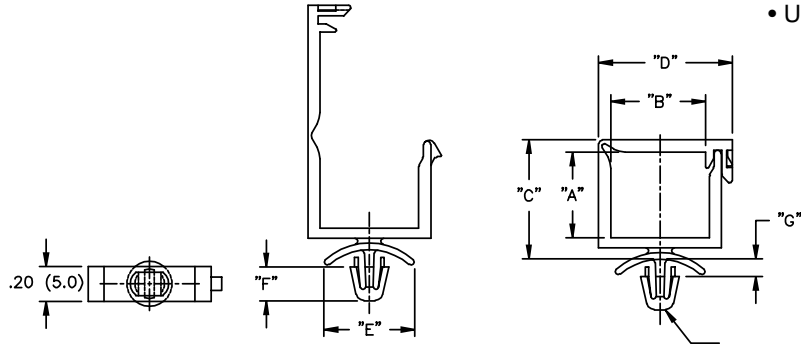
# ACCESSORIES

## WSLT

### Wire Saddle Locking Top



• UL #E71558



TO SNAP-LOCK INTO INDICATED DIA. HOLE, AND IN A .062 (1.57) NOMINAL THICK BOARD

#### Features

- Safely isolates cable or wire from board components
- Lock is releasable for repair, replacement or addition of wire or cable

Color: Natural									
Part No.	Standard Pack: 1000 per bag								
Material: Nylon 6/6, RMS-01	Material: Flame Retardant Nylon, RMS-19	Dim. "A"	Dim. "B"	Dim. "C"	Dim. "D"	Dim. "E"	Dim. "F"	Dim. "G"	Hole Dia. ± .003 (±0.08)
WSLT-3.5-2-1-01	WSLT-3.5-2-1-19	.13 (3.4)	.53 (13.5)	.35 (8.8)	.77 (19.6)	.38 (9.5)	.118 (3.0)	.10 (2.5)	.138 (3.50)
WSLT-01-1-01	WSLT-01-1-19								
WSLT-01A-01	WSLT-01A-19	.19 (4.8)	.42 (10.7)	.41 (10.4)	.66 (16.8)	.62 (15.8)	7/32 (5.6)	.11 (2.8)	.187 (4.75)
WSLT-01-2-01	WSLT-01-2-19	.36 (9.1)		.59 (15.0)					
WSLT-02A-01	WSLT-02A-19	.39 (10.0)	.64 (16.3)	.61 (15.5)	.88 (22.4)				
WSLT-03-2-01	WSLT-03-2-19	.56 (14.1)		.87 (22.0)					
WSLT-03-3-01	WSLT-03-3-19	.85 (21.7)	.71 (18.0)	1.08 (27.5)	.95 (24.1)				

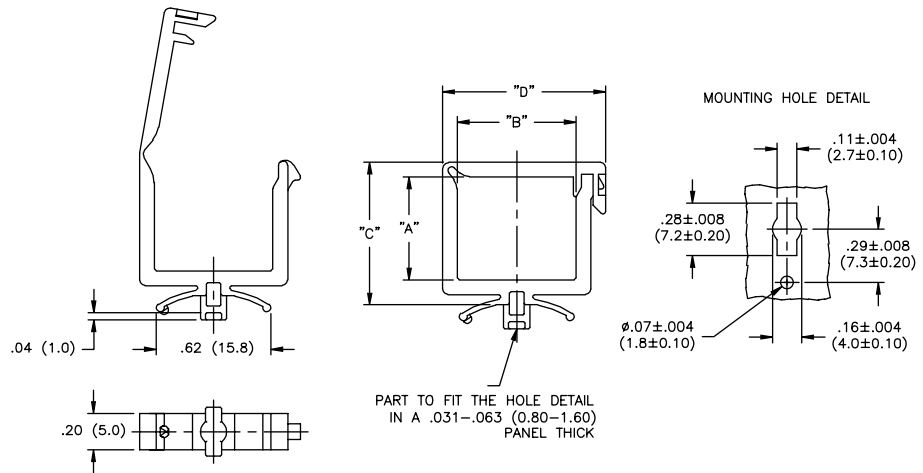
## WSLT-9

### Wire Saddle, Locking Top Quarter-Turn Base



#### Features

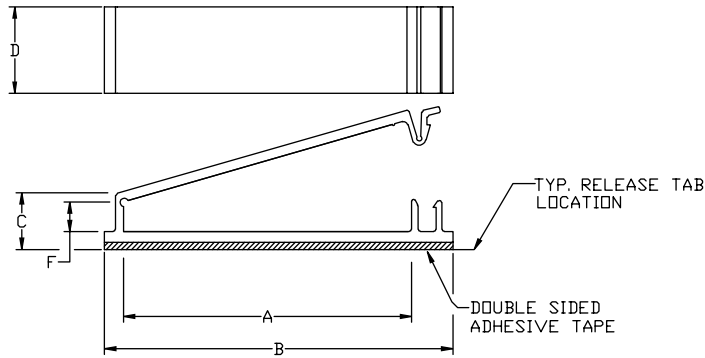
- Low bottom-of-the-board protrusion
- Easily releasable
- Reusable



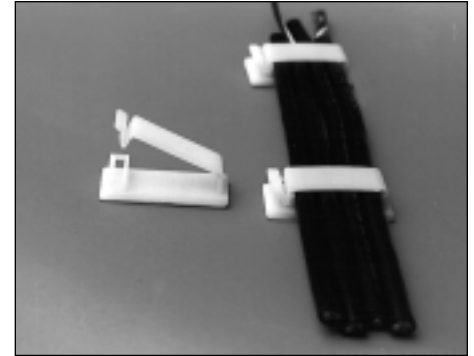
PART TO FIT THE HOLE DETAIL IN A .031-.063 (0.80-1.60) PANEL THICK

Material: Nylon 6/6, RMS-01 • Color: Natural									
Part No.	Standard Pack: 1000								
	"A"	"B"	"C" Ref.	"D"	"E"	"F"	"G"	"H"	
WSLT-9-01A-01	.201 (5.1)	.421 (10.7)	.26 (6.6)	.661 (16.8)	.563 (14.3)	.197 (5.0)	.134 (3.4)	.039 (1.0)	
WSLT-9-01-2-01	.358 (9.1)		.441 (11.2)						
WSLT-9-02-1-01	.134 (3.4)	.531 (13.5)	.209 (5.3)	.772 (19.6)					
WSLT-9-02A-1-01	.394 (10.0)		.461 (11.7)						
WSLT-9-03-2-01	.555 (14.1)	.642 (16.3)	.717 (18.2)	.882 (22.4)					
WSLT-9-03-3-01	.854 (21.7)		.933 (23.7)						.949 (24.1)

Flame retardant nylon available by special order. To order, replace -01 with -19



**EFCW**  
Extruded Flat Cable Clamp



Material: Clip Base - Rigid PVC, RMS-04; Bottom Adhesive 1/16 (1.6) Thick, RMS-15 • Color: Natural

Part No.	Max. No. of Conductors	Standard Pack: 100 per bag				
		"A" ± .015 (0.4)	"B" ± .020 (0.5)	"C" Ref.	"D" ± .014 (0.4)	"F" ± .020 (0.5)
EFCW-29A-RT	30	1.24 (31.5)	1.79 (45.5)	.40 (10.2)	.75 (19.1)	.22 (5.6)
EFCW-30A-RT		1.26 (32.0)	1.80 (45.7)			
EFCW-40A-RT	40	1.56 (39.6)	2.11 (53.6)	.51 (13.0)	.76 (19.3)	.28 (7.1)
EFCW-50A-RT	50	2.52 (64.0)	3.05 (77.5)			

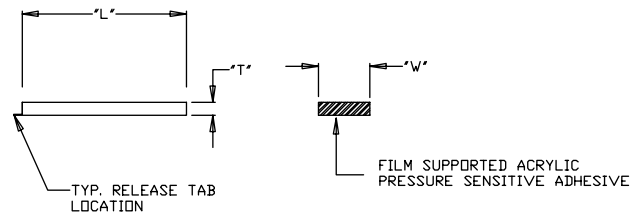


• UL #E57750

SILICONE FOAM ROLLS			
Part No.	"T" ± .015 (0.4)	"L" ± .13 (3.2)	"W" .030 (0.8)
SF2R	.13 (3.2)	180 (4572)	.75 (19.1)
SF3R	.19 (4.8)		

USAGE CHART		
Silicone Foam is cut to length to fit into the Extruded Flat Cable Clamps		
Part No.	Apply this Part No.	In this Quantity
EFCW-29	SF2-30	2
EFCW-30	SF2-30	
	EFCW-40	SF3-30
SF2-40		
EFCW-50	SF3-40	
	SF2-50	
EFCW-50	SF2-50	1
	SF3-50	

Install SF2 on bottom & SF3 on top. Exception for EFCW-29 install SF2 on top & bottom.



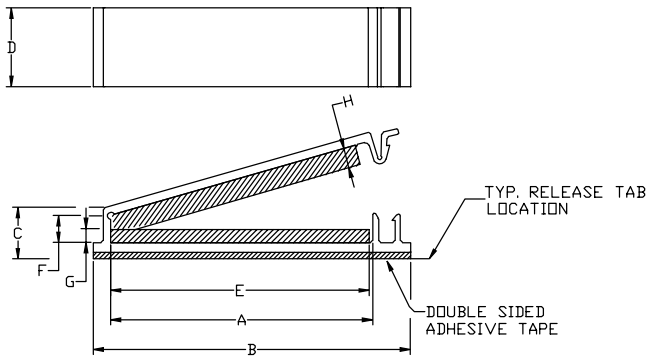
**SF**  
Silicone Foam

Material: Adhesive Backed V-0 Silicone Foam, RMS-135 • Color: Gray

Part No.	Standard Pack: 100 per bag		
	"T" ± .015 (0.4)	"L" ± .030 (0.8)	"W" ± .030 (0.8)
SF2-30	.13 (3.3)	1.23 (31.2)	.75 (19.1)
SF2-40		1.53 (38.9)	
SF2-50		2.49 (63.2)	
SF3-30		1.23 (31.2)	
SF3-40	1.53 (38.9)		
SF3-50	2.49 (63.2)		

## EFCWSF

Extruded Flat Cable Clamp with Silicone Foam



### Features

- Provides hold for varying thickness cables and is gentle on fiber cables

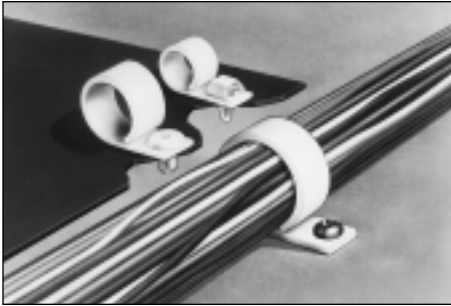


Material: Clip Base - Rigid PVC, RMS-04; Foam - V-0 Silicone, RMS-135; Bottom Adhesive 1/16 (1.6) Thick, RMS-15 • Color: Natural

Part No. with Rubber Cushion	Max. No. of Conductors	Standard Pack: 100 per bag							
		"A" ± .015 (0.4)	"B" ± .020 (0.5)	"C" Ref.	"D" ± .015 (0.4)	"E" Ref.	"F" ± .020 (0.5)	"G" Ref.	"H" Ref.
EFCWSF-29A-RT	30	1.24 (31.5)	1.79 (45.5)	.40 (10.2)	.75 (19.1)	1.23 (31.2)	.22 (5.6)	.13 (3.3)	.13 (3.2)
EFCWSF-30A-RT		1.26 (32.0)	1.80 (45.7)						
EFCWSF-40A-RT	40	1.56 (39.6)	2.11 (53.6)	.51 (13.0)	.76 (19.3)	1.53 (38.9)	.28 (7.1)		.19 (4.8)
EFCWSF-50A-RT	50	2.52 (64.0)	3.05 (77.5)						

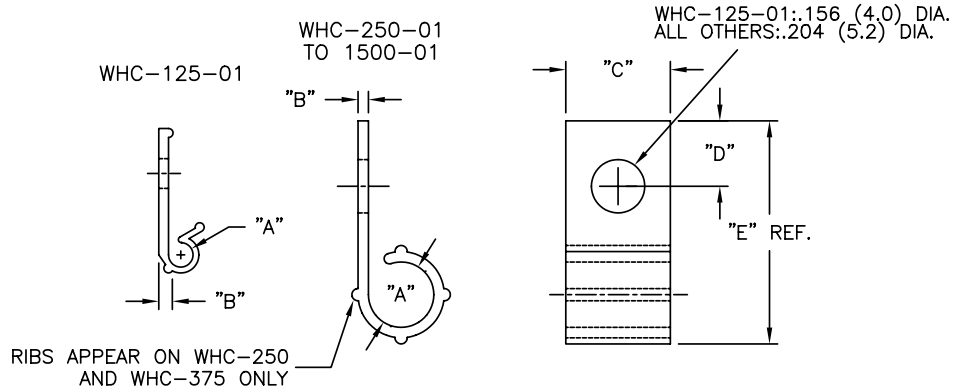
# ACCESSORIES

## WHC Wire Harness



### Features

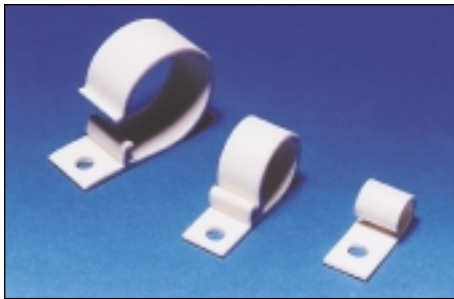
- Cable and wire can be installed or removed for repair without removing clamp
- Mounts with screws, mounting buttons or rivets



Material: Nylon 6/6, RMS-01 • Color: Natural						
Part No.	"A" (Holding Diameter)	"B"	"C"	"D"	"E" Ref.	Standard Pack
WHC-125-01	1/8 (3.2)	.05 (1.3)	.33 (8.4)	.23 (5.8)	.75 (19.1)	1000 per Bag
WHC-250-01	1/4 (6.4)	.04 (1.0)	.40 (10.2)	.25 (6.4)	.83 (21.1)	
WHC-375-01	3/8 (9.5)	.05 (1.3)		.19 (4.8)	.83 (21.1)	
WHC-500-01	1/2 (12.7)	.07 (1.8)		.25 (6.4)	1 - 5/32 (29.4)	
WHC-625-01	5/8 (15.9)	.08 (2.0)	.50 (12.7)	.19 (4.8)	1 - 1/8 (28.6)	
WHC-750-01	3/4 (19.1)	.08 (2.0)			1 - 9/32 (32.5)	
WHC-1000-01	1 (25.4)	.09 (2.3)			1 - 17/32 (38.9)	
WHC-1500-01	1 - 1/2 (38.1)	.10 (2.5)			2 - 1/8 (53.9)	

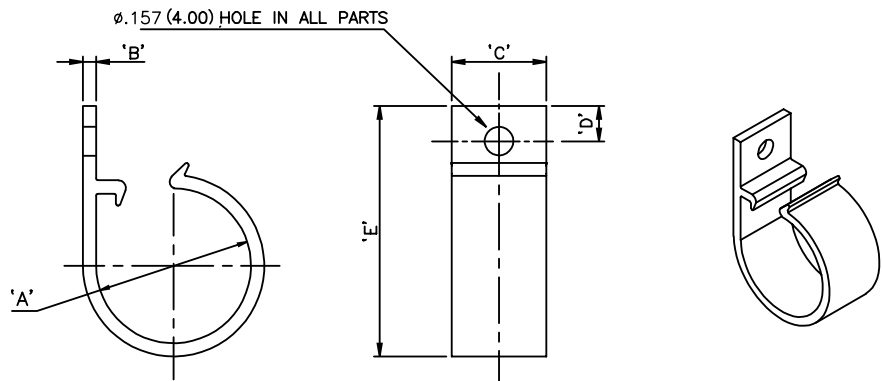
Part available in V-0 material by special order. To order, replace -01 with -19

## EXWHC Extruded Wire Harness Clip



### Features

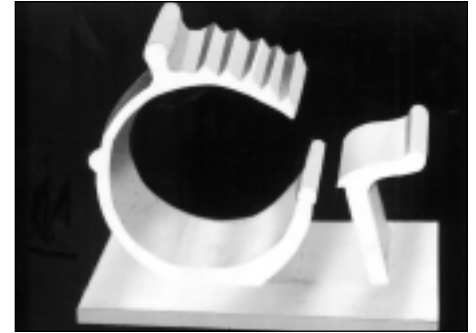
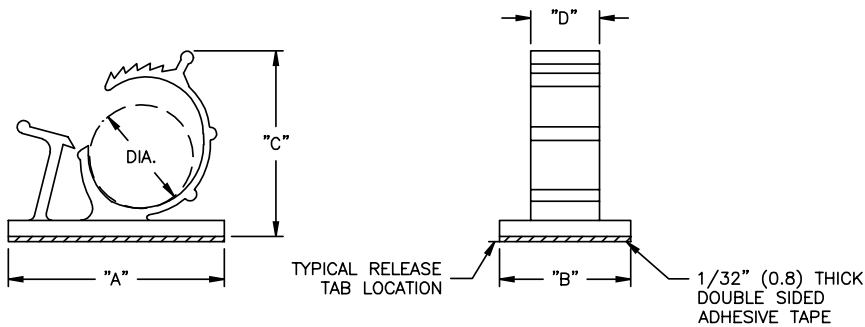
- Locking mechanism ensures cable hold down



Material: PVC • Color: Off White					
Part No.	Standard Pack: 1000				
	"A" Holding Dia.	"B"	"C"	"D"	"E" Ref.
EXWHC-250*	.25 (6.35)	.07 (1.8)	.394 (10.0)	.188 (4.8)	.854 (21.7)
EXWHC-500	.50 (12.7)		1.18 (30.0)		
EXWHC-750	.75 (19.0)		1.34 (34.0)		

\*EXWHC-250 is produced with no latch feature

## AKKL Adjustable Kwik Klip



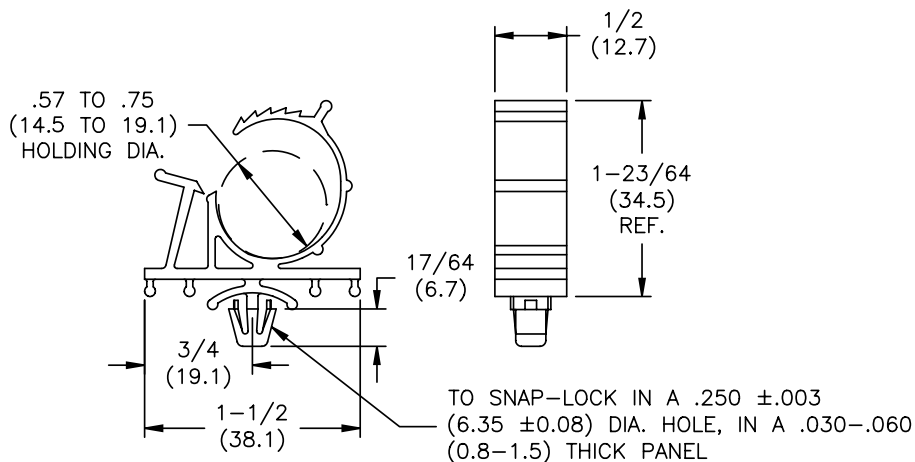
### Features

- Locks securely and can be easily reopened for routing changes
- Adjustable to various diameters

Material: Nylon 6/6, RMS-01 or Flame Retardant Nylon, RMS-19; Adhesive Back, RMS-15\* • Color: Natural

Part No.				Standard Pack: 100 pieces				
Nylon w/o Tape	Nylon w/Tape	V-0 Nylon w/o Tape	V-0 Nylon w/Tape	Bundle Dia. Range Ref.	"A" ± .015 (0.4)	"B" ± .015 (0.4)	"C" Ref.	"D"
AKKL-2140-01	AKKL-2140-A-RT*	AKKL-2140-19	AKKL-2140-A-RT-19*	.215-.258 (5.5-6.5)	.87 (22.0)	.669 (17.0)	.708 (18.0)	.39 (10.0)
AKKL-3140-01	AKKL-3140-A-RT	AKKL-3140-19	AKKL-3140-A-RT-19	.312-.406 (7.9-10.3)	1.0 (25.4)	.750 (19.1)	.866 (22.0)	.40 (10.2)
AKKL-4756-01	AKKL-4756-A-RT	AKKL-4756-19	AKKL-4756-A-RT-19	.469-.562 (11.9-14.3)	1.25 (31.8)		1.09 (27.7)	.50 (12.7)
AKKL-5775-01	AKKL-5775-A-RT	AKKL-5775-19	AKKL-5775-A-RT-19	.578-.750 (14.7-19.1)	1.50 (38.1)	1.25 (31.8)	.50 (12.7)	
AKKL-8710-01	AKKL-8710-A-RT	AKKL-8710-19	AKKL-8710-A-RT-19	.875-1.00 (22.2-25.4)	2.0 (50.8)	1.75 (44.5)		

## PAKKL Plug In Adjustable Kwik Klip



### Features

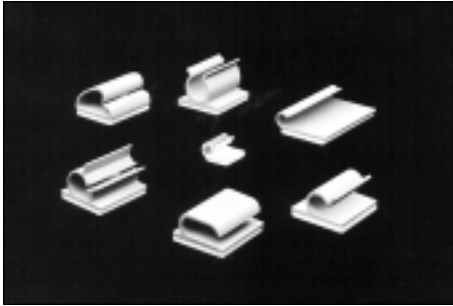
- Locks securely and can be easily reopened for routing changes
- Adjustable to various diameters

Material: Nylon 6/6, RMS-01 or Flame Retardant Nylon, RMS-19 • Color: Natural	
Part No.	Standard Pack: 100 per bag
	Material
PAKKL-5775-01	Nylon 6/6 (RMS-01)
PAKKL-5775-19	Nylon 6/6 (RMS-19)



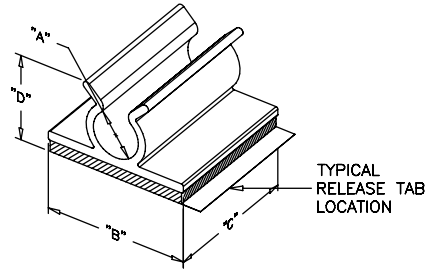
# ACCESSORIES

## KKU Kwik Klip Type "U"



### Features

- 1/4" diameter holding clip is excellent for routing the 1/4" (6.35mm) diameter Bend Limiting Tubing found on page 26



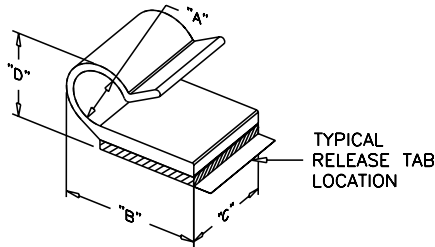
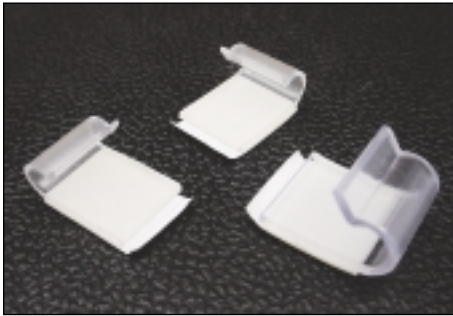
Material: PVC, RMS-04 • Adhesive Back, 1/16" (1.59mm) thick, RMS-15 • Color: Gray

Part No.	Holding Capacity "A"	"B" ±.015 (0.4)	"C" ±.02 (0.5)	"D" At Max Capacity Ref.	Standard Pack
KKU-2-RT	1/8 (3.2)	3/4 (19.1)	3/4 (19.1)	9/32 (7.1)	500
KKU-4-RT	1/4 (6.4)			15/32 (11.9)	
KKU-6-RT	3/8 (9.5)			19/32 (15.1)	
KKU-8-RT	1/2 (12.7)	1 (25.4)	1 (25.4)	11/16 (17.5)	100
KKU-9-RT	9/16 (14.3)			3/4 (19.1)	
KKU-12-RT	3/4 (19.1)			29/32 (23.0)	

Also available in clear PVC, RMS-32 by special order. Custom lengths available by special order.

## MKKJ

### Micro Kwik Klip Type "J"

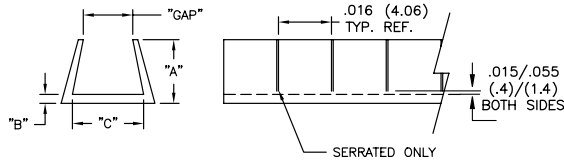
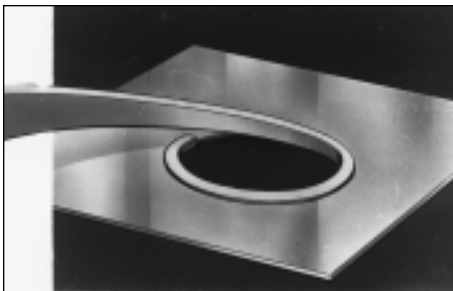


Material: Rigid PVC, RMS-32 • Adhesive Back, 1/32" (.8mm) thick, RMS-15 • Color: Clear

Part No.	Standard Pack: 1000 per bag			
	Holding Capacity "A"	"B" ±.015 (0.4)	"C" ±.02 (0.5)	"D" At Max Capacity Ref.
MKKJ-2-RT	1/8 (3.2)	7/16 (11.1)	3/8 (9.5)	15/64 (6.0)
MKKJ-3-RT	3/16 (4.8)	5/8 (15.9)	7/16 (11.1)	21/64 (8.3)
MKKJ-4-RT	1/4 (6.4)	21/32 (16.7)	1/2 (12.7)	13/32 (10.3)
MKKJ-5-RT	5/16 (7.9)	13/16 (20.6)	9/16 (14.3)	31/64 (12.3)
MKKJ-6-RT	3/8 (9.5)	7/8 (22.2)	5/8 (15.9)	9/64 (14.3)

Custom lengths available by special order.

## NGS/PGS/SNGS/SPGS Continuous Grommet Strip



### Features

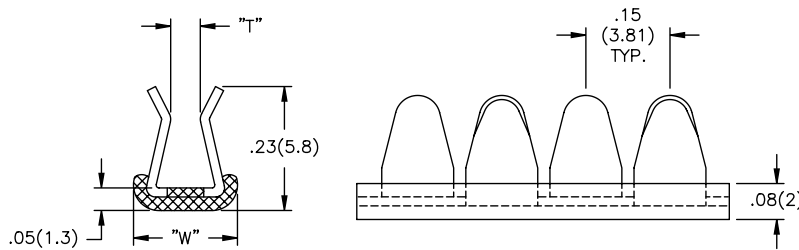
- Insulates wires from chafing
- Can be used for round, square and rectangular shapes

Color: Natural or Black; Add B for black.

Solid Lengths	Serrated Lengths	Standard Pack: 100 ft. (3048 cm) Rolls; custom lengths available by special order				Material	Panel Thickness Range
Part No.	Part No.	"A" Ref	"B" Ref	"C" Ref	"Gap" Ref		
NGS-1	SNGS-1	.125 (3.2)	.031 (0.8)	.031 (0.8)	.018 (0.5)	Nylon (RMS-21)	UP TO .036 (0.9)
NGS-2	SNGS-2	.172 (4.4)		.109 (2.8)	.037 (0.9)		.072 (1.8) - .105 (2.7)
NGS-2.5	SNGS-2.5			.156 (4.0)	.060 (1.5)		.106 (2.7) - .164 (4.2)
NGS-3	SNGS-3	.188 (4.8)		.188 (4.8)	.106 (2.7)		.165 (4.2) - .187 (4.7)
NGS-4	SNGS-4			.250 (6.4)	.187 (4.7)		.188 (4.8) - .250 (6.4)
NGS-5	SNGS-5						
PGS-1	SPGS-1	.125 (3.2)	.031 (0.8)	.031 (0.8)	.018 (0.5)	Polyethylene (RMS-06)	UP TO .036 (0.9)
PGS-2	SPGS-2	.172 (4.4)		.109 (2.8)	.037 (0.9)		.037 (0.9) - .071 (1.8)
PGS-2.5	SPGS-2.5			.156 (4.0)	.060 (1.5)		.106 (2.7) - .164 (4.2)
PGS-3	SPGS-3	.188 (4.8)		.188 (4.8)	.106 (2.7)		.165 (4.2) - .187 (4.7)
PGS-4	SPGS-4			.250 (6.4)	.187 (4.7)		.188 (4.8) - .250 (6.4)
PGS-5	SPGS-5						

## MCCG

### Metal Continuous Cushioned Grommet



**NOTE:**  
Hand held cutting tool needed, order part number MCGS-1

#### Features:

##### Heat Continuous:

185 degrees F (85 degrees C)

##### Salt Spray:

2000 hours per MIL-STD-202D  
Method: 101D

##### Dielectric:

1200 volts @ 60Hz per MIL-STD-202; Method 301.

##### Shock and Vibration:

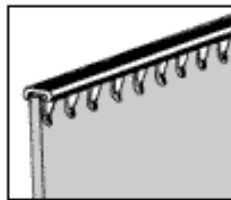
MIL-STD-1344, Method 2005  
Test Condition VI Letter J.  
Duration: 8 hours in the longitudinal and 8 hours in the perpendicular direction.  
Shock: Overall RMS: G41.7

Flammability: UL 94-V0

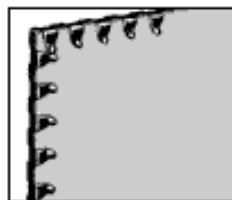
Material: 300 Series Stainless Steel with Fusion Bonded Nylon 11 Coating and a 46 Durometer, Shore D Cushion		
100 ft Reel Color: Black	"W"	"T" Application Thickness
MCCG-1N	.19 (4.8)	.025 (0.64) - .036 (0.91)
MCCG-2N		.037 (0.93) - .055 (1.40)
MCCG-3N		.056 (1.42) - .074 (1.90)
MCCG-4N	.22 (5.6)	.075 (1.91) - .093 (2.36)
MCCG-6N		.113 (2.87) - .134 (3.40)

\*Extra flexible grommet is available by special order.

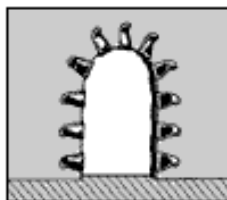
#### Applications



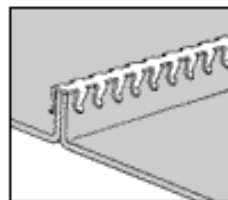
Cushion



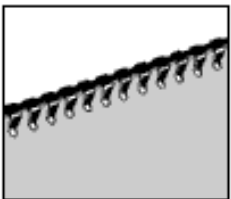
Outside Right Angles



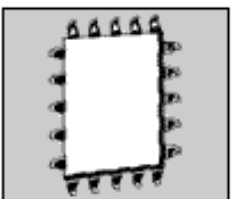
U-Shape (Mouse Hole)



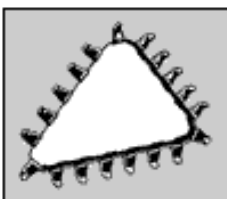
Grounding Clip (EMI/RFI)  
Uncoated part only



Continous Straight Edge



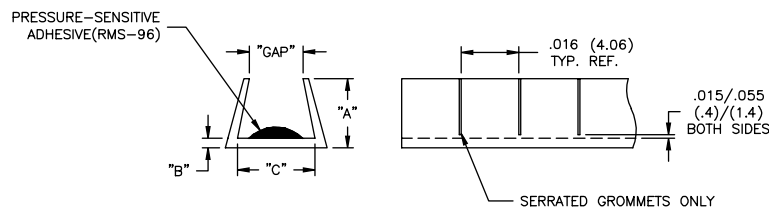
Inside Right Angles



Irregular Holes



Flexible Grommet\*



## NGSG/SNGSG/PGSG/ SPGSG

### Grommet Strip w/Adhesive



#### Features

- Adhesive provides self retaining grip

Color: Natural or Black; Add B for black.						
Standard Pack: 100 ft. (3048 cm) Rolls; custom lengths available by special order						
Part No.	Serrated Lengths	Material	"A" Ref.	"B" Ref.	"C" Ref.	GAP Ref.
NGSG-2	SNGSG-2	Nylon, RMS-21	.172 (4.4)	.031 (0.8)	.109 (2.8)	.037 (0.9) - .071 (1.8)
NGSG-2.5	SNGSG-2.5		.188 (4.8)	.047 (1.2)	.156 (4.0)	.072 (1.8) - .105 (2.7)
NGSG-3	SNGSG-3		.188 (4.8)	.047 (1.2)	.156 (4.0)	.106 (2.7) - .164 (4.2)
PGSG-2	SPGSG-2	Polyethylene, RMS-06	.172 (4.4)	.031 (0.8)	.109 (2.8)	.037 (0.9) - .071 (1.8)
PGSG-6*	SPGSG-6*		.160 (4.1)	.025 (0.6)	.060 (1.5)	.048 (1.2)
PGSG-2.5	SPGSG-2.5		.172 (4.4)	.031 (0.8)	.109 (2.8)	.072 (1.8) - .105 (2.7)
PGSG-7*	SPGSG-7*		.035 (0.9)	.100 (2.5)	.106 (2.7) - .164 (4.2)	.060 (1.5)
PGSG-3	SPGSG-3		.188 (4.8)	.047 (1.2)	.156 (4.0)	.106 (2.7) - .164 (4.2)
PGSG-8*	SPGSG-8*		.035 (0.9)	.156 (4.0)		

\*Part No. -6, -7 & -8 are extra flexible

# ACCESSORIES

## SHR Slit Harness Wrap

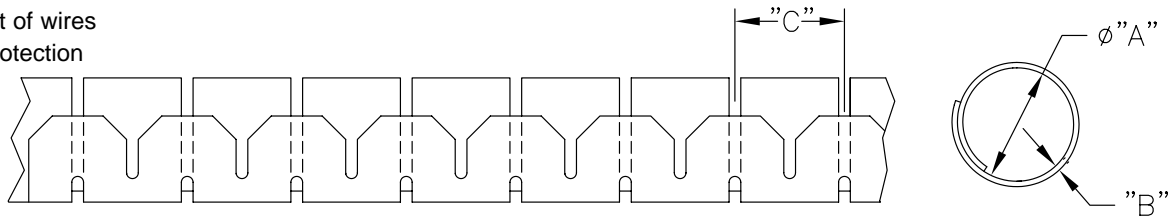


• UL #E208749



### Features

- Easy to use. Simply feed the wires into the tools, feed the wrap over the horn and zip
- Allows easy breakout of wires
- Provides abrasion protection



Material: See Chart • Color: See Chart

Part No.	A Ref.	Max. Bundle Dia.	B Ref.	C Ref.	Standard Lengths	Material / Color	Installation Tool Part No.	Installation Tool Material
SHR-08-6NB	.31 (8.0)	.39 (10.0)	.032 (0.8)	.39 (10.0)	100m (328 ft)	Nylon (RMS-88) / Black	CAT-08-PP	Polypropylene
SHR-15-6NB	.59 (15.0)	.63 (16.0)	.032 (0.8)	.55 (14.0)	50m (164 ft)		CAT-15-PP	
SHR-20-6NB	.79 (20.0)	.90 (23.0)	.035 (0.9)	.67 (17.0)	30m (98 ft)		CAT-20-PP	
SHR-25-6NB	.98 (25.0)	.98 (25.0)	.039 (1.0)	.79 (20.0)	20m (65 ft)		CAT-25-PP	
SHR-32-6NB	1.25 (32)	1.25 (32)	.050 (1.3)	.98 (24.9)	15m (49 ft)		CAT-32-PP	
SHR-08-6V0B	.31 (8.0)	.39 (10.0)	.032 (0.8)	.39 (10.0)	100m (328 ft)	Flame Retardant Nylon (RMS-95) / Black	CAT-08-PP	
SHR-15-6V0B	.59 (15.0)	.63 (16.0)	.032 (0.8)	.55 (14.0)	50m (164 ft)		CAT-15-PP	
SHR-20-6V0B	.79 (20.0)	.90 (23.0)	.035 (0.9)	.67 (17.0)	30m (98 ft)		CAT-20-PP	
SHR-25-6V0B	.98 (25.0)	.98 (25.0)	.039 (1.0)	.79 (20.0)	20m (65 ft)		CAT-25-PP	
SHR-32-6V0B	1.25 (32)	1.25 (32)	.050 (1.3)	.98 (24.9)	15m (49 ft)		CAT-32-PP	
SHR-08-PPB	.31 (8.0)	.39 (10.0)	.032 (0.8)	.39 (10.0)	100m (328 ft)	Polypropylene (RMS-94) / Black	CAT-08-PP	
SHR-15-PPB	.59 (15.0)	.63 (16.0)	.032 (0.8)	.55 (14.0)	50m (164 ft)		CAT-15-PP	
SHR-20-PPB	.79 (20.0)	.90 (23.0)	.035 (0.9)	.67 (17.0)	30m (98 ft)		CAT-20-PP	
SHR-25-PPB	.98 (25.0)	.98 (25.0)	.039 (1.0)	.79 (20.0)	20m (65 ft)		CAT-25-PP	
SHR-32-PPB	1.25 (32)	1.25 (32)	.050 (1.3)	.98 (24.9)	15m (49 ft)		CAT-32-PP	

Available in various colors by special order.

Tool available in bulk packages of 100/box. To order add -BU to the end of the part number.

Tool for sizes -20, -25 and -32 available in glass filled nylon for frequent use. To order, replace -PP with -IX

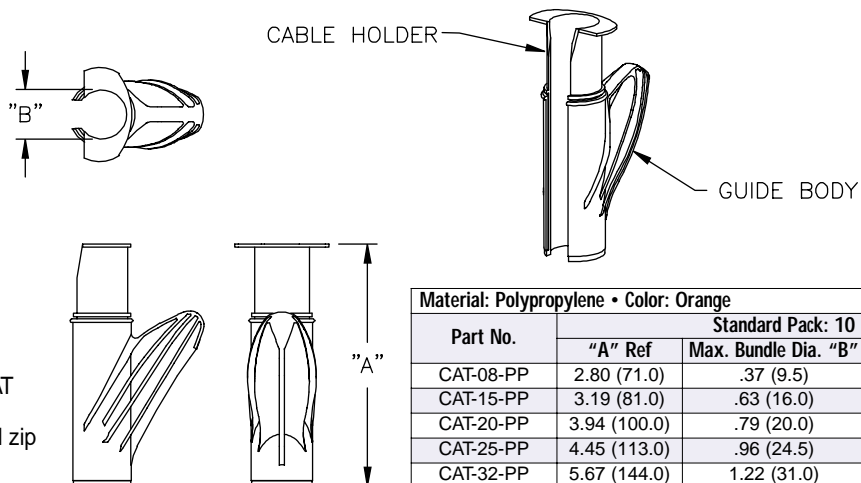
### CAT Installation Tool



Sample kits are available that include the -08 size of the wrap with the CAT tool. They are available free from the Richco Sample Department.

### Note:

- To use the SHR, insert cables into the CAT tool. Rotate the tool shut, locking in the cables. Slide the tubing over the horn and zip the tool along the cables locking them in.



Material: Polypropylene • Color: Orange

Part No.	Standard Pack: 10		
	"A" Ref	Max. Bundle Dia. "B"	To be used with
CAT-08-PP	2.80 (71.0)	.37 (9.5)	SHR-08-YYY*
CAT-15-PP	3.19 (81.0)	.63 (16.0)	SHR-15-YYY*
CAT-20-PP	3.94 (100.0)	.79 (20.0)	SHR-20-YYY*
CAT-25-PP	4.45 (113.0)	.96 (24.5)	SHR-25-YYY*
CAT-32-PP	5.67 (144.0)	1.22 (31.0)	SHR-32-YYY*

\*YYY-SHR material

## RX

### Richflex Flexible Channel

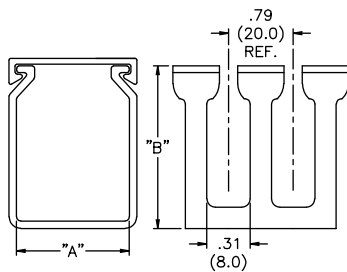
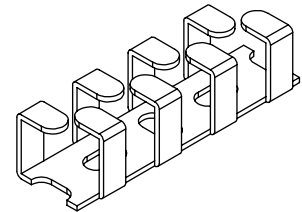
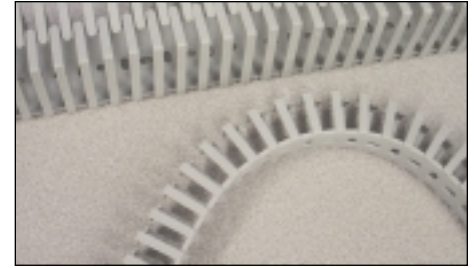
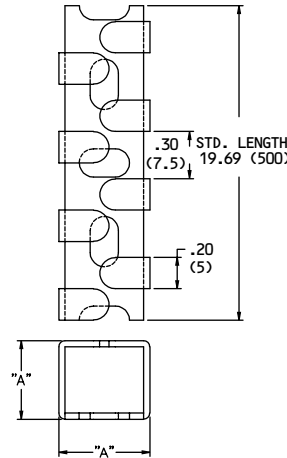
#### Features

- Available with or without adhesive

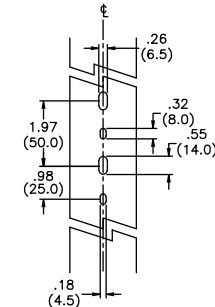
Material: Polypropylene • Color: Grey

Part No.	Ext. Dim. "A" x "A" in (mm)	Type	Int. Section in2 (mm2)	Standard Packing (pcs)
RX1313-0	.492 x .492	VMHDY40	.171 (110)	112
RX1313-4	(12.5 x 12.5)	AMHD40		
RX1616-0	.630 x .630	VMHDY40	.287 (185)	84
RX1616-4	(16 x 16)	AMHD40		
RX2020-0	.787 x .787	VMHDY40	.496 (320)	112
RX2020-4	(20 x 20)	AMHD40		
RX2525-0	.984 x .984	VMHDY40	.775 (500)	70
RX2525-4	(25 x 25)	AMHD40		
RX3030-0	1.181 x 1.181	VMHDY40	1.116 (720)	50
RX3030-4	(30 x 30)	AMHD40		
RX4040-0	1.575 x 1.575	VMHDY40	2.046 (1320)	50
RX4040-4	(40 x 40)	AMHD40		
RX5050-0	1.969 x 1.969	VMHDY40	3.162 (2040)	32
RX5050-4	(50 x 50)	AMHD40		

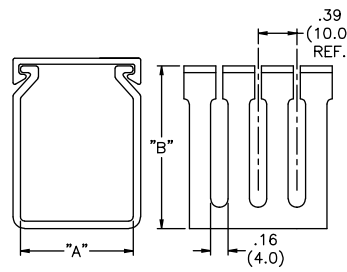
Part Type Code: A - Adhesive Backing; D - UL94V2; H - Halogen Presence Insignificant (<70%); M - Polypropylene; V - Screw Mount; 40 - Gray RAL7040.



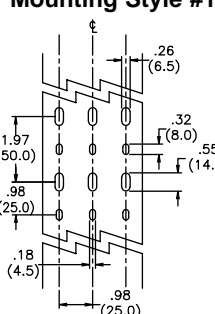
SRWD-OPEN SLOT



Mounting Style #1



SRWDN-NARROW SLOT



Mounting Style #2

Material: PVC (UL #E161178) (CSA #LR40012-7) • Color: Gray

Part No.	"A"	"B"	Standard Pack	Mounting Style
SRWDN-0820	.75 (19.1)	2.0 (50.8)	78' (1981.2)	1
SRWDN-1015	1.0 (25.4)	1.5 (38.1)		
SRWDN-1020		2.0 (50.8)		
SRWDN-1030	3.0 (76.2)	52' (1320.8)		
SRWDN-1515	1.5 (38.1)	1.5 (38.1)	78' (1981.2)	
SRWDN-1520		2.0 (50.8)		
SRWDN-1530	1.5 (38.1)	3.0 (76.2)	52' (1320.8)	
SRWDN-2015		1.5 (38.1)		
SRWDN-2020	2.0 (50.8)	2.0 (50.8)	52' (1320.8)	
SRWDN-2030		3.0 (76.2)		
SRWDN-3015	3.0 (76.2)	1.5 (38.1)	52' (1320.8)	2
SRWDN-3020		2.0 (50.8)		
SRWDN-3030	3.0 (76.2)			
SRWDN-4020	4.0 (101.6)	2.0 (50.8)	26' (660.4)	
SRWDN-4030		3.0 (76.2)		

Parts also available in White, Black and Blue by special order. To order, add suffix W for White, BL for Blue, and B for Black

#### Features

- Holds breakout wires while providing flexibility for adding or removing wires later
- Simply deflect the plastic fingers to insert or remove wires
- Non-slip cover is easy to use and included with base
- Parts are 6-1/2' (1.98m) long
- Material is serviceable from -40°F – 140°F (-40°C – 60°C)
- Fingers are scored for easy break out

## SRWD/SRWDN Slotted Richco Wiring Duct



Material: PVC (UL #E161178) (CSA #LR40012-7) • Color: Gray

Part No.	"A"	"B"	Standard Pack	Mounting Style
SRWD-0820	.75 (19.1)	2.0 (50.8)	78' (1981.2)	1
SRWD-1015	1.0 (25.4)	1.5 (38.1)		
SRWD-1020		2.0 (50.8)		
SRWD-1030	3.0 (76.2)	52' (1320.8)		
SRWD-1040	1.5 (38.1)	4.0 (101.6)	78' (1981.2)	
SRWD-1515		1.5 (38.1)		
SRWD-1520	1.5 (38.1)	2.0 (50.8)	52' (1320.8)	
SRWD-1530		3.0 (76.2)		
SRWD-1540	1.5 (38.1)	4.0 (101.6)	52' (1320.8)	
SRWD-2010		1.0 (25.4)		
SRWD-2015	2.0 (50.8)	1.5 (38.1)	52' (1320.8)	
SRWD-2020		2.0 (50.8)		
SRWD-2030	2.0 (50.8)	3.0 (76.2)	26' (660.4)	
SRWD-2040		4.0 (101.6)		
SRWD-3015	3.0 (76.2)	1.5 (38.1)	52' (1320.8)	2
SRWD-3020		2.0 (50.8)		
SRWD-3030	3.0 (76.2)			
SRWD-3040	4.0 (101.6)	4.0 (101.6)	26' (660.4)	
SRWD-4020		2.0 (50.8)		
SRWD-4030	4.0 (101.6)	3.0 (76.2)	26' (660.4)	
SRWD-4040		4.0 (101.6)		
SRWD-4050	5.0 (127.0)			

Parts also available in White, Black and Blue by special order. To order, add suffix W for White, BL for Blue, and B for Black