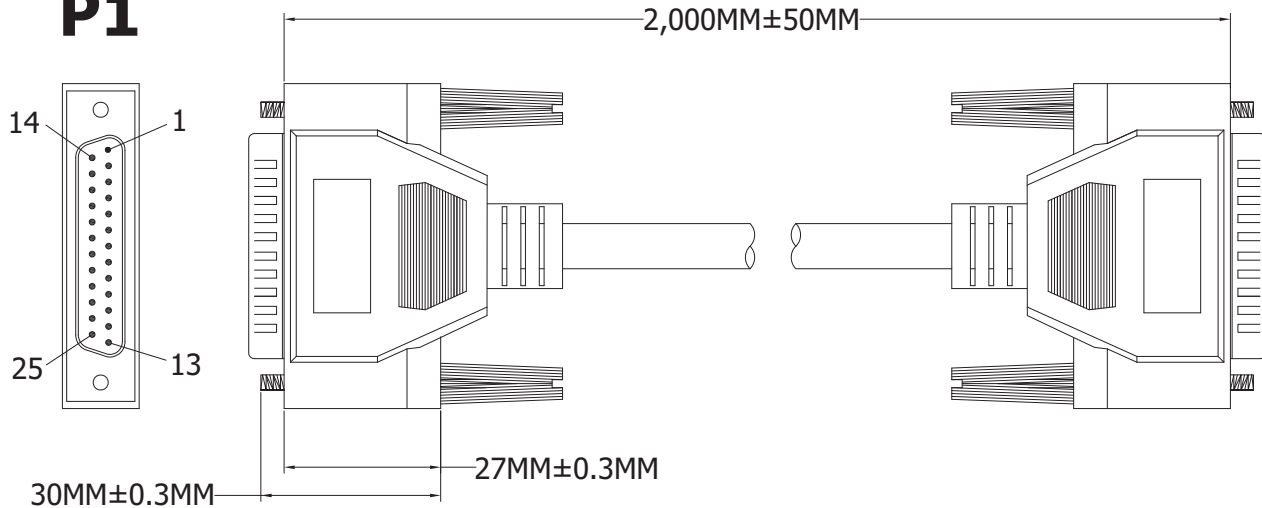
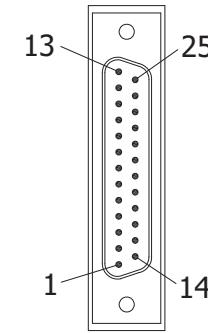


P1**P2****PIN ASSIGNMENT**

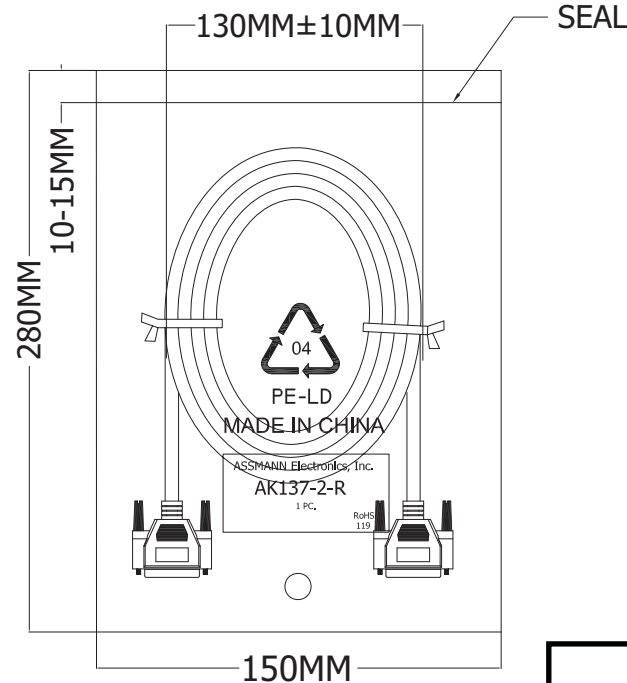
P1		P1
1	BLACK	1
2	BROWN	2
3	RED	3
4	ORANGE	4
5	YELLOW	5
6	GREEN	6
7	BLUE	7
8	PURPLE	8
9	GRAY	9
10	WHITE	10
11	PINK	11
12	LIGHT/GREEN	12
13	RED/BLACK	13
14	ORANGE/BLACK	14
15	YELLOW/BLACK	15
16	GREEN/BLACK	16
17	BLUE/BLACK	17
18	PURPLE/BLACK	18
19	WHITE/BLACK	19
20	RED/WHITE	20
21	ORANGE/WHITE	21
22	GREEN/WHITE	22
23	BLUE/WHITE	23
24	PURPLE/WHITE	24
25	BROWN/WHITE	25
SHELL	DRAIN	SHELL

Material:

- Cable: NOUL 28AWG*25C+D+AL/MY
 - OD: 6.5MM
 - Color: Beige
- Connectors: DB 25 Pin Soder Type
 - Pin G/F
 - Shell: Ni-Plated
 - Insulator Color: Blue
- Inner Jacket: Clear LD-PE
- Outer Jacket: PVC 40P (Beige)
- Screw: #4-40UNC Type, Nickel Plated

Electrical:

- 100% Open short & mis wire test
- Contact Resistance: 5Ω Max.
- Insulation Resistance: 10Ω Min.
- Hi-Pot: 300V DC / 10MS



Ⓜ = Assmann logo

RoHS
Compliant

ITEM NO.

AK137-2-R

TITLE

Serial/Parallel Connection Cable, 2 Meters,
25-Pin Male <=> 25-Pin Male
ASSMANN
Electronics, Inc.

 1840 W. Drake Drive, Suite 101 • Tempe, AZ 85283
 Toll Free: 1-877-277-6266 • Email: info@usa-assmann.com

 THIS DRAWING IS UNPUBLISHED
 ©Copyright 2009 by Assmann Electronic Components
 All International Rights Reserved