

# Data Sheet

## AJT65B, 8P/8C

Page 1/3

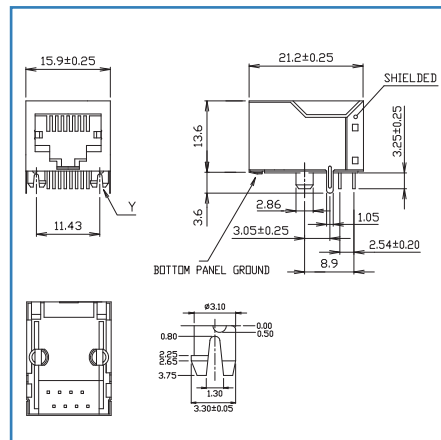
Part No.  
AJT65B88xx

2013-12-20

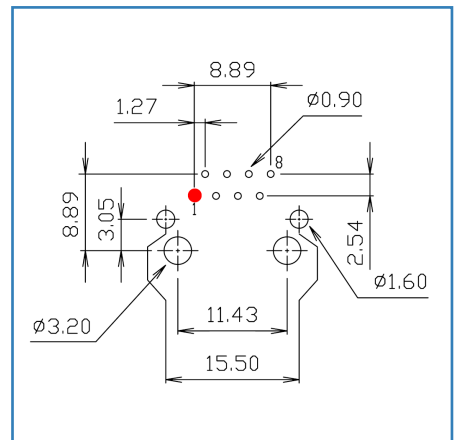
### Illustrations



### Dimensions



### PCB layout



see enlarged drawings at the end of document

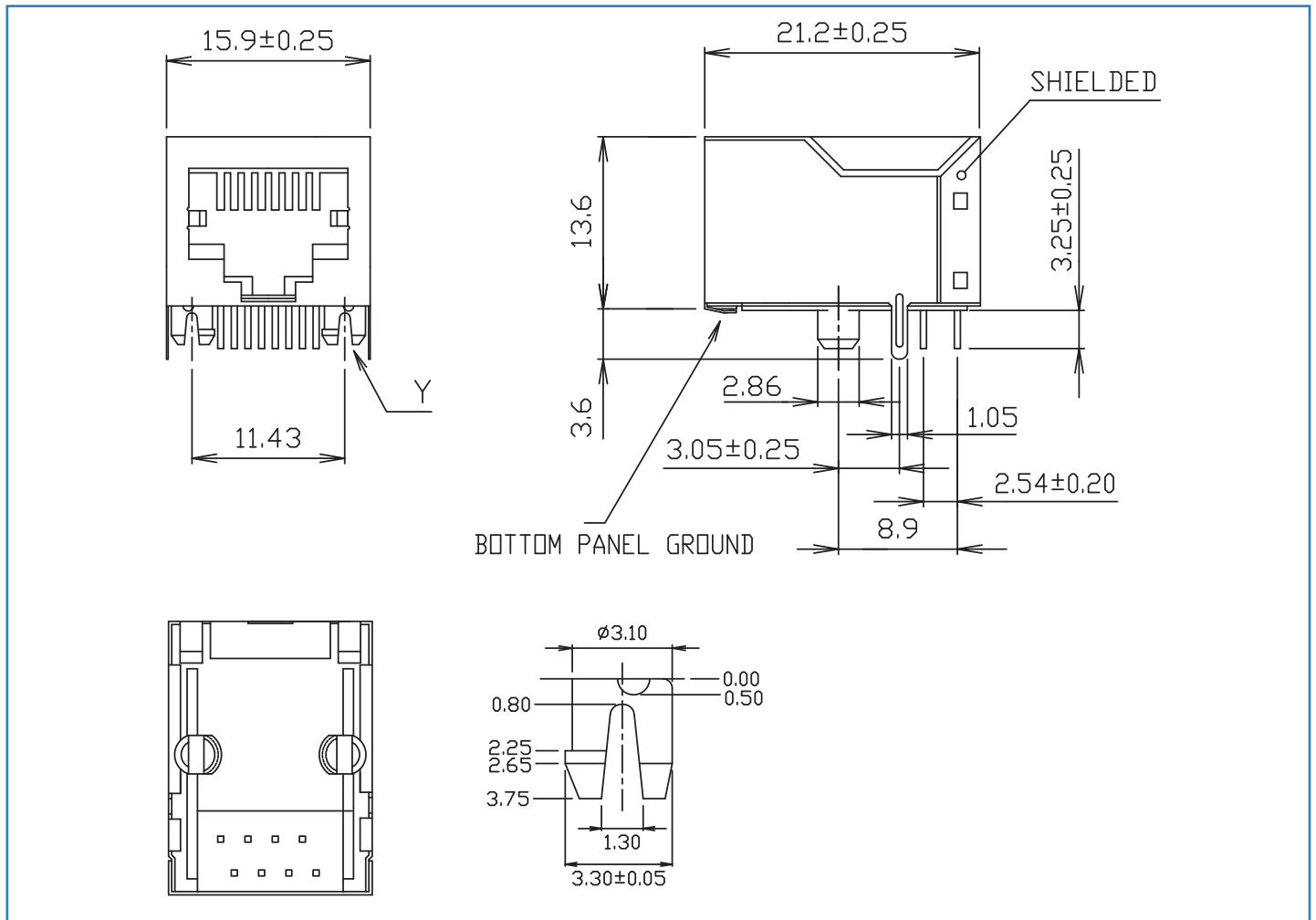
### Product Information

- PC board jack RJ45, shielded
- single port, side entry, with 8 contacts
- solderable (SMT), color metal
- L x W x H: 18.60 x 15.60 x 11.80 mm
- bottom latch
- Variants: 30 μ" Au, 50 μ" Au

### Technical Data

Soldering method	THT
Rated voltage max.	150 V
Rated Current	1 A
Contact resistance	50 mOhms
Insulation resistance	500 MOhms
Dielectrical Withstanding Voltage	
between contacts	1000 Vrms
between contacts and shield	1500 Vrms
Contact material	CuSn
Contact surface	gold flash
AJT65B8813	30 μ"
AJT65B8814	50 μ"
Shield material	copper alloy
Shield surface	Ni
Mating force max.	22.55 N
Durability plug cycles	<= 750
Insulation material	PBT, UL94V-0
Insulation color	black
Operating Temperature	-40 °C to 85 °C
Type of protection	IP20

Dimensions



**PCB layout**

