

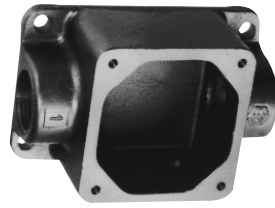
# AR Back Boxes and Accessories for 20, 30, & 60 A Receptacle Housings

Dimensions Pages 992 and 993



## ARE

Hub Size	20/30 A Cat. #	60 A Cat. #
1/2	ARE13	
3/4	ARE23	
1	ARE33	ARE36
1 1/4		ARE46
1 1/2		ARE56



## ARRC

Hub Size	20/30 A Cat. #	60 A Cat. #
1/2	ARRC13	
3/4	ARRC23	
1	ARRC33	ARRC36
1 1/4		ARRC46
1 1/2		ARRC56



For ARRH and ARRC back boxes



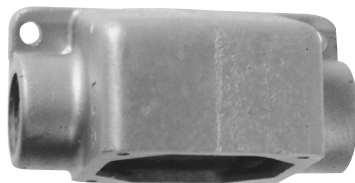
For steel panel or cabinet

## AR 15° Angle Adapter

Mounts On	Takes AR Receptacle Housings	Cat. #
ARRH and ARRC back boxes	20 and 30 amp.	AR30
ARRH and ARRC back boxes	60 amp.	AR60
Steel panel or cabinet	60 and 100 amp.	AR610

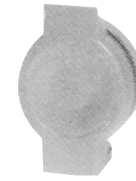
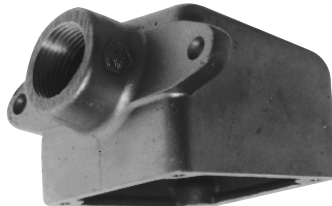
## ARRH

Hub Size	20/30 A Cat. #	60 A Cat. #
1/2	ARRH13	
3/4	ARRH23	
1	ARRH33	ARRH36
1 1/4		ARRH46
1 1/2		ARRH56



## ARD

Hub Size	20/30 A Cat. #	60 A Cat. #
1/2	ARD13	
3/4	ARD23	
1	ARD33	ARD36
1 1/4		ARD46
1 1/2		ARD56



## Spring Door Assembly

Used With	Cat. #
30 amp, 2, 3 & 4-pole	QE50
60 amp, 2 & 3-pole	QE51
60 amp, 4-pole	QE52
100 amp, 2 & 3-pole	QE53
100 amp, 4-pole	QE54

## ARJ

Hub Size	20/30 A Cat. #	60 A Cat. #
1/2	ARJ13	
3/4	ARJ23	
1	ARJ33	ARJ36
1 1/4		ARJ46
1 1/2		ARJ56

## ARJG

Hub Size	20/30 A Cat. #	60 A Cat. #
1/2	ARJG13	
3/4	ARJG23	
1	ARJG33	ARJG36
1 1/4		ARJG46
1 1/2		ARJG56



## Cap and Chain

Used With	Cat. #
30 amp, 2, 3 & 4-pole	QE13
60 amp, 2 & 3-pole	QE32
60 amp, 4-pole	QE34
100 amp, 2 & 3-pole	QE62
100 amp, 4-pole	QE64

# AJ and AJC Back Boxes with Angle Adapters for 60, 100, 200 & 400 A Receptacle Housings AJX Assemblies and Component Parts For 200 and 400 A Receptacle Housings



AJ Back Box with 60/100 A Angle Adapter



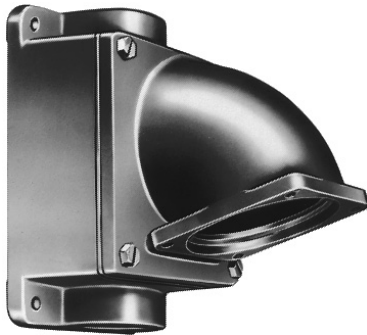
AJ Back Box with 200/400 A Angle Adapter



## AJX Assemblies

Back Box with Angle Adapter,  
3 Blank Plates and 1 Hub Plate

Hub Size	400 A Cat. #
2	AJX69
2½	AJX79
3	AJX89
3½	AJX929
4	AJX9210
5	AJX9212



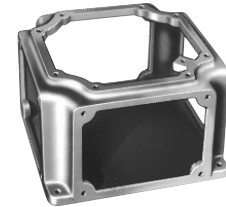
AJC Back Box with 60/100 A AJA Angle Adapter



AJC Back Box with 200 A Angle Adapter

## AJX Component Parts

For use in making up assemblies with arrangements of hub plates (4 required) other than those listed.



### Back Box

400 A  
Cat. #  
AJX99

### Angle Adapter

400 A  
Cat. #  
AJ245



### Hub Plate

Hub Size	400 A Cat. #
2	YYP96
2½	YYP97
3	YYP98
3½	YYP99
4	YYP910
5	YYP9012



### Blank Plate

400 A Cat. #  
YYP900

## AJ and AJC Back Boxes †

HUB SIZE	TYPE	60 & 100A		200A		400A	
		BOX ONLY	BOX & ADAPTER ASSEMBLY	BOX ONLY	BOX & ADAPTER ASSEMBLY	BOX ONLY	BOX & ADAPTER ASSEMBLY
1"	ONE HUB	AJ56*	AJ37				
	FEED THRU	AJC56*	AJC37				
1¼"	ONE HUB	AJ56*	AJ47				
	FEED THRU	AJC56*	AJC47				
1½"	ONE HUB	AJ56	AJ57	AJ71*	AJ58		
	FEED THRU	AJC56	AJC57				
2"	ONE HUB	AJ66	AJ67	AJ71*	AJ68	AJ82*	AJ69
	FEED THRU	AJC66	AJC67				
2½"	ONE HUB			AJ71	AJ78	AJ82*	AJ79
	FEED THRU			AJC71	AJC78		
3"	ONE HUB					AJ82	AJ89
	FEED THRU						
ANGLE ADAPTER		AJA6		AJA1		AJA2	

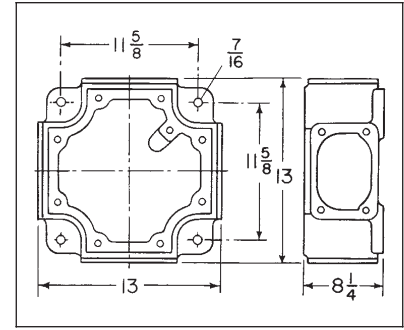
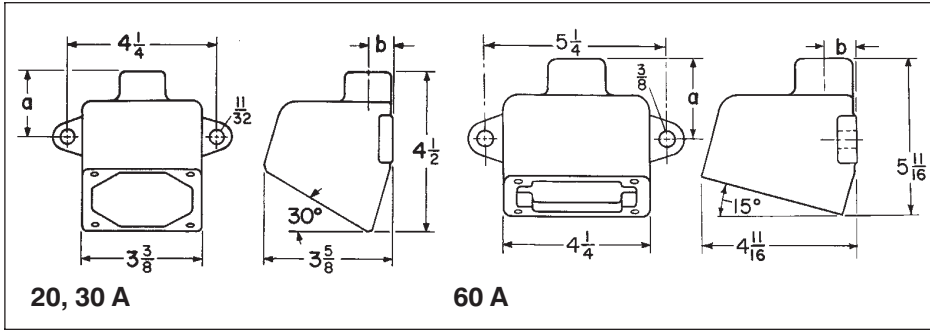
\*REDUCER SUPPLIED WITH ASSEMBLY

† AJ and AJC back boxes are square, making it possible to install with hub in several positions.

‡ Use AJ69, AJ79 or AJ89 for cables up to 2 - #350MCM, 3 - #300MCM or 4 - #250MCM. For larger cables, use AJX69, etc., listed under assemblies.

# 1P Back Boxes

## Dimensions

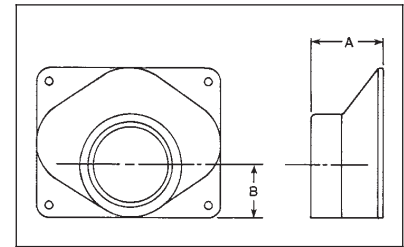


### ARE

Cat. #	Rating	Size	a	b
13	20, 30A	1/2	1 <sup>27</sup> / <sub>32</sub>	1 <sup>1</sup> / <sub>16</sub>
23	20, 30A	3/4	1 <sup>27</sup> / <sub>32</sub>	1 <sup>3</sup> / <sub>16</sub>
33	20, 30A	1	1 <sup>31</sup> / <sub>32</sub>	1 <sup>5</sup> / <sub>16</sub>
36	60 A	1	2 <sup>9</sup> / <sub>16</sub>	1 <sup>5</sup> / <sub>16</sub>
46	60 A	1 1/4	2 <sup>5</sup> / <sub>8</sub>	1 <sup>3</sup> / <sub>16</sub>
56	60 A	1 1/2	2 <sup>11</sup> / <sub>16</sub>	1 <sup>5</sup> / <sub>16</sub>

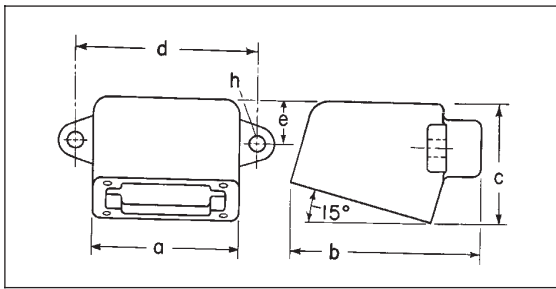
### AJX Back Body

400 Amperes



### Hub Plate

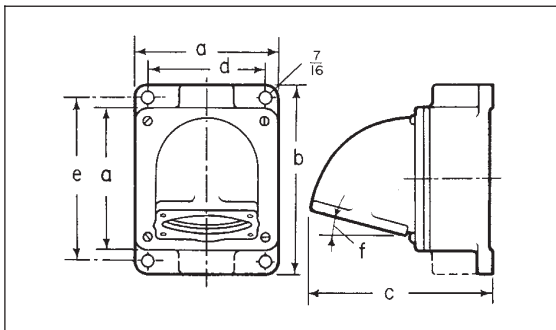
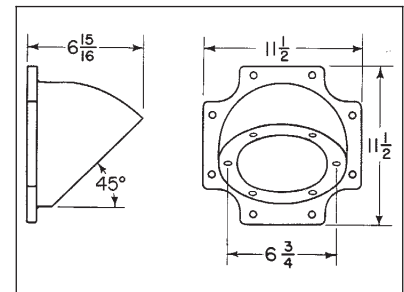
	Hub Size	"A"	"B"
YYP96	2	3 <sup>3</sup> / <sub>4</sub>	1 <sup>11</sup> / <sub>16</sub>
YYP97	2 1/2	3 <sup>7</sup> / <sub>8</sub>	2 <sup>5</sup> / <sub>16</sub>
YYP98	3	3 <sup>7</sup> / <sub>8</sub>	2 <sup>5</sup> / <sub>16</sub>
YYP99	3 1/2	3 <sup>7</sup> / <sub>8</sub>	2 <sup>9</sup> / <sub>16</sub>
YYP910	4	3 <sup>7</sup> / <sub>8</sub>	2 <sup>13</sup> / <sub>16</sub>
YYP9012	5	4 <sup>5</sup> / <sub>8</sub>	3 <sup>7</sup> / <sub>16</sub>



### ARJG

Cat. #	Rating	Size	a	b	c	d	e	h Dia.
13	20, 30A	1/2	3 <sup>3</sup> / <sub>8</sub>	4 <sup>15</sup> / <sub>32</sub>	2 <sup>3</sup> / <sub>4</sub>	4 <sup>1</sup> / <sub>4</sub>	1 <sup>3</sup> / <sub>8</sub>	1 <sup>1</sup> / <sub>32</sub>
23	20, 30A	3/4	3 <sup>3</sup> / <sub>8</sub>	4 <sup>15</sup> / <sub>32</sub>	2 <sup>3</sup> / <sub>4</sub>	4 <sup>1</sup> / <sub>4</sub>	1 <sup>3</sup> / <sub>8</sub>	1 <sup>1</sup> / <sub>32</sub>
33	20, 30A	1	3 <sup>3</sup> / <sub>8</sub>	4 <sup>19</sup> / <sub>32</sub>	2 <sup>3</sup> / <sub>4</sub>	4 <sup>1</sup> / <sub>4</sub>	1 <sup>3</sup> / <sub>8</sub>	1 <sup>1</sup> / <sub>32</sub>
36	60 A	1	4 <sup>1</sup> / <sub>4</sub>	5 <sup>5</sup> / <sub>8</sub>	4 <sup>11</sup> / <sub>16</sub>	5 <sup>1</sup> / <sub>4</sub>	1 <sup>5</sup> / <sub>8</sub>	3 <sup>5</sup> / <sub>8</sub>
46	60 A	1 1/4	4 <sup>1</sup> / <sub>4</sub>	5 <sup>11</sup> / <sub>16</sub>	4 <sup>1</sup> / <sub>16</sub>	5 <sup>1</sup> / <sub>4</sub>	1 <sup>5</sup> / <sub>8</sub>	3 <sup>5</sup> / <sub>8</sub>
56	60 A	1 1/2	4 <sup>1</sup> / <sub>4</sub>	5 <sup>3</sup> / <sub>4</sub>	4 <sup>11</sup> / <sub>16</sub>	5 <sup>1</sup> / <sub>4</sub>	1 <sup>5</sup> / <sub>8</sub>	3 <sup>5</sup> / <sub>8</sub>

### AJ Angle Adapter

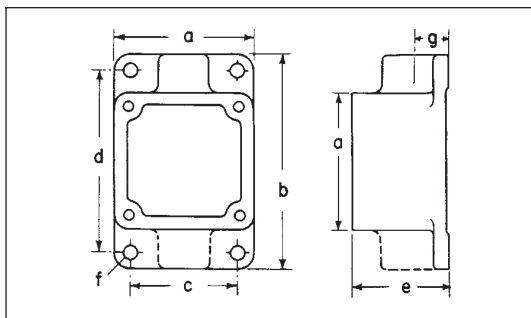


### AJ and AJC

With 60, 100, 200 and 400 Ampere Angle Adapters

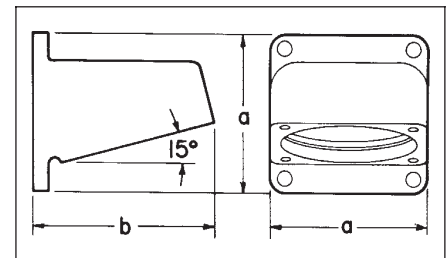
Cat. #	Rating	Size	a	b	c	d	e	f
37, 47, 57	60, 100 A	1, 1 1/4, 1 1/2	5 <sup>7</sup> / <sub>8</sub>	8	7 <sup>7</sup> / <sub>16</sub>	4 <sup>7</sup> / <sub>8</sub>	7	15°
67	60, 100A	2	5 <sup>7</sup> / <sub>8</sub>	8	8	4 <sup>7</sup> / <sub>8</sub>	7	15°
58, 68, 78	200 A	1 1/2, 2, 2 1/2	8	10 <sup>3</sup> / <sub>4</sub>	9 <sup>7</sup> / <sub>8</sub>	6 <sup>3</sup> / <sub>4</sub>	9 1/2	45°
69, 79, 89	400 A	2, 2 1/2, 3	9	11 <sup>5</sup> / <sub>8</sub>	11 <sup>13</sup> / <sub>16</sub>	7 <sup>3</sup> / <sub>4</sub>	10 <sup>3</sup> / <sub>8</sub>	45°

## Dimensions



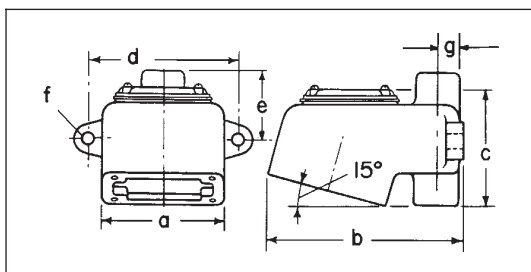
### ARRC and ARRH

Cat. #	Rating	Size	a	b	c	d	e	f Dia.	g
13	20/30 A	1/2	3 3/8	5 5/16	2 5/8	4 9/16	2 1/4	1 1/32	1 1/16
23	20/30 A	3/4	3 3/8	5 5/16	2 5/8	4 9/16	2 1/4	1 1/32	1 3/16
33	20/30 A	1	3 3/8	5 5/16	2 5/8	4 9/16	2 1/4	1 1/32	1 5/16
36	60 A	1	4 1/4	6 1/2	3 1/2	5 3/4	3 1/8	7/16	1 3/8
46	60 A	1 1/4	4 1/4	6 1/2	3 1/2	5 3/4	3 1/8	7/16	1 3/8
56	60 A	1 1/2	4 1/4	6 1/2	3 1/2	5 3/4	3 1/8	7/16	1 3/8



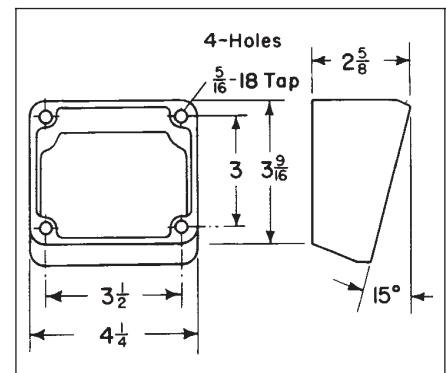
### AR30 and AR60 Angle Adapters

Cat. #	Rating	a	b
AR30	20/30 A	3 3/8	4 1/8
AR60	60 A	4 1/4	4 15/16

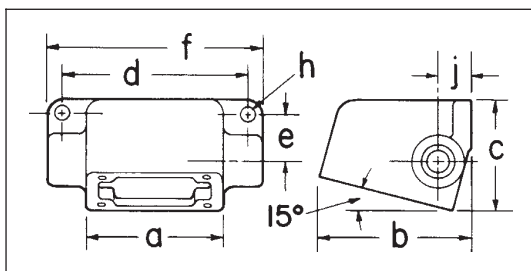


### ARD

Cat. #	Rating	Size	a	b	c	d	e	f Dia.	g
13	20/30 A	1/2	3 3/8	5 5/16	3 23/32	4 1/4	1 27/32	1 1/32	1 1/16
23	20/30 A	3/4	3 3/8	5 5/16	3 23/32	4 1/4	1 27/32	1 1/32	1 3/16
33	20/30 A	1	3 3/8	5 5/16	3 23/32	4 1/4	1 27/32	1 1/32	1 5/16
36	60 A	1	4 1/4	7 1/16	5 3/4	5 1/8	2 3/4	3/8	1 5/16
46	60 A	1 1/4	4 1/4	7 1/16	5 3/4	5 1/8	2 3/4	3/8	1 5/16
56	60 A	1 1/2	4 1/4	7 1/16	5 3/4	5 1/8	2 3/4	3/8	1 5/16



### AR610 Angle Adapter



### ARJ

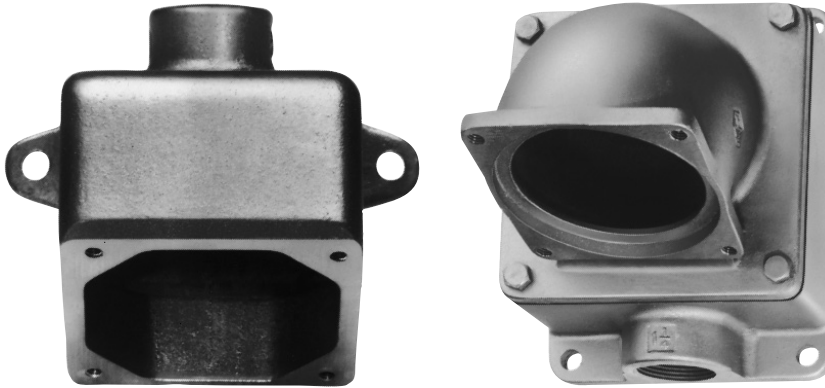
Cat. #	Rating	Size	a	b	c	d	e	f	h Dia.	j
13	20/30 A	1/2	3 3/8	3 5/8	2 3/4	4 5/8	1 7/32	5 5/16	1 1/32	1 5/16
23	20/30 A	3/4	3 3/8	3 5/8	2 3/4	4 5/8	1 7/32	5 5/16	1 1/32	1 5/16
33	20/30 A	1	3 3/8	3 5/8	2 3/4	4 5/8	1 7/32	5 5/16	1 1/32	1 5/16
36	60 A	1	4 1/4	4 11/16	4 11/16	5	1 23/32	6 3/8	3/8	1 5/16
46	60 A	1 1/4	4 1/4	4 11/16	4 11/16	5	1 23/32	6 3/8	3/8	1 5/16
56	60 A	1 1/2	4 1/4	4 11/16	4 11/16	5	1 23/32	6 3/8	3/8	1 5/16

# Typical Back Boxes

Weatherproof

1P

## For APQ Arktite® Circuit Breaking Motor Plugs



Typical back boxes used with APQ motor plugs

### ARE

For APQ 30 Amp.

Hub Size	Cat. #
1/2	ARE13
3/4	ARE23
1	ARE33

For APQ 60 Amp.

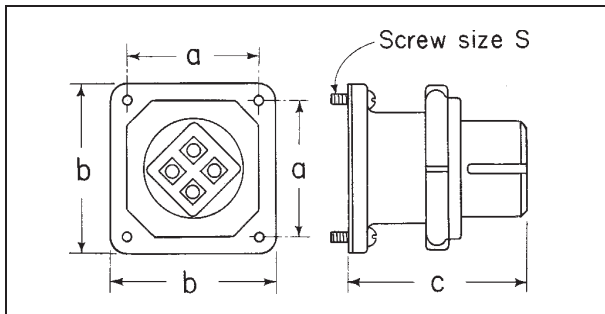
Hub Size	Cat. #
1	ARE36
1 1/4	ARE46
1 1/2	ARE56

### AJ

For APQ 60 and 100 Amp.

Hub Size	Cat. #
1	AJ37
1 1/4	AJ47
1 1/2	AJ57
2	AJ67

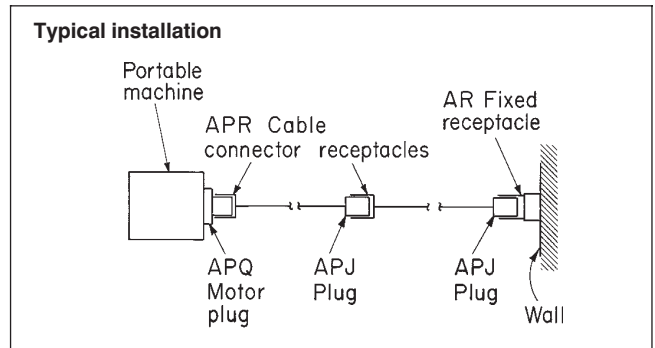
## Dimensions



### APQ Motor Plugs

Amps.	a	b	c	s
30	2 3/4	3 3/8	3 5/8	12-24
60	3 1/2	4 1/4	4 7/8	5/16-18
100	3 1/2	4 1/4	6 1/8	5/16-18
(2 & 3-pole)				
100	3 1/2	4 1/4	6 7/16	5/16-18
(4-pole)				

### Typical installation



For additional back box listings, see pages 990 and 991. For back box dimensions, see pages 992 and 993.