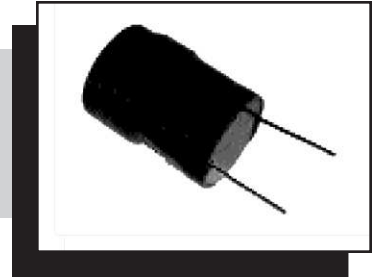


THROUGH-HOLE DRUM CORE POWER INDUCTORS

AIRD-01 SERIES



STANDARD SPECIFICATIONS

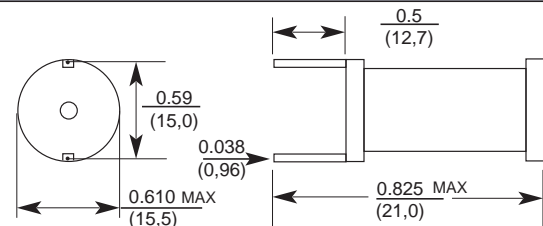
| Part Number ² | L ^{1,2} (mH) | DCR mW (MAX) | ISAT ³ A (MAX) | IAC A (MAX) |
|--------------------------|-----------------------|--------------|---------------------------|-------------|
| AIRD-01-1R0K | 1.0 | 3 | 87 | 9.0 |
| AIRD-01-1R2K | 1.2 | 3 | 68 | 9.0 |
| AIRD-01-1R5K | 1.5 | 4 | 56 | 9.0 |
| AIRD-01-1R8K | 1.8 | 4 | 56 | 9.0 |
| AIRD-01-2R2K | 2.2 | 5 | 47 | 9.0 |
| AIRD-01-2R7K | 2.7 | 5 | 47 | 9.0 |
| AIRD-01-3R3K | 3.3 | 5 | 40 | 9.0 |
| AIRD-01-3R9K | 3.9 | 6 | 36 | 9.0 |
| AIRD-01-4R7K | 4.7 | 7 | 32 | 9.0 |
| AIRD-01-5R6K | 5.6 | 7 | 29 | 9.0 |
| AIRD-01-6R8K | 6.8 | 8 | 26 | 9.0 |
| AIRD-01-8R2K | 8.2 | 9 | 24 | 9.0 |
| AIRD-01-100K | 10 | 10 | 21 | 9.0 |
| AIRD-01-120K | 12 | 11 | 19 | 9.0 |
| AIRD-01-150K | 15 | 15 | 17 | 7.2 |
| AIRD-01-180K | 18 | 16 | 16 | 7.2 |
| AIRD-01-220K | 22 | 25 | 15 | 5.5 |

| Part Number ² | L ^{1,2} (mH) | DCR mW (MAX) | ISAT ³ A (MAX) | IAC A (MAX) |
|--------------------------|-----------------------|--------------|---------------------------|-------------|
| AIRD-01-270K | 27 | 30 | 14 | 4.5 |
| AIRD-01-330K | 33 | 40 | 13 | 4.0 |
| AIRD-01-390K | 39 | 46 | 11 | 4.0 |
| AIRD-01-470K | 47 | 62 | 11 | 2.8 |
| AIRD-01-560K | 56 | 69 | 10 | 2.8 |
| AIRD-01-680K | 68 | 77 | 9 | 2.8 |
| AIRD-01-820K | 82 | 83 | 8 | 2.8 |
| AIRD-01-101K | 100 | 95 | 7 | 2.8 |
| AIRD-01-121K | 120 | 127 | 5 | 2.0 |
| AIRD-01-151K | 150 | 181 | 5 | 1.6 |
| AIRD-01-181K | 180 | 217 | 5 | 1.6 |
| AIRD-01-221K | 220 | 240 | 4 | 1.6 |
| AIRD-01-271K | 270 | 300 | 4 | 1.6 |
| AIRD-01-331K | 330 | 336 | 3 | 1.3 |
| AIRD-01-391K | 390 | 460 | 3 | 1.0 |
| AIRD-01-471K | 470 | 636 | 3 | 0.8 |
| AIRD-01-561K | 560 | 696 | 3 | 0.8 |

Notes:

1. Inductance (L) measured @ 100 KHz, 100 mV_{RMS} with 0 DC bias
2. Inductance (L) tolerance: J = 5%, K = 10%, M = 20%
3. Current rating at which inductance (L) drops 10%
4. Operating temperature -40°C to +125°C
5. Dimensions: inches / mm; see spec sheet for tolerance limits
6. Marking: to include 'L' in mH
7. Specifications subject to change without notice

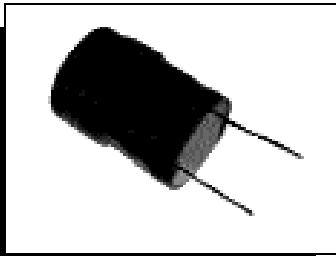
PHYSICAL CHARACTERISTICS⁵



ABRACON IS
ISO 9001 / QS 9000
CERTIFIED

29 Journey • Aliso Viejo, CA 92656 • USA
(949) 448-7070 • Fax: (949) 448-8484
E-MAIL: abinfo@abracon.com • INTERNET ADDRESS: www.abracon.com

ABRACON[®]
CORPORATION



THROUGH-HOLE DRUM CORE POWER INDUCTORS

AIRD-02 SERIES

STANDARD SPECIFICATIONS

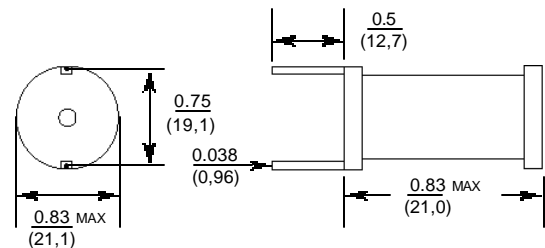
| Part Number ² | L ^{1,2} (μH) | DCR mΩ (MAX) | ISAT ³ A (MAX) | IAC A (MAX) |
|--------------------------|-----------------------|--------------|---------------------------|-------------|
| AIRD-02-1R0K | 1.0 | 3 | 108 | 11.4 |
| AIRD-02-1R2K | 1.2 | 3 | 108 | 11.4 |
| AIRD-02-1R5K | 1.5 | 3 | 83 | 11.4 |
| AIRD-02-1R8K | 1.8 | 3 | 68 | 11.4 |
| AIRD-02-2R2K | 2.2 | 4 | 68 | 11.4 |
| AIRD-02-2R7K | 2.7 | 5 | 58 | 11.4 |
| AIRD-02-3R3K | 3.3 | 5 | 58 | 11.4 |
| AIRD-02-3R9K | 3.9 | 5 | 50 | 11.4 |
| AIRD-02-4R7K | 4.7 | 5 | 50 | 11.4 |
| AIRD-02-5R6K | 5.6 | 6 | 44 | 11.4 |
| AIRD-02-6R8K | 6.8 | 7 | 39 | 11.4 |
| AIRD-02-8R2K | 8.2 | 7 | 36 | 11.4 |
| AIRD-02-100K | 10 | 9 | 30 | 11.4 |
| AIRD-02-120K | 12 | 9 | 27 | 11.4 |
| AIRD-02-150K | 15 | 13 | 25 | 9.0 |
| AIRD-02-180K | 18 | 18 | 22 | 7.2 |
| AIRD-02-220K | 22 | 19 | 21 | 7.2 |
| AIRD-02-270K | 27 | 26 | 20 | 5.5 |
| AIRD-02-330K | 33 | 29 | 18 | 5.5 |
| AIRD-02-390K | 39 | 30 | 17 | 5.5 |
| AIRD-02-470K | 47 | 35 | 15 | 5.5 |

| Part Number ² | L ^{1,2} (μH) | DCR mΩ (MAX) | ISAT ³ A (MAX) | IAC A (MAX) |
|--------------------------|-----------------------|--------------|---------------------------|-------------|
| AIRD-02-560K | 56 | 39 | 13.0 | 5.5 |
| AIRD-02-680K | 68 | 53 | 12.0 | 4.8 |
| AIRD-02-820K | 82 | 60 | 11.0 | 4.8 |
| AIRD-02-101K | 100 | 80 | 10.0 | 4.0 |
| AIRD-02-121K | 120 | 90 | 9.4 | 4.0 |
| AIRD-02-151K | 150 | 98 | 8.6 | 4.0 |
| AIRD-02-181K | 180 | 110 | 7.8 | 4.0 |
| AIRD-02-221K | 220 | 150 | 7.0 | 2.8 |
| AIRD-02-271K | 270 | 213 | 6.3 | 2.0 |
| AIRD-02-331K | 330 | 305 | 5.2 | 1.6 |
| AIRD-02-391K | 390 | 320 | 4.9 | 1.6 |
| AIRD-02-471K | 470 | 355 | 4.5 | 1.6 |
| AIRD-02-561K | 560 | 388 | 4.1 | 1.6 |
| AIRD-02-681K | 680 | 430 | 3.7 | 1.6 |
| AIRD-02-821K | 820 | 590 | 3.4 | 1.3 |
| AIRD-02-102K | 1000 | 818 | 3.1 | 1.0 |
| AIRD-02-122K | 1200 | 1140 | 2.7 | 0.8 |
| AIRD-02-152K | 1500 | 1260 | 2.4 | 0.8 |
| AIRD-02-182K | 1800 | 1390 | 2.2 | 0.8 |
| AIRD-02-222K | 2200 | 1540 | 2.0 | 0.8 |

Notes:

1. Inductance (L) measured @ 100 KHz, 100 mV with 0 DC bias
2. Inductance (L) tolerance: J = 5%, K = 10%, M = 20%
3. Current rating at which inductance (L) drops 10%
4. Operating temperature -40°C to +125°C
5. Dimensions: inches / mm; see spec sheet for tolerance limits
6. Marking to include 'L' in μH
7. Specifications subject to change without notice

PHYSICAL CHARACTERISTICS⁵



THROUGH-HOLE DRUM CORE POWER INDUCTORS

AIRD-03 SERIES



STANDARD SPECIFICATIONS

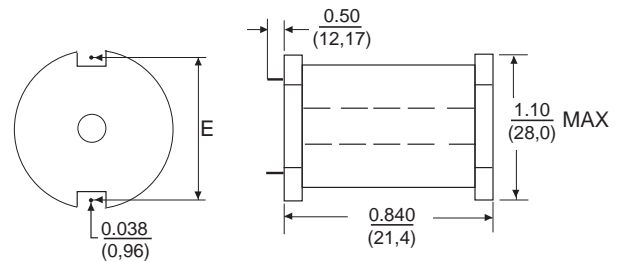
| Part Number ² | L ^{1,2} (mH) | DCR W (MAX) | Idc ³ A (MAX) | IAC A (MAX) | DIM E |
|--------------------------|-----------------------|-------------|--------------------------|-------------|-------|
| AIRD-03-1R0K | 1.0 | .003 | 116 | 21.0 | .790 |
| AIRD-03-1R2K | 1.2 | .003 | 116 | 21.0 | .790 |
| AIRD-03-1R5K | 1.5 | .003 | 116 | 21.0 | .790 |
| AIRD-03-1R8K | 1.8 | .003 | 90 | 21.0 | .790 |
| AIRD-03-2R2K | 2.2 | .003 | 90 | 21.0 | .790 |
| AIRD-03-2R7K | 2.7 | .003 | 74 | 21.0 | .790 |
| AIRD-03-3R3K | 3.3 | .003 | 74 | 21.0 | .790 |
| AIRD-03-3R9K | 3.9 | .003 | 62 | 21.0 | .790 |
| AIRD-03-4R7K | 4.7 | .003 | 54 | 21.0 | .790 |
| AIRD-03-5R6K | 5.6 | .003 | 54 | 21.0 | .790 |
| AIRD-03-6R8K | 6.8 | .004 | 47 | 21.0 | .790 |
| AIRD-03-8R2K | 8.2 | .004 | 42 | 21.0 | .790 |
| AIRD-03-100K | 10 | .006 | 38 | 17.0 | .770 |
| AIRD-03-120K | 12 | .008 | 35 | 13.5 | .750 |
| AIRD-03-150K | 15 | .009 | 32 | 13.5 | .750 |
| AIRD-03-180K | 18 | .010 | 29 | 13.5 | .750 |
| AIRD-03-220K | 22 | .011 | 25 | 13.5 | .750 |
| AIRD-03-270K | 27 | .012 | 23 | 13.5 | .800 |
| AIRD-03-330K | 33 | .017 | 20 | 13.5 | .780 |
| AIRD-03-390K | 39 | .022 | 19 | 11.4 | .780 |
| AIRD-03-470K | 47 | .024 | 19 | 9.0 | .760 |
| AIRD-03-560K | 56 | .026 | 17 | 9.0 | .760 |
| AIRD-03-680K | 68 | .029 | 15 | 9.0 | .760 |

| Part Number ² | L ^{1,2} (mH) | DCR W (MAX) | Idc ³ A (MAX) | IAC A (MAX) | DIM E |
|--------------------------|-----------------------|-------------|--------------------------|-------------|-------|
| AIRD-03-820K | 82 | .032 | 14 | 9.0 | .760 |
| AIRD-03-101K | 100 | .034 | 13 | 9.0 | .760 |
| AIRD-03-121K | 120 | .046 | 12 | 7.2 | .740 |
| AIRD-03-151K | 150 | .064 | 10 | 5.5 | .720 |
| AIRD-03-181K | 180 | .072 | 9.7 | 5.5 | .720 |
| AIRD-03-221K | 220 | .080 | 8.7 | 5.5 | .790 |
| AIRD-03-271K | 270 | .110 | 7.9 | 4.5 | .770 |
| AIRD-03-331K | 330 | .122 | 7.1 | 4.5 | .770 |
| AIRD-03-391K | 390 | .169 | 6.7 | 4.0 | .740 |
| AIRD-03-471K | 470 | .187 | 6.0 | 4.0 | .740 |
| AIRD-03-561K | 560 | .187 | 5.5 | 4.0 | .740 |
| AIRD-03-681K | 680 | .256 | 5.0 | 2.8 | .725 |
| AIRD-03-821K | 820 | .032 | 4.5 | 9.0 | .760 |
| AIRD-03-102K | 1000 | .426 | 4.1 | 2.0 | .715 |
| AIRD-03-122K | 1200 | .462 | 3.7 | 2.0 | .760 |
| AIRD-03-152K | 1500 | .518 | 3.4 | 2.0 | .760 |
| AIRD-03-182K | 1800 | .705 | 2.8 | 1.6 | .740 |
| AIRD-03-222K | 2200 | 1.02 | 2.5 | 1.3 | .720 |
| AIRD-03-272K | 2700 | 1.14 | 2.3 | 1.3 | .720 |
| AIRD-03-332K | 3300 | 1.27 | 2.0 | 1.3 | .720 |
| AIRD-03-392K | 3900 | 1.67 | 1.8 | 1.0 | .700 |
| AIRD-03-472K | 4700 | 1.86 | 1.7 | 1.00 | .730 |

Notes:

1. Inductance (L) measured @ 100 KHz, 100 mV with 0 DC bias
2. Inductance (L) tolerance: J = 5%, K = 10%, M = 20%
3. Current rating at which inductance (L) drops 10%
4. Operating temperature -40°C to +125°C
5. Dimensions: inches / mm; see spec sheet for tolerance limits
6. Marking to include 'L' in mH
7. Specifications subject to change without notice

PHYSICAL CHARACTERISTICS⁵



ABRACON IS
ISO 9001 / QS 9000
CERTIFIED

29 Journey • Aliso Viejo, CA 92656 • USA
(949) 448-7070 • Fax: (949) 448-8484

E-MAIL: abinfo@abracon.com • INTERNET ADDRESS: www.abracon.com





THROUGH-HOLE SHIELDED INDUCTORS AISR-01 SERIES

STANDARD SPECIFICATIONS

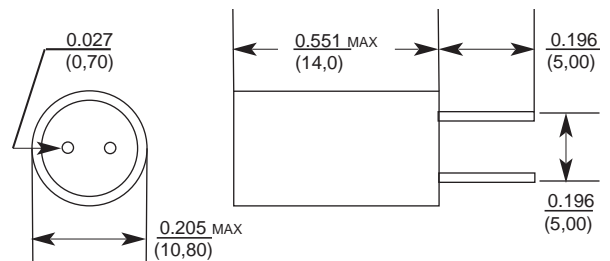
| Part Number ² | L ^{1,2} (mH) | Q (MIN) | DCR W (MAX) | I _{DC} ³ (mA) (MAX) | SRF (MIN) (MHz) |
|--------------------------|-----------------------|---------|-------------|---|-----------------|
| AISR-01-102J | 1000 | 70 | 3.4 | 90 | 0.77 |
| AISR-01-122J | 1200 | 70 | 3.7 | 75 | 0.70 |
| AISR-01-152J | 1500 | 70 | 4.0 | 70 | 0.64 |
| AISR-01-182J | 1800 | 70 | 4.5 | 65 | 0.57 |
| AISR-01-222J | 2200 | 70 | 5.2 | 60 | 0.51 |
| AISR-01-272J | 2700 | 70 | 5.8 | 55 | 0.48 |
| AISR-01-332J | 3300 | 100 | 6.1 | 50 | 0.44 |
| AISR-01-392J | 3900 | 100 | 7.2 | 45 | 0.41 |
| AISR-01-472J | 4700 | 100 | 7.5 | 40 | 0.38 |
| AISR-01-562J | 5600 | 100 | 8.4 | 40 | 0.35 |
| AISR-01-682J | 6800 | 100 | 9.7 | 35 | 0.32 |
| AISR-01-822J | 8200 | 100 | 10.4 | 30 | 0.28 |
| AISR-01-103J | 10000 | 100 | 12.1 | 25 | 0.25 |

| Part Number ² | L ^{1,2} (mH) | Q (MIN) | DCR W (MAX) | I _{DC} ³ (mA) (MAX) | SRF (MIN) (MHz) |
|--------------------------|-----------------------|---------|-------------|---|-----------------|
| AISR-01-123J | 12000 | 100 | 13.0 | 25 | 0.22 |
| AISR-01-153J | 15000 | 100 | 15.0 | 20 | 0.22 |
| AISR-01-183J | 18000 | 100 | 17.0 | 22 | 0.19 |
| AISR-01-223J | 22000 | 100 | 19.5 | 21 | 0.19 |
| AISR-01-273J | 27000 | 100 | 22.0 | 18 | 0.16 |
| AISR-01-333J | 33000 | 100 | 26.0 | 17 | 0.16 |
| AISR-01-363J | 36000 | 100 | 27.0 | 16 | 0.20 |
| AISR-01-393J | 39000 | 100 | 45.0 | 15 | 0.12 |
| AISR-01-473J | 47000 | 100 | 52.0 | 13 | 0.12 |
| AISR-01-563J | 56000 | 100 | 58.0 | 12 | 0.12 |
| AISR-01-683J | 68000 | 100 | 67.0 | 11 | 0.09 |
| AISR-01-104J | 100000 | 100 | 82.0 | 9 | 0.09 |
| AISR-01-124J | 120000 | 100 | 97.0 | 8 | 0.08 |

Notes:

1. Inductance (L) measured @ 1 KHz, 100 mV with 0 DC bias
2. Inductance (L) tolerance: J = 5%, K = 10%, M = 20%
3. Current rating at which inductance (L) drops 10%
4. Operating temperature -40°C to +125°C
5. Storage temperature -55°C to +125°C
6. Dimensions: inches / mm; see spec sheet for tolerance limits
7. Marking to include 'L' in mH
8. Specifications subject to change without notice

PHYSICAL CHARACTERISTICS⁶

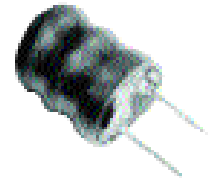


29 Journey • Aliso Viejo, CA 92656 • USA
 (949) 448-7070 • FAX: (949) 448-8484
 E-MAIL: abinfo@abracon.com • INTERNET ADDRESS: www.abracon.com

ABRACON IS
 ISO 9001 / QS 9000
 CERTIFIED

THROUGH-HOLE POWER INDUCTORS

AIUR-01, -02H SERIES



STANDARD SPECIFICATIONS

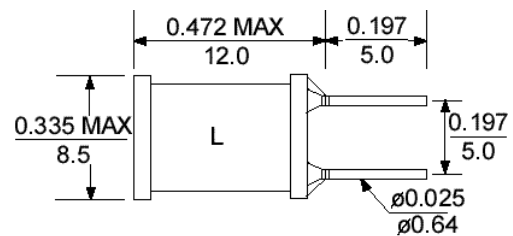
| Part Number ² | L ^{1,2} (μH) | Q (MIN) | L Test (KHz) | DCR Ω (MAX) | ISAT ⁴ mA (MAX) | SRF (MIN) (MHz) |
|--------------------------|-----------------------|---------|--------------|-------------|----------------------------|-----------------|
| AIUR-01-101K | 100 | 60 | 796 | 2 | 200 | 6.1 |
| AIUR-01-121K | 120 | 60 | 796 | 2 | 200 | 5.5 |
| AIUR-01-151K | 150 | 60 | 796 | 3 | 200 | 5.0 |
| AIUR-01-181K | 180 | 60 | 796 | 3 | 200 | 4.7 |
| AIUR-01-221K | 220 | 60 | 796 | 3 | 150 | 4.5 |
| AIUR-01-271K | 270 | 60 | 796 | 3 | 150 | 4.1 |
| AIUR-01-331K | 330 | 60 | 796 | 4 | 150 | 4.8 |
| AIUR-01-391K | 390 | 60 | 796 | 4 | 100 | 3.5 |
| AIUR-01-471K | 470 | 60 | 796 | 5 | 100 | 3.2 |
| AIUR-01-561K | 560 | 60 | 796 | 6 | 100 | 2.0 |
| AIUR-01-681K | 680 | 60 | 796 | 6 | 100 | 2.7 |
| AIUR-01-821K | 820 | 60 | 796 | 7 | 50 | 2.7 |
| AIUR-01-102K | 1000 | 80 | 252 | 9 | 50 | 2.1 |
| AIUR-01-122K | 1200 | 80 | 252 | 9 | 50 | 1.9 |
| AIUR-01-152K | 1500 | 80 | 252 | 11 | 50 | 1.8 |
| AIUR-01-182K | 1800 | 80 | 252 | 12 | 50 | 1.6 |
| AIUR-01-222K | 2200 | 80 | 252 | 14 | 50 | 1.5 |
| AIUR-01-272K | 2700 | 80 | 252 | 15 | 50 | 1.4 |
| AIUR-01-332K | 3300 | 80 | 252 | 25 | 40 | 0.9 |
| AIUR-01-392K | 3900 | 80 | 252 | 30 | 40 | 0.9 |
| AIUR-01-472K | 4700 | 80 | 252 | 32 | 40 | 0.8 |
| AIUR-01-562K | 5600 | 80 | 252 | 36 | 30 | 0.7 |
| AIUR-01-682K | 6800 | 80 | 252 | 40 | 30 | 0.7 |
| AIUR-01-822K | 8200 | 80 | 252 | 45 | 30 | 0.6 |
| AIUR-01-103K | 10000 | 60 | 79.6 | 55 | 20 | 0.6 |
| AIUR-01-123K | 12000 | 60 | 79.6 | 65 | 20 | 0.5 |
| AIUR-01-153K | 15000 | 60 | 79.6 | 80 | 20 | 0.5 |

| Part Number ² | L ^{1,2} (μH) | Q (MIN) | L Test (MHz) | DCR Ω (MAX) | ISAT ⁴ A (MAX) | SRF (MIN) (MHz) |
|--------------------------|-----------------------|---------|--------------|-------------|---------------------------|-----------------|
| AIUR-02H-1R0K | 1.0 | 20 | 7.96 | 0.02 | 8.60 | 130.0 |
| AIUR-02H-2R2K | 2.2 | 20 | 7.96 | 0.03 | 6.30 | 85.0 |
| AIUR-02H-3R3K | 3.3 | 20 | 7.96 | 0.03 | 5.40 | 79.0 |
| AIUR-02H-4R7K | 4.7 | 20 | 7.96 | 0.03 | 4.60 | 51.0 |
| AIUR-02H-6R8K | 6.8 | 20 | 7.96 | 0.04 | 4.10 | 35.0 |
| AIUR-02H-100K | 10 | 50 | 2.52 | 0.04 | 3.40 | 16.0 |
| AIUR-02H-120K | 12 | 50 | 2.52 | 0.05 | 3.10 | 15.0 |
| AIUR-02H-150K | 15 | 50 | 2.52 | 0.04 | 3.40 | 15.0 |
| AIUR-02H-180K | 18 | 40 | 2.52 | 0.06 | 2.66 | 13.0 |
| AIUR-02H-220K | 22 | 40 | 2.52 | 0.07 | 2.40 | 11.0 |
| AIUR-02H-270K | 27 | 40 | 2.52 | 0.07 | 2.22 | 11.0 |
| AIUR-02H-330K | 33 | 30 | 2.52 | 0.08 | 2.05 | 11.0 |
| AIUR-02H-390K | 39 | 30 | 2.52 | 0.10 | 1.77 | 10.0 |
| AIUR-02H-470K | 47 | 30 | 2.52 | 0.09 | 1.85 | 10.0 |
| AIUR-02H-560K | 56 | 30 | 2.52 | 0.15 | 1.48 | 10.0 |
| AIUR-02H-680K | 68 | 30 | 2.52 | 0.16 | 1.36 | 10.0 |
| AIUR-02H-820K | 82 | 30 | 2.52 | 0.17 | 1.30 | 10.0 |
| AIUR-02H-101K | 100 | 30 | 0.79 | 0.21 | 1.40 | 9.0 |
| AIUR-02H-121K | 120 | 30 | 0.79 | 0.24 | 1.25 | 9.0 |
| AIUR-02H-151K | 150 | 30 | 0.79 | 0.27 | 1.15 | 9.0 |
| AIUR-02H-181K | 180 | 30 | 0.79 | 0.30 | 1.08 | 9.0 |
| AIUR-02H-221K | 220 | 30 | 0.79 | 0.34 | 1.00 | 9.0 |
| AIUR-02H-271K | 270 | 30 | 0.79 | 0.39 | 0.90 | 9.0 |
| AIUR-02H-331K | 330 | 30 | 0.79 | 0.62 | 0.78 | 9.0 |
| AIUR-02H-391K | 390 | 30 | 0.79 | 0.69 | 0.74 | 9.0 |
| AIUR-02H-471K | 470 | 30 | 0.79 | 0.77 | 0.68 | 9.0 |
| AIUR-02H-561K | 560 | 30 | 0.79 | 0.83 | 0.64 | 9.0 |
| AIUR-02H-681K | 680 | 20 | 0.79 | 0.94 | 0.59 | 9.0 |
| AIUR-02H-821K | 820 | 20 | 0.79 | 1.03 | 0.56 | 9.0 |
| AIUR-02H-102K | 1000 | 20 | 0.79 | 1.18 | 0.51 | 9.0 |

NOTES:

1. Inductance (L) tolerance: J = 5%, K = 10%, M = 20%
2. Letter suffix indicates standard tolerance
3. Operating temperature: -40°C to +125°C
4. Inductance drops by 10%
5. Marking to include 'L' in μH
6. Dimensions: inches / mm; see spec sheet for tolerance limits
7. Specifications subject to change without notice

PHYSICAL CHARACTERISTICS⁶



ABRACON IS
ISO 9001 / QS 9000
CERTIFIED

29 Journey • Aliso Viejo, CA 92656 • USA
(949) 448-7070 • Fax: (949) 448-8484

E-MAIL: abinfo@abracon.com • INTERNET ADDRESS: www.abracon.com





THROUGH-HOLE POWER INDUCTORS

AIUR-03, -04 SERIES

STANDARD SPECIFICATIONS

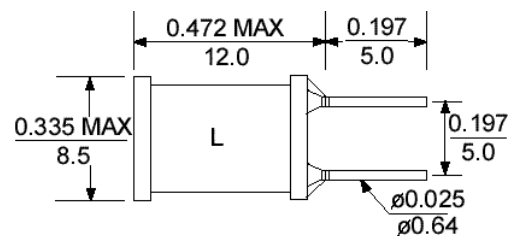
| Part Number ² | L ^{1,2} (μH) | Q (MIN) | L Test (MHz) | DCR Ω (MAX) | ISAT ⁴ A (MAX) | SRF (MIN) (MHz) |
|--------------------------|-----------------------|---------|--------------|-------------|---------------------------|-----------------|
| AIUR-03-1R0K | 1.0 | 20 | 7.96 | 0.013 | 10 | 150 |
| AIUR-03-1R5K | 1.5 | 20 | 7.96 | 0.016 | 8.5 | 130 |
| AIUR-03-2R2K | 2.2 | 20 | 7.96 | 0.021 | 6.5 | 100 |
| AIUR-03-3R3K | 3.3 | 20 | 7.96 | 0.025 | 5.5 | 79 |
| AIUR-03-4R7K | 4.7 | 20 | 7.96 | 0.030 | 4.3 | 51 |
| AIUR-03-6R8K | 6.8 | 20 | 2.52 | 0.035 | 3.7 | 29 |
| AIUR-03-100K | 10 | 50 | 2.52 | 0.045 | 3.0 | 14 |
| AIUR-03-120K | 12 | 50 | 2.52 | 0.050 | 2.7 | 13 |
| AIUR-03-150K | 15 | 50 | 2.52 | 0.056 | 2.3 | 12 |
| AIUR-03-180K | 18 | 40 | 2.52 | 0.061 | 2.2 | 11 |
| AIUR-03-220K | 22 | 40 | 2.52 | 0.070 | 2.0 | 9.2 |
| AIUR-03-270K | 27 | 40 | 2.52 | 0.080 | 1.7 | 8.5 |
| AIUR-03-330K | 33 | 30 | 2.52 | 0.090 | 1.6 | 7.8 |
| AIUR-03-390K | 39 | 30 | 2.52 | 0.100 | 1.5 | 6.9 |
| AIUR-03-470K | 47 | 30 | 2.52 | 0.160 | 1.4 | 6.5 |
| AIUR-03-560K | 56 | 30 | 2.52 | 0.180 | 1.3 | 5.4 |
| AIUR-03-680K | 68 | 30 | 2.52 | 0.210 | 1.2 | 4.9 |
| AIUR-03-820K | 82 | 30 | 2.52 | 0.230 | 1.1 | 4.1 |
| AIUR-03-101K | 100 | 20 | 0.796 | 0.280 | 0.91 | 3.7 |
| AIUR-03-121K | 120 | 20 | 0.796 | 0.320 | 0.84 | 3.4 |
| AIUR-03-151K | 150 | 20 | 0.796 | 0.370 | 0.75 | 3.2 |
| AIUR-03-181K | 180 | 20 | 0.796 | 0.580 | 0.69 | 2.8 |
| AIUR-03-221K | 220 | 20 | 0.796 | 0.650 | 0.64 | 2.7 |
| AIUR-03-331K | 330 | 20 | 0.796 | 0.850 | 0.54 | 2.3 |
| AIUR-03-391K | 390 | 20 | 0.796 | 1.00 | 0.48 | 2.1 |
| AIUR-03-471K | 470 | 20 | 0.796 | 1.10 | 0.46 | 1.9 |
| AIUR-03-561K | 560 | 20 | 0.796 | 1.40 | 0.41 | 1.8 |
| AIUR-03-681K | 680 | 20 | 0.796 | 1.60 | 0.38 | 1.6 |
| AIUR-03-821K | 820 | 20 | 0.796 | 1.80 | 0.35 | 1.5 |
| AIUR-03-102K | 1000 | 50 | 0.252 | 2.90 | 0.29 | 1.3 |

| Part Number ² | L ^{1,2} (μH) | Q (MIN) | L Test (KHz) | DCR Ω (MAX) | ISAT ⁴ mA (MAX) | SRF (MIN) (MHz) |
|--------------------------|-----------------------|---------|--------------|-------------|----------------------------|-----------------|
| AIUR-04-101J | 100 | 80 | 796 | 2.0 | 200 | 5.3 |
| AIUR-04-121J | 120 | 80 | 796 | 2.0 | 200 | 4.5 |
| AIUR-04-151J | 150 | 80 | 796 | 2.0 | 200 | 3.8 |
| AIUR-04-181J | 180 | 80 | 796 | 3.0 | 200 | 3.3 |
| AIUR-04-221J | 220 | 80 | 796 | 3.0 | 200 | 2.9 |
| AIUR-04-271J | 270 | 80 | 796 | 3.0 | 200 | 2.6 |
| AIUR-04-331J | 330 | 80 | 796 | 4.0 | 200 | 2.3 |
| AIUR-04-391J | 390 | 80 | 796 | 4.0 | 200 | 2.1 |
| AIUR-04-471J | 470 | 80 | 796 | 4.0 | 200 | 1.9 |
| AIUR-04-561J | 560 | 80 | 796 | 4.0 | 200 | 1.7 |
| AIUR-04-681J | 680 | 80 | 796 | 4.0 | 200 | 1.6 |
| AIUR-04-821J | 820 | 80 | 796 | 6.0 | 200 | 1.4 |
| AIUR-04-102J | 1000 | 90 | 252 | 6.0 | 150 | 1.3 |
| AIUR-04-122J | 1200 | 90 | 252 | 9.0 | 150 | 1.2 |
| AIUR-04-152J | 1500 | 90 | 252 | 9.0 | 150 | 1.1 |
| AIUR-04-182J | 1800 | 90 | 252 | 9.0 | 100 | 1.0 |
| AIUR-04-222J | 2200 | 90 | 252 | 13 | 100 | 0.9 |
| AIUR-04-272J | 2700 | 90 | 252 | 13 | 100 | 0.8 |
| AIUR-04-332J | 3300 | 90 | 252 | 13 | 100 | 0.7 |
| AIUR-04-392J | 3900 | 90 | 252 | 13 | 50 | 0.7 |
| AIUR-04-472J | 4700 | 90 | 252 | 18 | 50 | 0.6 |
| AIUR-04-562J | 5600 | 90 | 252 | 18 | 50 | 0.6 |
| AIUR-04-682J | 6800 | 90 | 252 | 26 | 50 | 0.5 |
| AIUR-04-822J | 8200 | 90 | 252 | 26 | 50 | 0.5 |
| AIUR-04-103J | 10000 | 100 | 79.6 | 40 | 40 | 0.4 |
| AIUR-04-123J | 12000 | 100 | 79.6 | 40 | 40 | 0.4 |
| AIUR-04-153J | 15000 | 100 | 79.6 | 60 | 40 | 0.4 |
| AIUR-04-183J | 18000 | 100 | 79.6 | 60 | 30 | 0.3 |
| AIUR-04-223J | 22000 | 100 | 79.6 | 80 | 30 | 0.3 |
| AIUR-04-273J | 27000 | 100 | 79.6 | 80 | 30 | 0.3 |

NOTES:

- Inductance (L) tolerance: J = 5%, K = 10%, M = 20%
- Letter suffix indicates standard tolerance
- Operating temperature: -40°C to 125°C
- Inductance drops by 10%
- Marking to include 'L' in μH
- Dimensions: inches / mm; see spec sheet for tolerance limits
- Specifications subject to change without notice

PHYSICAL CHARACTERISTICS⁶



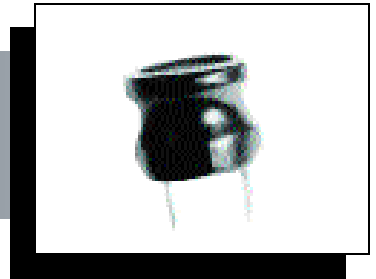
29 Journey • Aliso Viejo, CA 92656 • USA
(949) 448-7070 • FAX: (949) 448-8484

E-MAIL: abinfo@abracon.com • INTERNET ADDRESS: www.abracon.com

ABRACON IS
ISO 9001 / QS 9000
CERTIFIED

THROUGH-HOLE POWER INDUCTORS

AIUR-05 SERIES



STANDARD SPECIFICATIONS

| Part Number ² | L ^{1,2} (μH) | Q (MIN) | SRF MHz (MIN) | DCR Ω (MAX) | I _{DC} ³ A (MAX) | Figure |
|--------------------------|-----------------------|---------|---------------|-------------|--------------------------------------|--------|
| AIUR-05-3R3M | 3.3 | 10 | 38 | 0.013 | 4.50 | 1 |
| AIUR-05-4R7M | 4.7 | 10 | 30 | 0.017 | 3.70 | 1 |
| AIUR-05-5R8M | 5.8 | 10 | 24 | 0.022 | 3.10 | 1 |
| AIUR-05-100K | 10 | 20 | 19 | 0.031 | 2.50 | 1 |
| AIUR-05-150K | 15 | 20 | 15 | 0.042 | 2.00 | 1 |
| AIUR-05-220K | 22 | 20 | 12 | 0.070 | 1.60 | 2 |
| AIUR-05-330K | 33 | 20 | 10 | 0.092 | 1.30 | 2 |
| AIUR-05-470K | 47 | 20 | 8.2 | 0.130 | 1.10 | 2 |
| AIUR-05-680K | 68 | 20 | 8.2 | 0.130 | 1.10 | 2 |
| AIUR-05-101K | 100 | 15 | 5.4 | 0.230 | 0.75 | 2 |
| AIUR-05-151K | 150 | 15 | 4.3 | 0.400 | 0.61 | 2 |
| AIUR-05-221K | 220 | 15 | 3.5 | 0.530 | 0.50 | 2 |
| AIUR-05-331K | 330 | 15 | 2.8 | 0.780 | 0.41 | 2 |
| AIUR-05-471K | 470 | 10 | 2.3 | 1.000 | 0.34 | 2 |
| AIUR-05-681K | 680 | 10 | 1.9 | 1.500 | 0.28 | 2 |
| AIUR-05-102K | 1000 | 20 | 1.5 | 2.200 | 0.23 | 2 |
| AIUR-05-152K | 1500 | 30 | 1.2 | 3.500 | 0.18 | 2 |

PHYSICAL CHARACTERISTICS⁵

Figure 1

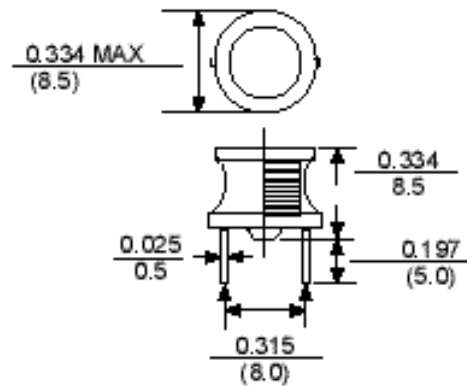
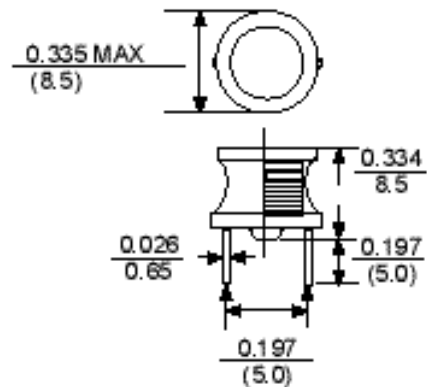


Figure 2



Notes:

1. Inductance (L) measured @ 100 KHz, 100 mV with 0 DC bias
2. Inductance (L) tolerance: J = 5%, K = 10%, M = 20%
3. Current rating at which inductance (L) drops 10%
4. Operating temperature -40°C to +125°C
5. Dimensions: inches / mm; see spec sheet for tolerance limits
6. Marking to include 'L' in μH
7. Specifications subject to change without notice

ABRACON IS
ISO 9001 / QS 9000
CERTIFIED

29 Journey • Aliso Viejo, CA 92656 • USA
(949) 448-7070 • Fax: (949) 448-8484
E-MAIL: abinfo@abracon.com • INTERNET ADDRESS: www.abracon.com





THROUGH-HOLE POWER INDUCTORS

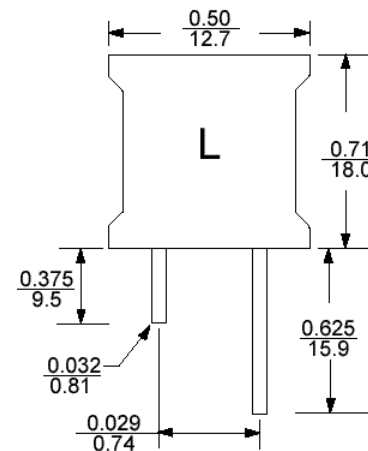
AIUR-06 SERIES

STANDARD SPECIFICATIONS

| Part Number ² | L ^{1,2} (μ H) | DCR Ω (MAX) | I _{DC} ⁴ A (MAX) | I _{AC} A (MAX) |
|--------------------------|--------------------------------|--------------------------|--|-------------------------------|
| AIUR-06-3R9K | 3.9 | 0.016 | 14.2 | 2.6 |
| AIUR-06-4R7K | 4.7 | 0.018 | 13.0 | 2.6 |
| AIUR-06-5R6K | 5.6 | 0.021 | 11.0 | 2.6 |
| AIUR-06-6R8K | 6.8 | 0.023 | 10.0 | 2.6 |
| AIUR-06-8R2K | 8.2 | 0.026 | 9.5 | 2.6 |
| AIUR-06-100K | 10 | 0.031 | 8.8 | 2.6 |
| AIUR-06-120K | 12 | 0.036 | 7.9 | 2.6 |
| AIUR-06-150K | 15 | 0.040 | 7.1 | 2.6 |
| AIUR-06-180K | 18 | 0.041 | 7.4 | 2.6 |
| AIUR-06-220K | 22 | 0.043 | 6.1 | 2.6 |
| AIUR-06-270K | 27 | 0.046 | 5.5 | 2.6 |
| AIUR-06-330K | 33 | 0.051 | 5.2 | 2.6 |
| AIUR-06-390K | 39 | 0.054 | 4.5 | 2.6 |
| AIUR-06-470K | 47 | 0.063 | 4.1 | 2.6 |
| AIUR-06-560K | 56 | 0.075 | 3.8 | 2.6 |
| AIUR-06-680K | 68 | 0.078 | 3.5 | 2.6 |
| AIUR-06-820K | 82 | 0.088 | 3.1 | 2.6 |
| AIUR-06-101K | 100 | 0.108 | 2.8 | 2.0 |
| AIUR-06-121K | 120 | 0.127 | 2.6 | 2.0 |
| AIUR-06-151K | 150 | 0.162 | 2.4 | 1.6 |
| AIUR-06-181K | 180 | 0.228 | 2.1 | 1.3 |
| AIUR-06-221K | 220 | 0.252 | 1.9 | 1.3 |
| AIUR-06-271K | 270 | 0.270 | 1.75 | 1.3 |

| Part Number ² | L ^{1,2} (μ H) | DCR Ω (MAX) | I _{DC} ⁴ A (MAX) | I _{AC} A (MAX) |
|--------------------------|--------------------------------|--------------------------|--|-------------------------------|
| AIUR-06-331K | 330 | 0.394 | 1.62 | 1.00 |
| AIUR-06-391K | 390 | 0.416 | 1.40 | 1.00 |
| AIUR-06-471K | 470 | 0.568 | 1.30 | 0.80 |
| AIUR-06-561K | 560 | 0.650 | 1.20 | 0.80 |
| AIUR-06-681K | 680 | 0.740 | 1.10 | 0.62 |
| AIUR-06-821K | 820 | 1.0 | 0.96 | 0.49 |
| AIUR-06-102K | 1000 | 1.2 | 0.88 | 0.49 |
| AIUR-06-122K | 1200 | 1.5 | 0.80 | 0.49 |
| AIUR-06-152K | 1500 | 1.7 | 0.72 | 0.39 |
| AIUR-06-182K | 1800 | 1.8 | 0.66 | 0.39 |
| AIUR-06-222K | 2200 | 2.4 | 0.60 | 0.39 |
| AIUR-06-272K | 2700 | 2.8 | 0.54 | 0.30 |
| AIUR-06-332K | 3300 | 3.7 | 0.48 | 0.25 |
| AIUR-06-392K | 3900 | 5.0 | 0.42 | 0.25 |
| AIUR-06-472K | 4700 | 5.6 | 0.40 | 0.25 |
| AIUR-06-562K | 5600 | 6.3 | 0.37 | 0.19 |
| AIUR-06-682K | 6800 | 8.4 | 0.34 | 0.19 |
| AIUR-06-822K | 8200 | 9.6 | 0.31 | 0.19 |
| AIUR-06-103K | 10000 | 10.5 | 0.29 | 0.19 |
| AIUR-06-123K | 12000 | 14.5 | 0.25 | 0.15 |
| AIUR-06-153K | 15000 | 20.5 | 0.23 | 0.12 |

PHYSICAL CHARACTERISTICS⁶



NOTES:

1. Inductance (L) measured @ 10 KHz, 100 mV with 0 DC bias
2. Inductance (L) tolerance: J = 5%, K = 10%, M = 20%
3. Operating temperature: -55°C to +125°C
4. Inductance drops by 10%
5. Marking to include 'L' in μ H
6. Dimensions: inches / mm; see spec sheet for tolerance limits
7. Specifications subject to change without notice

THROUGH-HOLE POWER INDUCTORS

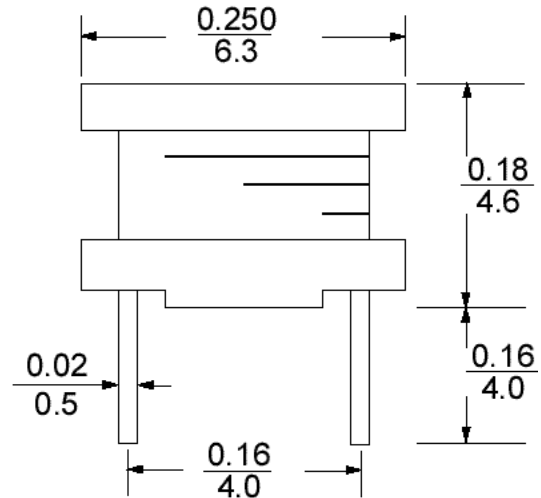
AIUR-07 SERIES



STANDARD SPECIFICATIONS

| Part Number ² | L ^{1,2} (μ H) | DCR Ω (MAX) | I _{DC} ⁴ A (MAX) | Q 100 KHz (MIN) |
|--------------------------|--------------------------------|--------------------------|--|-----------------------|
| AIUR-07-100K | 10 | 0.10 | 1.5 | 24 |
| AIUR-07-120K | 12 | 0.12 | 1.4 | 23 |
| AIUR-07-150K | 15 | 0.13 | 1.3 | 22 |
| AIUR-07-180K | 18 | 0.14 | 1.1 | 31 |
| AIUR-07-220K | 22 | 0.16 | 1.0 | 29 |
| AIUR-07-270K | 27 | 0.19 | 0.9 | 27 |
| AIUR-07-330K | 33 | 0.25 | 0.8 | 37 |
| AIUR-07-390K | 39 | 0.28 | 0.5 | 37 |
| AIUR-07-470K | 47 | 0.32 | 0.7 | 35 |
| AIUR-07-560K | 56 | 0.37 | 0.6 | 34 |
| AIUR-07-680K | 68 | 0.46 | 0.6 | 39 |
| AIUR-07-820K | 82 | 0.54 | 0.5 | 36 |
| AIUR-07-101K | 100 | 0.66 | 0.5 | 43 |
| AIUR-07-121K | 120 | 0.87 | 0.4 | 48 |
| AIUR-07-151K | 150 | 1.03 | 0.4 | 49 |
| AIUR-07-181K | 180 | 1.26 | 0.4 | 47 |
| AIUR-07-221K | 220 | 1.39 | 0.3 | 47 |
| AIUR-07-271K | 270 | 2.0 | 0.3 | 53 |
| AIUR-07-331K | 330 | 2.2 | 0.3 | 55 |
| AIUR-07-391K | 390 | 2.6 | 0.2 | 56 |
| AIUR-07-471K | 470 | 3.0 | 0.2 | 53 |
| AIUR-07-561K | 560 | 3.5 | 0.2 | 53 |
| AIUR-07-681K | 680 | 4.7 | 0.18 | 58 |
| AIUR-07-821K | 820 | 5.3 | 0.17 | 57 |
| AIUR-07-102K | 1000 | 6.3 | 0.15 | 60 |

PHYSICAL CHARACTERISTICS⁶



NOTES:

- Inductance (L) <100 μ H measured at 2.52 MHz, 100 mV with 0 DC bias
 \geq 100 μ H measured at 100 KHz, 100 mV with 0 DC bias
- Inductance (L) tolerance: J = 5%, K = 10%, M = 20%
- Operating temperature: -55°C to +125°C
- Inductance drops by 10%
- Marking to include 'L' in μ H
- Dimensions: inches / mm; see spec sheet for tolerance limits
- Specifications subject to change without notice

ABRACON IS
ISO 9001 / QS 9000
CERTIFIED

29 Journey • Aliso Viejo, CA 92656 • USA
 (949) 448-7070 • Fax: (949) 448-8484
 E-MAIL: abinfo@abracon.com • INTERNET ADDRESS: www.abracon.com





THROUGH-HOLE POWER INDUCTORS

AIUR-08, -09 SERIES

STANDARD SPECIFICATIONS

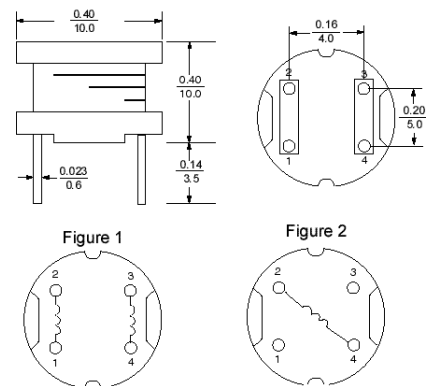
| Part Number ² | L ^{1,2} (μH) | DCR Ω (MAX) | I _{DC} ⁴ A (MAX) | Figure |
|--------------------------|-----------------------|-------------|--------------------------------------|--------|
| AIUR-08-100K | 10 | 0.022 | 5.3 | 1 |
| AIUR-08-120K | 12 | 0.023 | 4.9 | 1 |
| AIUR-08-150K | 15 | 0.026 | 4.4 | 1 |
| AIUR-08-180K | 18 | 0.033 | 4.0 | 1 |
| AIUR-08-220K | 22 | 0.037 | 3.6 | 1 |
| AIUR-08-330K | 33 | 0.055 | 2.9 | 1 |
| AIUR-08-390K | 39 | 0.073 | 2.7 | 2 |
| AIUR-08-470K | 47 | 0.083 | 2.5 | 2 |
| AIUR-08-560K | 56 | 0.092 | 2.3 | 2 |
| AIUR-08-680K | 68 | 0.12 | 2.1 | 2 |
| AIUR-08-820K | 82 | 0.14 | 1.9 | 2 |
| AIUR-08-101K | 100 | 0.16 | 1.7 | 2 |
| AIUR-08-121K | 120 | 0.20 | 1.5 | 2 |
| AIUR-08-151K | 150 | 0.23 | 1.4 | 2 |
| AIUR-08-181K | 180 | 0.31 | 1.3 | 2 |
| AIUR-08-221K | 220 | 0.34 | 1.1 | 2 |
| AIUR-08-271K | 270 | 0.40 | 1.00 | 2 |
| AIUR-08-331K | 330 | 0.52 | 0.93 | 2 |
| AIUR-08-391K | 390 | 0.65 | 0.86 | 2 |
| AIUR-08-471K | 470 | 0.71 | 0.78 | 2 |
| AIUR-08-561K | 560 | 1.00 | 0.71 | 2 |
| AIUR-08-681K | 680 | 1.10 | 0.65 | 2 |
| AIUR-08-821K | 820 | 1.30 | 0.59 | 2 |
| AIUR-08-102K | 1000 | 1.70 | 0.53 | 2 |

| Part Number ² | L ^{1,2} (μH) | DCR Ω (MAX) | I _{DC} ⁴ A (MAX) | Figure |
|--------------------------|-----------------------|-------------|--------------------------------------|--------|
| AIUR-09-100M | 10 | 0.044 | 3.6 | 2 |
| AIUR-09-120M | 12 | 0.054 | 3.3 | 2 |
| AIUR-09-150M | 15 | 0.062 | 2.9 | 2 |
| AIUR-09-180M | 18 | 0.088 | 2.7 | 2 |
| AIUR-09-220M | 22 | 0.092 | 2.4 | 2 |
| AIUR-09-270M | 27 | 0.110 | 2.2 | 2 |
| AIUR-09-330M | 33 | 0.140 | 2.0 | 2 |
| AIUR-09-390M | 39 | 0.160 | 1.8 | 2 |
| AIUR-09-470M | 47 | 0.180 | 1.7 | 2 |
| AIUR-09-560M | 56 | 0.210 | 1.5 | 2 |
| AIUR-09-680M | 68 | 0.25 | 1.4 | 2 |
| AIUR-09-820M | 82 | 0.32 | 1.3 | 2 |
| AIUR-09-101K | 100 | 0.36 | 1.3 | 2 |
| AIUR-09-121K | 120 | 0.42 | 1.1 | 2 |
| AIUR-09-151K | 150 | 0.51 | 1.0 | 2 |
| AIUR-09-181K | 180 | 0.62 | 0.84 | 2 |
| AIUR-09-221K | 220 | 0.70 | 0.81 | 2 |
| AIUR-09-271K | 270 | 0.90 | 0.72 | 2 |
| AIUR-09-331K | 330 | 1.20 | 0.62 | 2 |
| AIUR-09-391K | 390 | 1.30 | 0.59 | 2 |
| AIUR-09-471K | 470 | 1.50 | 0.57 | 2 |
| AIUR-09-561K | 560 | 1.90 | 0.49 | 2 |
| AIUR-09-681K | 680 | 2.40 | 0.45 | 2 |
| AIUR-09-821K | 820 | 2.80 | 0.43 | 2 |
| AIUR-09-102K | 1000 | 3.30 | 0.36 | 2 |

NOTES:

- Inductance (L) <100 μH measured at 2.52 MHz, 100 mV with 0 DC bias
≥100 μH measured at 100 KHz, 100 mV with 0 DC bias
- Inductance (L) tolerance: J = 5%, K = 10%, M = 20%
- Operating temperature: -55°C to 85°C
- Inductance drops by 10%
- Marking to include 'L' in μH
- Dimensions: inches / mm; see spec sheet for tolerance limits
- Specifications subject to change without notice

PHYSICAL CHARACTERISTICS⁶



29 Journey • Aliso Viejo, CA 92656 • USA
(949) 448-7070 • FAX: (949) 448-8484

E-MAIL: abinfo@abracon.com • INTERNET ADDRESS: www.abracon.com

ABRACON IS
ISO 9001 / QS 9000
CERTIFIED

THROUGH-HOLE POWER INDUCTORS

AIUR-10 SERIES



STANDARD SPECIFICATIONS

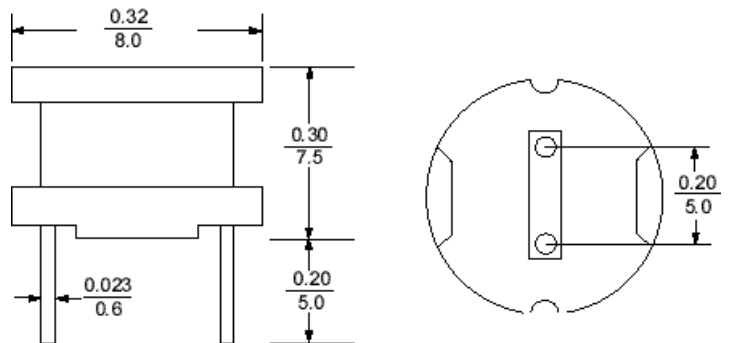
| Part Number ² | L ^{1,2} (μH) | DCR Ω (MAX) | I _{DC} ⁴ A (MAX) |
|--------------------------|-----------------------|-------------|--------------------------------------|
| AIUR-10-100K | 10 | 0.08 | 2.45 |
| AIUR-10-120K | 12 | 0.09 | 2.30 |
| AIUR-10-150K | 15 | 0.10 | 2.00 |
| AIUR-10-180K | 18 | 0.12 | 1.80 |
| AIUR-10-220K | 22 | 0.13 | 1.67 |
| AIUR-10-270K | 27 | 0.14 | 1.59 |
| AIUR-10-330K | 33 | 0.15 | 1.27 |
| AIUR-10-390K | 39 | 0.16 | 1.19 |
| AIUR-10-470K | 47 | 0.23 | 1.16 |
| AIUR-10-560K | 56 | 0.26 | 1.08 |
| AIUR-10-680K | 68 | 0.27 | 1.02 |
| AIUR-10-820K | 82 | 0.31 | 0.86 |
| AIUR-10-101K | 100 | 0.44 | 0.77 |
| AIUR-10-121K | 120 | 0.50 | 0.73 |
| AIUR-10-151K | 150 | 0.58 | 0.59 |
| AIUR-10-181K | 180 | 0.65 | 0.55 |

| Part Number ² | L ^{1,2} (μH) | DCR Ω (MAX) | I _{DC} ⁴ A (MAX) |
|--------------------------|-----------------------|-------------|--------------------------------------|
| AIUR-10-221K | 220 | 0.85 | 0.45 |
| AIUR-10-471K | 270 | 0.99 | 0.41 |
| AIUR-10-331K | 330 | 1.12 | 0.35 |
| AIUR-10-391K | 390 | 1.26 | 0.32 |
| AIUR-10-471K | 470 | 1.68 | 0.28 |
| AIUR-10-561K | 560 | 1.88 | 0.24 |
| AIUR-10-681K | 680 | 2.18 | 0.23 |
| AIUR-10-821K | 820 | 2.71 | 0.21 |
| AIUR-10-102K | 1000 | 3.01 | 0.20 |
| AIUR-10-122K | 1200 | 3.41 | 0.18 |
| AIUR-10-152K | 1500 | 4.00 | 0.17 |
| AIUR-10-182K | 1800 | 6.12 | 0.16 |
| AIUR-10-222K | 2200 | 6.98 | 0.16 |
| AIUR-10-272K | 2700 | 7.97 | 0.16 |
| AIUR-10-332K | 3300 | 11.8 | 0.15 |
| AIUR-10-392K | 3900 | 13.0 | 0.14 |

NOTES:

- Inductance (L) <100 μH measured at 2.52 MHz, 100 mV with 0 DC bias
≥100 μH measured at 100 KHz, 100 mV with 0 DC bias
- Inductance (L) tolerance: J = 5%, K = 10%, M = 20%
- Operating temperature: -55°C to 85°C
- Inductance drops by 10%
- Marking to include 'L' in μH
- Dimensions: inches / mm; see spec sheet for tolerance limits
- Specifications subject to change without notice

PHYSICAL CHARACTERISTICS⁶



ABRACON IS
ISO 9001 / QS 9000
CERTIFIED

29 Journey • Aliso Viejo, CA 92656 • USA
(949) 448-7070 • Fax: (949) 448-8484

E-MAIL: abinfo@abracon.com • INTERNET ADDRESS: www.abracon.com





THROUGH-HOLE POWER INDUCTORS

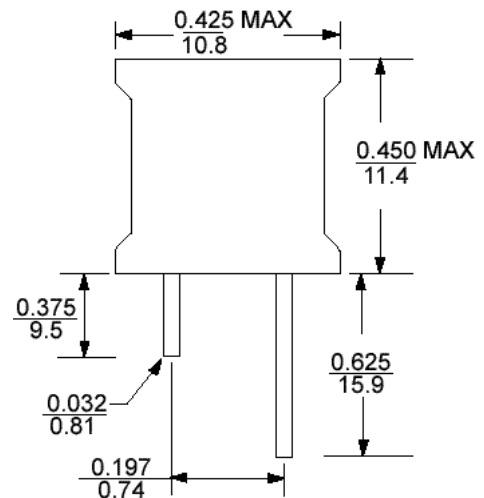
AIUR-11 SERIES

STANDARD SPECIFICATIONS

| Part Number ² | L ^{1,2} (μH) | DCR Ω (MAX) | I _{DC} ⁴ A (MAX) | I _{AC} A (MAX) |
|--------------------------|-----------------------|-------------|--------------------------------------|-------------------------|
| AIUR-11-3R9K | 3.9 | 0.022 | 6.80 | 1.60 |
| AIUR-11-4R7K | 4.7 | 0.024 | 6.20 | 1.60 |
| AIUR-11-5R6K | 5.6 | 0.025 | 5.60 | 1.60 |
| AIUR-11-6R8K | 6.8 | 0.028 | 5.10 | 1.60 |
| AIUR-11-8R2K | 8.2 | 0.030 | 4.60 | 1.60 |
| AIUR-11-100K | 10 | 0.034 | 4.20 | 1.60 |
| AIUR-11-120K | 12 | 0.038 | 3.80 | 1.60 |
| AIUR-11-150K | 15 | 0.043 | 3.30 | 1.60 |
| AIUR-11-180K | 18 | 0.049 | 3.10 | 1.60 |
| AIUR-11-220K | 22 | 0.054 | 2.70 | 1.60 |
| AIUR-11-270K | 27 | 0.059 | 2.50 | 1.60 |
| AIUR-11-330K | 33 | 0.066 | 2.30 | 1.60 |
| AIUR-11-390K | 39 | 0.078 | 2.20 | 1.60 |
| AIUR-11-470K | 47 | 0.102 | 1.90 | 1.30 |
| AIUR-11-560K | 56 | 0.138 | 1.60 | 1.00 |
| AIUR-11-680K | 68 | 0.168 | 1.45 | 1.00 |
| AIUR-11-820K | 82 | 0.174 | 1.30 | 1.00 |
| AIUR-11-101K | 100 | 0.180 | 1.20 | 1.00 |
| AIUR-11-121K | 120 | 0.234 | 1.10 | 0.80 |
| AIUR-11-151K | 150 | 0.276 | 1.00 | 0.80 |
| AIUR-11-181K | 180 | 0.300 | 0.92 | 0.80 |
| AIUR-11-221K | 220 | 0.353 | 0.86 | 0.80 |
| AIUR-11-271K | 270 | 0.500 | 0.76 | 0.62 |

| Part Number ² | L ^{1,2} (μH) | DCR Ω (MAX) | I _{DC} ⁴ A (MAX) | I _{AC} A (MAX) |
|--------------------------|-----------------------|-------------|--------------------------------------|-------------------------|
| AIUR-11-331K | 330 | 0.635 | 0.700 | 0.490 |
| AIUR-11-391K | 390 | 0.720 | 0.620 | 0.490 |
| AIUR-11-471K | 470 | 0.816 | 0.600 | 0.490 |
| AIUR-11-561K | 560 | 1.030 | 0.540 | 0.385 |
| AIUR-11-681K | 680 | 1.200 | 0.510 | 0.385 |
| AIUR-11-821K | 820 | 1.54 | 4.500 | 0.300 |
| AIUR-11-102K | 1000 | 2.16 | 0.390 | 0.246 |
| AIUR-11-122K | 1200 | 2.40 | 0.360 | 0.246 |
| AIUR-11-152K | 1500 | 2.76 | 0.340 | 0.246 |
| AIUR-11-182K | 1800 | 3.60 | 0.300 | 0.190 |
| AIUR-11-222K | 2200 | 4.00 | 0.245 | 0.190 |
| AIUR-11-272K | 2700 | 6.00 | 0.238 | 0.150 |
| AIUR-11-332K | 3300 | 6.72 | 0.225 | 0.150 |
| AIUR-11-392K | 3900 | 8.80 | 0.200 | 0.120 |
| AIUR-11-472K | 4700 | 11.00 | 0.185 | 0.095 |
| AIUR-11-562K | 5600 | 13.20 | 0.170 | 0.095 |
| AIUR-11-682K | 6800 | 14.50 | 0.150 | 0.095 |
| AIUR-11-822K | 8200 | 16.55 | 0.140 | 0.095 |
| AIUR-11-103K | 10000 | 20.40 | 0.130 | 0.076 |
| AIUR-11-123K | 12000 | 24.00 | 0.120 | 0.076 |
| AIUR-11-153K | 15000 | 27.60 | 0.100 | 0.076 |

PHYSICAL CHARACTERISTICS⁶



NOTES:

1. Inductance (L) measured @ 10 KHz, 100 mV with 0 DC bias
2. Inductance (L) tolerance: J = 5%, K = 10%, M = 20%
3. Operating temperature: -55°C to 85°C
4. Inductance drops by 10%
5. Marking to include 'L' in μH
6. Dimensions: inches / mm; see spec sheet for tolerance limits
7. Specifications subject to change without notice

THROUGH-HOLE POWER INDUCTORS

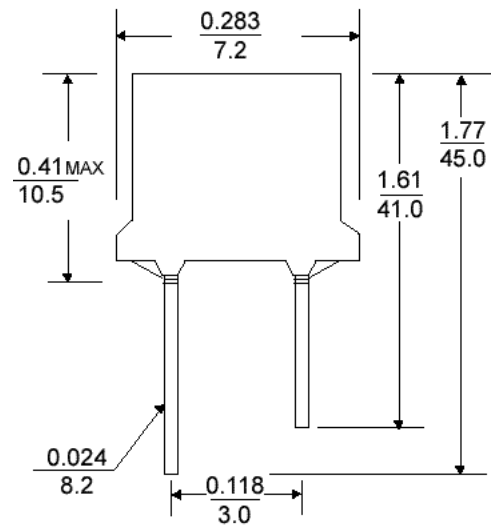
AIUR-12 SERIES



STANDARD SPECIFICATIONS

| Part Number ² | L ^{1,2} (μ H) | DCR Ω (MAX) | I _{DC} ⁴ A (MAX) | SRF (MHz) (MIN) | Q 100 KHz (MIN) |
|--------------------------|--------------------------------|--------------------------|--|-----------------------|-----------------------|
| AIUR-12-100K | 10 | 0.70 | 1.50 | 40.0 | 140 |
| AIUR-12-150K | 15 | 0.80 | 1.10 | 30.0 | 150 |
| AIUR-12-220K | 22 | 0.11 | 1.00 | 20.0 | 150 |
| AIUR-12-330K | 33 | 0.15 | 0.92 | 15.0 | 150 |
| AIUR-12-470K | 47 | 0.28 | 0.78 | 12.8 | 160 |
| AIUR-12-680K | 68 | 0.30 | 0.77 | 6.8 | 150 |
| AIUR-12-101K | 100 | 0.50 | 0.66 | 6.0 | 160 |
| AIUR-12-151K | 150 | 0.54 | 0.52 | 4.4 | 160 |
| AIUR-12-221K | 220 | 1.05 | 0.44 | 3.7 | 150 |
| AIUR-12-331K | 330 | 1.21 | 0.38 | 3.3 | 150 |
| AIUR-12-471K | 470 | 1.87 | 0.31 | 2.9 | 140 |
| AIUR-12-681K | 680 | 2.70 | 0.25 | 2.2 | 120 |
| AIUR-12-102K | 1000 | 3.80 | 0.17 | 1.8 | 150 |
| AIUR-12-152K | 1500 | 5.40 | 0.13 | 1.7 | 160 |
| AIUR-12-222K | 2200 | 11.00 | 0.11 | 1.4 | 150 |
| AIUR-12-472K | 4700 | 18.00 | 0.07 | 0.6 | 120 |

PHYSICAL CHARACTERISTICS⁶



NOTES:

1. Inductance (L) measured @ 100 KHz, 100 mV with 0 DC bias
2. Inductance (L) tolerance: J = 5%, K = 10%, M = 20%
3. Operating temperature: -55°C to 85°C
4. Inductance drops by 10%
5. Marking to include 'L' in μ H
6. Dimensions: inches / mm; see spec sheet for tolerance limits
7. Specifications subject to change without notice

ABRACON IS
ISO 9001 / QS 9000
CERTIFIED

29 Journey • Aliso Viejo, CA 92656 • USA
(949) 448-7070 • Fax: (949) 448-8484

E-MAIL: abinfo@abracon.com • INTERNET ADDRESS: www.abracon.com

