

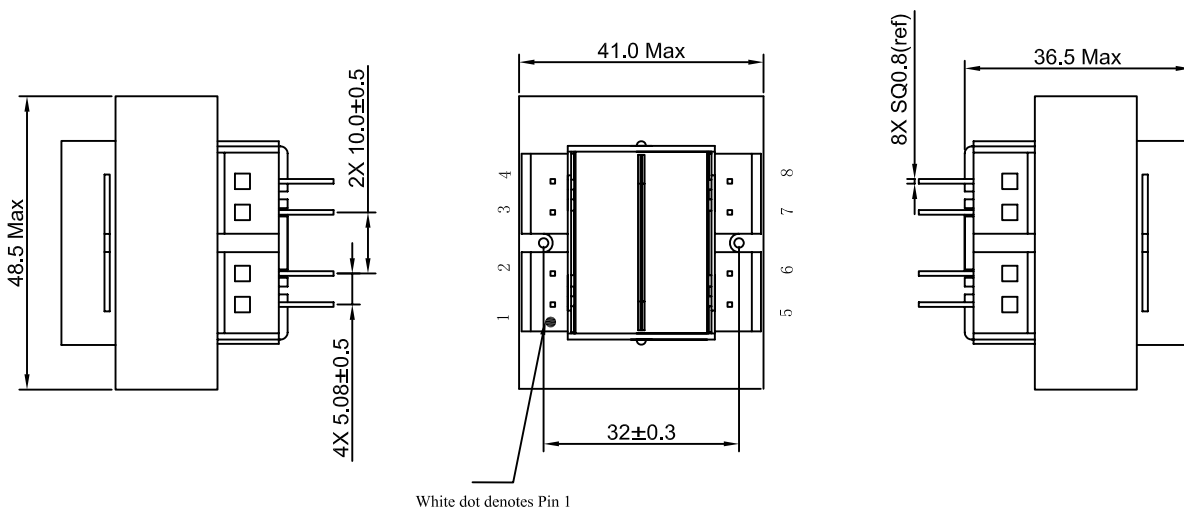
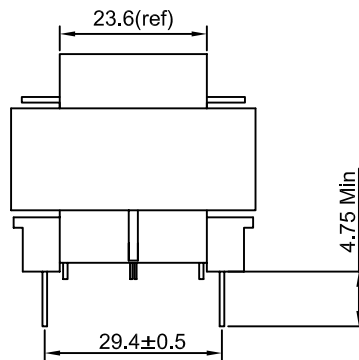
TRANSFORMER, POWER, PCB 10VA
DUAL PRIMARIES AND DUAL SECONDARIES

PAGE REV	DESCRIPTION	DATE	BY
A0	CREATED	2002-08-23	ZHENG
B0	Updated PCD	2012-09-14	ye
B1	Updated PCD	2014-01-21	ye

1. ELECTRICAL SPECIFICATIONS:

- A. Input Voltage and Frequency: 115/230V @ 50/60 Hz
- B. Secondary Voltage: See Electrical Table
- C. Temperature Rise: 95° C MAX allowed.
- D. Insulation Resistance:
 - 100M Ohm Min @ 500VDC PRI to SEC.PRI to CORE
 - 100M Ohm Min @ 500VDC SEC to CORE
- E. Hi-Pot: 4200Vrms 1 minute @ PRI to SEC
 4200Vrms 1 minute @ PRI to CORE
 4200Vrms 1 minute @ SEC to CORE
- F. Safety:
 - Insulation System Designation ZM130-7, Class B, UL File No.177235
 - UL5085-3, Class 2, 3, US and Canada, UL File No.E214561
 - CE Declaration of Conformity: IEC EN61558-1

2. MECHANICAL SPECIFICATIONS:



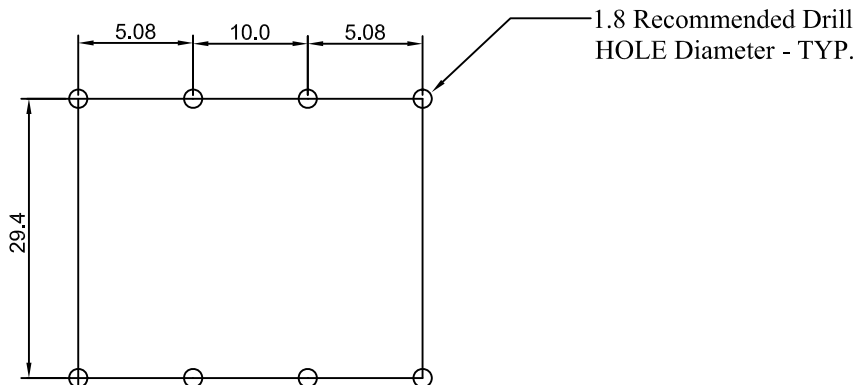
White dot denotes Pin 1

UNIT MM	TOLERANCE X.X = ±0.5 X.XX = ±0.3 ANG = -	ZETTLER MAGNETICS	
3RD ANGLE 			
SCALE:	DATA	TITLE: POWER TRANSFORMER, PCB 10 VA	
DRAWN: ye	2014-01-21	PART NO: AH1010 SERIES	ZM Project:
CHECKED:		Customers p/n:	SPEC REV: B/1
APPROVED:			SH NO 1/2

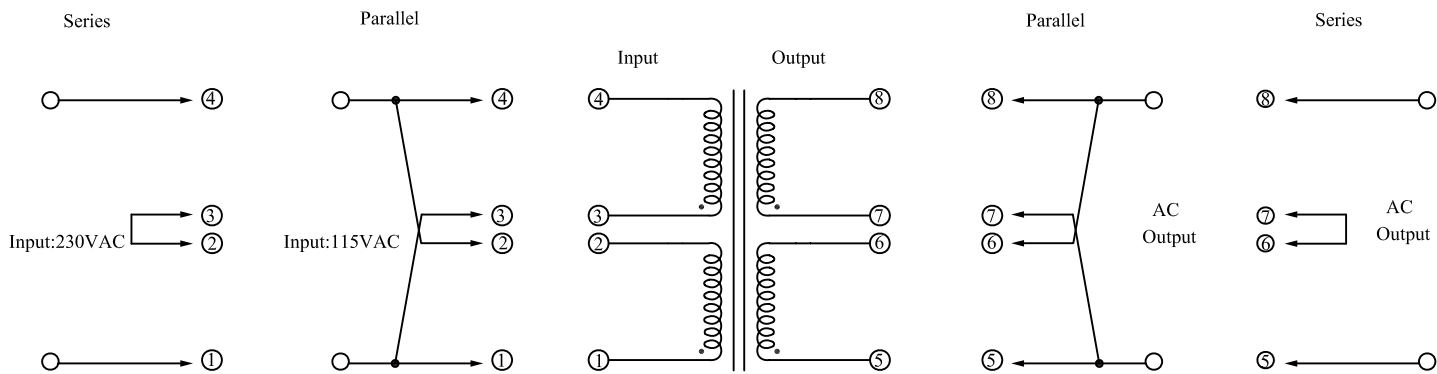
Web: www.zettlermagnetics.com
 E-mail: sales@zettlermagnetics.com

PAGE REV	DESCRIPTION	DATE	BY
A0	CREATED	2012-08-23	ZHENG
B0	Updated PCD	2012-09-14	ye
B1	Updated PCD	2014-01-21	ye

3. MOUNTING FOOTPRINT:



4. SCHEMATIC DIAGRAM:



5. ELECTRICAL TABLE:

INPUT	SERIES / PARALLEL			
	PARALLEL CONNECTION		SERIES CONNECTION	
OUTPUT	AC VOLTS	RMS AMPS	AC VOLTS	RMS AMPS
AHI01010	5V	2A	10V	1A
AHI01012	6.3V	1.6A	12.6V	1.6A
AHI01016	8V	1.2A	16V	0.6A
AHI01020	10V	1A	20V	0.5A
AHI01024	12V	0.84A	24V	0.42A
AHI01028	14V	0.72A	28V	0.36A
AHI01036	18V	0.56A	36V	0.56A

UNIT MM	TOLERANCE X.X = ±0.5 X.XX = ±0.3 ANG = -	
3RD ANGLE 		
SCALE:	DATA	
DRAWN:	ye	2014-01-21
CHECKED:		
APPROVED:		

ZETTLER MAGNETICS

TITLE: POWER TRANSFORMER, PCB 10VA

PART NO: AHI010 SERIES

ZM Project:
Customers p/n:

SPEC REV: B/1
SH NO 2/2

Web: www.zettlermagnetics.com
E-mail: sales@zettlermagnetics.com