

MICRO SWITCH

FREEPORT ILLINOIS, U.S.A
A DIVISION OF HONEYWELL

FED. MFG. CODE 91929

ACTUATOR-SWITCH

CATALOG LISTING

AHH2722R22

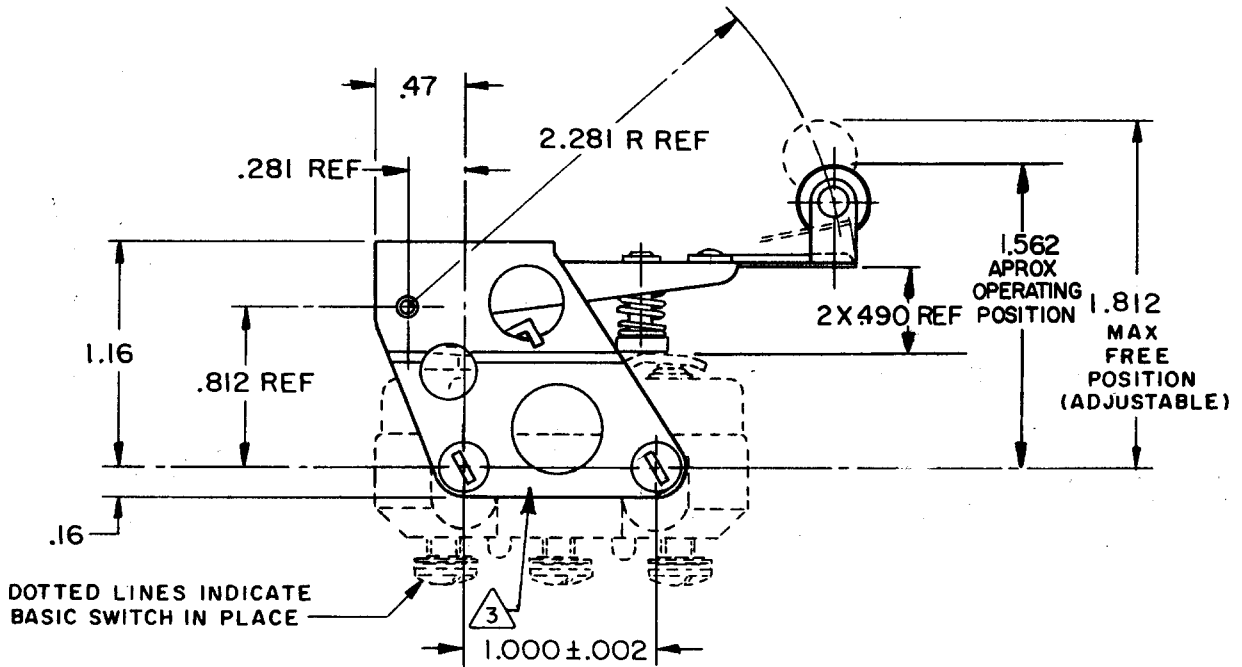
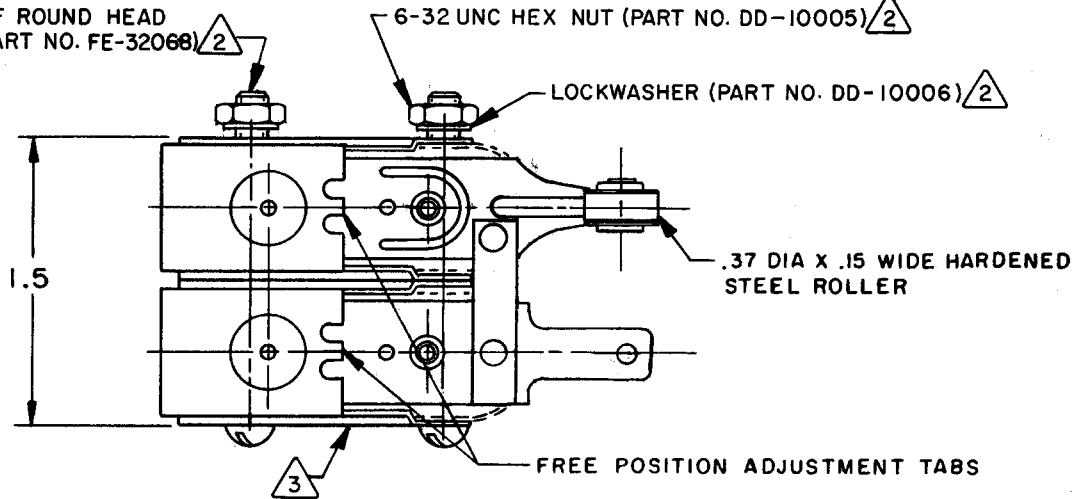
6-32 UNC 1.750 REF ROUND HEAD
MACHINE SCREW (PART NO. FE-32068) ²

6-32 UNC HEX NUT (PART NO. DD-10005) ²

LOCKWASHER (PART NO. DD-10006) ²

.37 DIA X .15 WIDE HARDENED
STEEL ROLLER

FREE POSITION ADJUSTMENT TABS



DOTTED LINES INDICATE
BASIC SWITCH IN PLACE

NOTE-

- 1 - SWITCHES DO NOT NECESSARILY OPERATE SIMULTANEOUSLY
- ² SCREWS, NUTS AND LOCKWASHERS FURNISHED UNASSEMBLED
- ³ MARKED ON THIS SIDE

THIS DRAWING COVERS A PROPRIETARY ITEM AND IS THE PROPERTY OF MICRO SWITCH, A DIVISION OF HONEYWELL. THIS DRAWING IS NOT TO BE COPIED OR USED WITHOUT THE APPROVAL OF MICRO SWITCH.

CHARACTERISTICS (WITH IHS6 BASIC SWITCHES IN PLACE)

OPERATING FORCE----- 56 OZ MAX
RELEASE FORCE----- 24 OZ MIN
DIFFERENTIAL TRAVEL----- .046 MAX
OVERTRAVEL----- .250 APPROX

ELECTRICAL DATA

CONTACT ARRANGEMENT

SCALE - FULL

DO NOT SCALE PRINT

UNLESS OTHERWISE NOTED

DIMENSIONS ARE IN INCHES

TOLERANCES ARE:

ONE PLACE (.0)	±.030
TWO PLACE (.00)	±.015
THREE PLACE (.000)	±.005
ANGLES	±

WEIGHT

AHH2722R22
 M
 DRAWING NUMBER
 X 8
 X 8
 X 8
 ISSUE
 X 8
 X 8
 X 8
 REVISIONS
 A CO 57923 TSK 19 SEPT 85
 B CO 58836 J W 27 DEC 85
 C CO 62086 S J S 20 AUG 87
 D CO 66336 T J O 5 OCT 89
 E CO 67753 J A P 4 JUN 90
 F CO 79826 DLT 11 JAN 95
 G CO 80928 DLT 28 JUN 95
 JEF 4 JUNE 80
 FO-50378-1A
 DRAWN
 CHECK
 RELEASE NO. PR-8865
 REPLACES X28356