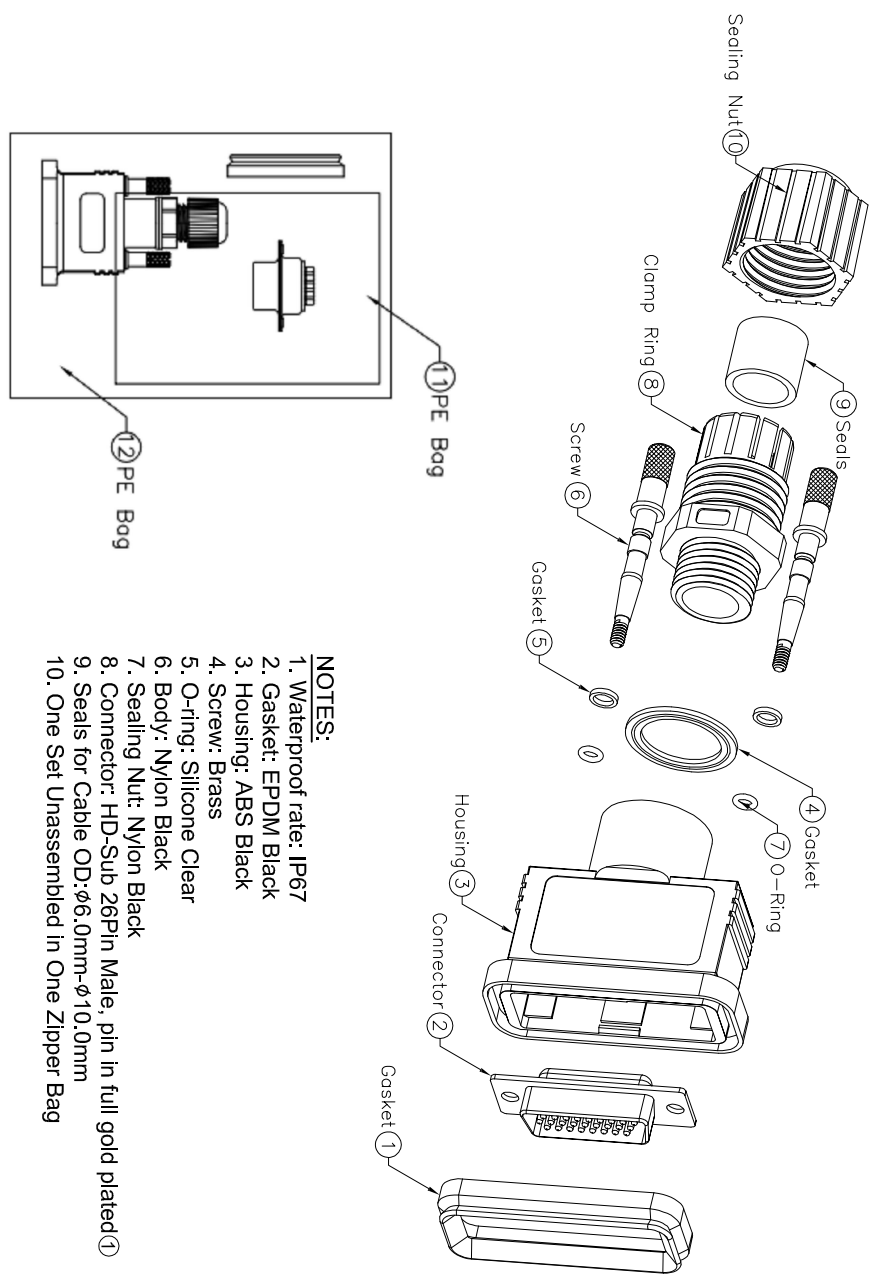
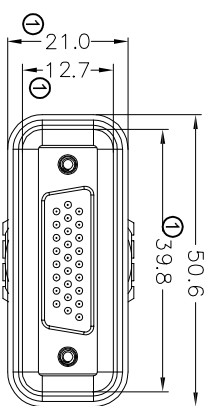
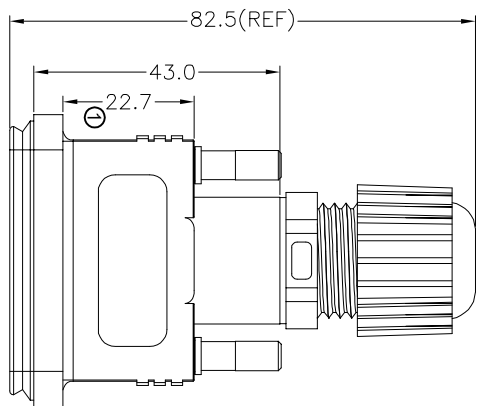


1	2	3	4	5	6	7	A
1	2	3	4	5	6	7	B
1	2	3	4	5	6	7	C
1	2	3	4	5	6	7	D
1	2	3	4	5	6	7	E
1	2	3	4	5	6	7	F
1	2	3	4	5	6	7	G
1	2	3	4	5	6	7	H



- NOTES:**
1. Waterproof rate: IP67
  2. Gasket: EPDM Black
  3. Housing: ABS Black
  4. Screw: Brass
  5. O-ring: Silicone Clear
  6. Body: Nylon Black
  7. Sealing Nut: Nylon Black
  8. Connector: HD-Sub 26Pin Male, pin in full gold plated
  9. Seals for Cable OD:  $\phi 6.0\text{mm} - \phi 10.0\text{mm}$
  10. One Set Unassembled in One Zipper Bag

**ROHS compliant**  
Unit: mm

Scale	Free						Customer-No.
TOLERANCE							ASSMANN WSW-No.
UNIT	$\pm 0.5$						A-HDS26-HOOD-WP
DIM	TOL						Drawing-No.
							ASS 6263 CO
Angle	TOL						Replace
							Sheet
Id.							
①	Cancel "A" logo&correct dimensions	03.04.2018	Amy				
②	Drawn	22.04.2014	Joanna				
	Modification						
	Date						
	Name						



rev01