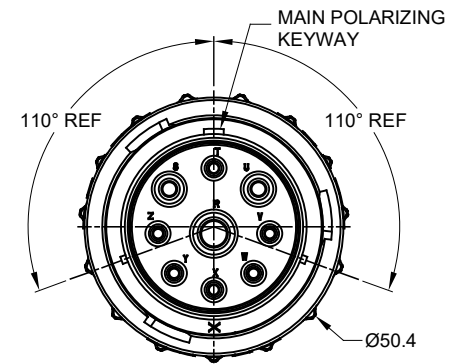
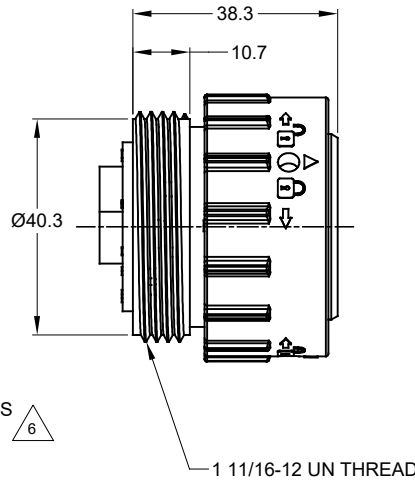
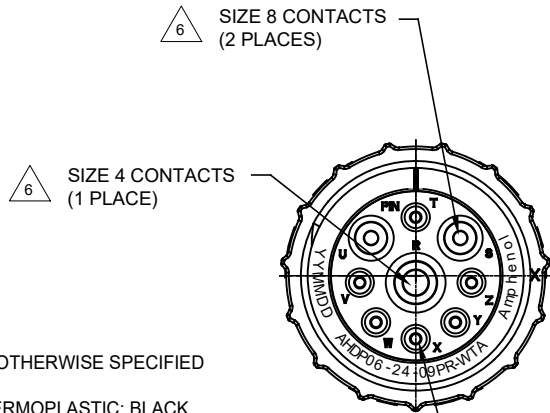


| REVISIONS | | | | | |
|-----------|--------|---|---------|--------|-------|
| REV | ECO | DESCRIPTION | DATE | BY | APPR |
| A1 | | RELEASE NEW DRAWING | 07APR17 | JONY | TOMMY |
| A2 | C0870S | Change the appearance of the retaining ring | 27JUN18 | KASOON | TOMMY |



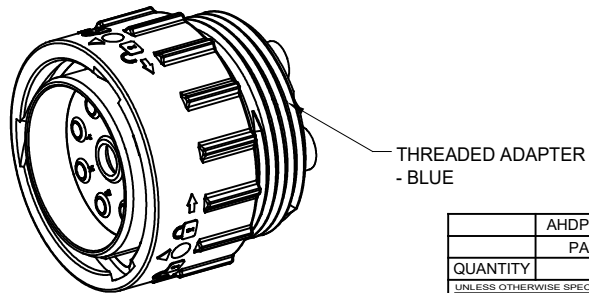
NOTES: UNLESS OTHERWISE SPECIFIED

- MATERIAL:
HOUSING: THERMOPLASTIC; BLACK
SEAL: SILICONE RUBBER
- MODIFICATIONS: THREADED ADAPTER;
REDUCED DIA. WIRE SEAL
- SPECIFICATIONS:
 - OPERATING TEMPERATURE: -55°C TO +125°C.
 - DIELECTRIC WITHSTANDING VOLTAGE: LESS THAN 2 MILLIAMPS CURRENT LEAKAGE @ 1500 VOLTS AC.
 - INSULATION RESISTANCE: 1000 MEGOHM MIN @ 25°C.
 - MOISTURE RESISTANCE: IP67&IP69K (MATED CONDITION).
 - MATING CYCLE DURABILITY: 100 CYCLES
 - RoHS COMPLIANT

- MATING PART: AHPD04-24-09S* (* = SEAL TYPE)
- ALL DIMENSIONS ARE FOR REFERENCE USE ONLY.

CONTACT SIZE AND WIRE RANGE:

| CONTACT SIZE | MIN. INSUL O.D. | MAX. INSUL O.D. | TYPICAL WIRE RANGE | CURRENT RATING |
|--------------|-------------------|-------------------|--------------------|----------------|
| 04 | 6.63 mm (.261 in) | 7.42 mm (.292 in) | 6 AWG | 100 AMPS |
| 08 | 3.43 mm (.135in) | 5.59 mm (.220 in) | 8-10 AWG | 60 AMPS |
| 12 | 2.46 mm (.097in) | 4.01 mm (.158 in) | 10-14 AWG | 25 AMPS |



| AHPD06-24-09PR-WTA | | DESCRIPTION | |
|--|-------------|---|--------------------------|
| QUANTITY | PART NUMBER | ITEM | |
| MATERIALS LIST | | | |
| UNLESS OTHERWISE SPECIFIED: 1) All dimensions are in metric (mm). 2) Tolerances are as follows: 1 PL DEC ±0.30 2 PL DEC ±0.15 3 PL DEC ±0.08 3) Note reference = | | SIGNATURES DATE DRAWN: Kason 27JUN8 CHECKED: Oton 27JUN8 ENGINEER: APPROVAL: Tommy 27JUN8 | |
| MATERIAL SPECIFICATIONS: | | Amphenol Sine Systems - www.amphenol-sine.com 44724 Morley Drive Clinton Township, MI 48036 | |
| PROCESS SPECIFICATIONS: | | PLUG,24-09 POS, PIN CONTACT REDUCED DIA. SEAL, AHDP SERIES | |
| NEXT ASSY: | | SIZE: B C- | TYPE: AHDP06-24-09PR-WTA |
| | | SCALE: NONE | REVISION: A2 |
| | | SHEET 1 OF 1 | |

TITLE: PLUG,24-09 POS, PIN CONTACT REDUCED DIA. SEAL, AHDP DWG NO: AHPD06-24-09PR-WTA REV: A2 SH: 1 OF: 1