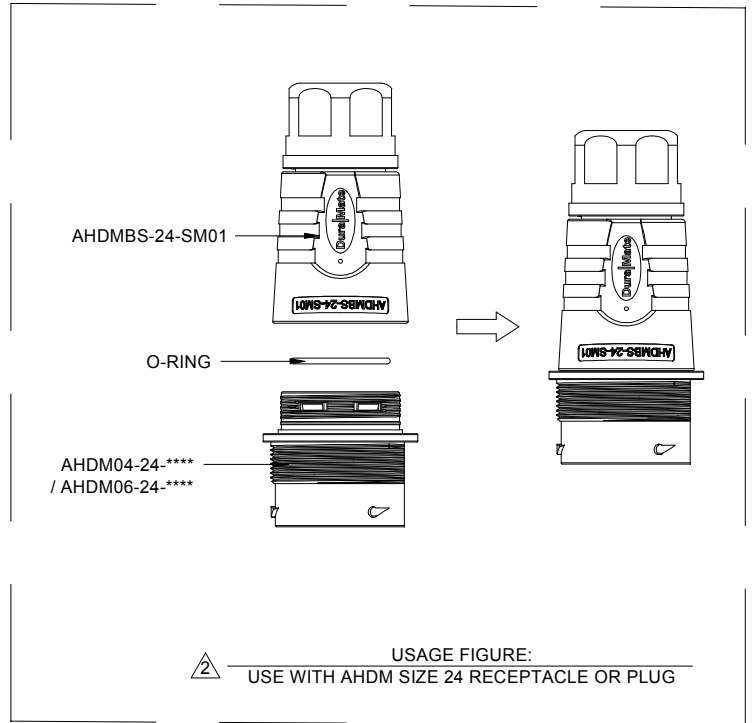


NOTES: UNLESS OTHERWISE SPECIFIED

1. MATERIAL:  
SHELL: ALUMINIUM ALLOY, NICKEL PLATED;  
NUT AND CLAMP: THERMOPLASTIC.  
O-RING AND RING RUBBER: SILICONE RUBBER.
2. USAGE:  
USE WITH AHDM SERIES SIZE 24 RECEPTACLE OR PLUG (AHDM04-24-\*\*\*\* / AHDM06-24-\*\*\*\*, (\*= ALL MODIFICATION) ).
3. APPLY TO CABLE OD SIZE: Ø12.0-Ø18.0 .
4. RoHS COMPLIANT.
5. ALL DIMENSIONS ARE FOR REFERENCE USE ONLY.

REVISIONS					
REV	ECO	DESCRIPTION	DATE	BY	APPR
01	-	RELEASE NEW DRAWING	14/DEC/18	ROOKIE	TOMMY
02	-	UPDATE DRAWING	21/DEC/18	ROOKIE	TOMMY
03	-	UPDATE DRAWING	06/JUN/19	ROOKIE	TOMMY



AHDMBS-24-SM01		PART NUMBER		DESCRIPTION		ITEM
QUANTITY						
<b>MATERIALS LIST</b>						
UNLESS OTHERWISE SPECIFIED						
1) All dimensions are in metric(mm).						
2) Tolerances are as follows:						
1 PL DEC ±0.30						
2 PL DEC ±0.15						
3 PL DEC ±0.08						
3) Note reference = X						
SIGNATURES		DATE		Amphenol		
DRAWN: ROOKIE		06/JUN/19		Sine Systems - www.amphenol-sine.com		
CHECKED: ORION		08/JUN/19		44724 Morley Drive		
ENGINEER:				Clinton Township, MI 48036		
APPROVAL: TOMMY		08/JUN/19		BACKSHELL, 24 SZ, AHDM		
CUSTOMER:				REVISION		
MATERIAL SPECIFICATIONS:		THIS DRAWING IS SUPPLIED FOR INFORMATION ONLY. DESIGN FEATURES, SPECIFICATIONS AND PERFORMANCE DATA SHOWN HEREON ARE THE PROPERTY OF THE AMPHENOL CORPORATION. NO RIGHTS OF REPRODUCTION ARE IMPLIED. ALL DIMENSIONS ARE SUBJECT TO NORMAL MANUFACTURING VARIATIONS.		SIZE		TYPE
PROCESS SPECIFICATIONS:				B C-		DWG NO:
NEXT ASSY:				NONE		AHDMBS-24-SM01
						03
				SCALE:		SHEET 1 OF 1

TITLE: BACKSHELL, 24 SZ, AHDM  
DWG NO.: AHDMBS-24-SM01  
REV: 03  
SH: 1  
OF: 1