

RoHS Compliant

Illuminated Pushbutton - 19mm

**Specifications**

Electrical Ratings	1A @ 24VDC 1A @ 125VAC 0.5A @ 250VAC
Sealing Degree	IP67
Electrical Life	50,000 cycles typical
Contact Resistance	≤ 50mΩ initial

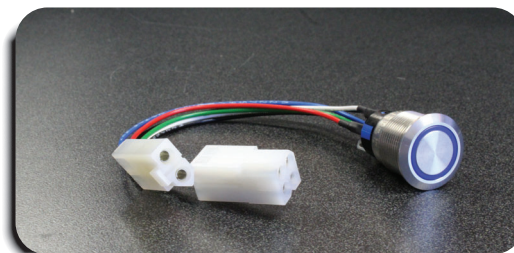
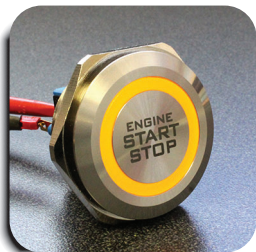
Actuation Force	550 ±50gF
Actuation Travel	2.5 ± .3mm
Dielectric Strength	2000Vrms min contact to contact 2000Vrms min contact to LED
Insulation Resistance	≥ 100MΩ min
Operating Temperature	-25°C to 70°C
Storage Temperature	-25°C to 70°C

**Materials**

Actuator	Stainless Steel or Anodized Aluminum
LED Lens	Polycarbonate (PC)
Threaded Body	Stainless Steel or Anodized Aluminum
Terminal Support	Polybutylene Terephthalate (PBT)
Inner Switch Body	Polycarbonate (PC)
Contacts	Gold Plate over Silver
Terminals	Gold Plate over Nickel Plate over Copper Alloy
Hardware	One Hex Nut & One "O" Ring Supplied

**Contact Factory for**

- Cable Assembly
- Shine Through Symbols
- Plastic Convex Actuator
- Laser Etching



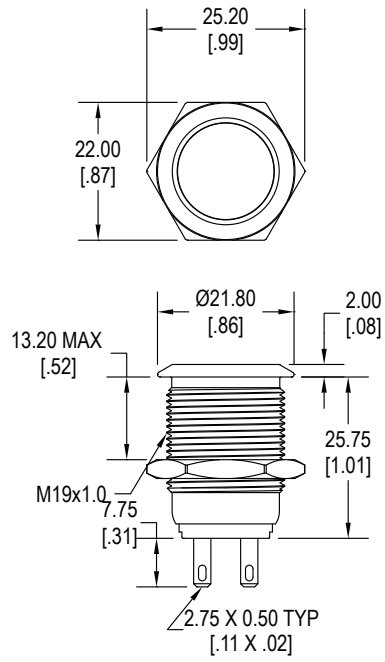
# AH

## Illuminated Pushbutton - 19mm

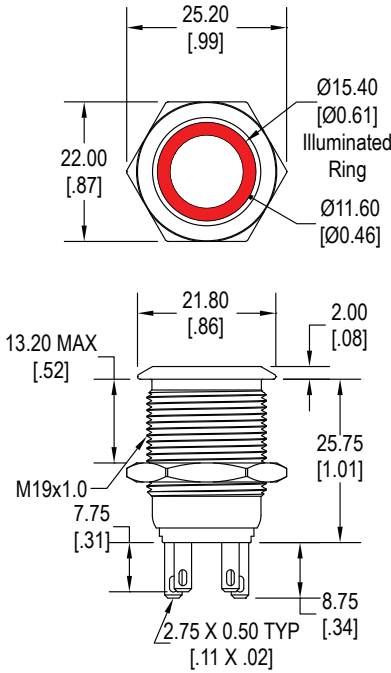
### Ordering Information

1. Series	AH	1	N	A	S	X	
2. Number of Poles	1 = SPST NO +SPST NC						
3. Latching Option	N = Momentary L = Latching						
4. Actuator Style:	A = Flush actuator, non-illuminated B = Flush actuator, ring illuminated C = Flush actuator, dot illuminated G = Flush actuator, int'l standby symbol & ring illuminated* *contact factory for G, R, U or Y finish options MR = Mushroom actuator, red anodized aluminum EC = Epoxy Convex actuator, contact factory for details						
5. Switch Finish	S = Stainless Steel B = Black Anodized Aluminum G = Green Anodized Aluminum R = Red Anodized Aluminum U = Blue Anodized Aluminum Y = Yellow Anodized Aluminum						
6. LED Color	X = No LED R = Red Y = Yellow G = Green B = Blue W = White O = Orange RO = Red / Orange dual LED RY = Red / Yellow dual LED RG = Red / Green dual LED RB = Red / Blue dual LED OY = Orange / Yellow dual LED OG = Orange / Green dual LED OB = Orange / Blue dual LED YG = Yellow / Green dual LED YB = Yellow / Blue dual LED GB = Green / blue dual LED * Contact Factory for other LED options						
7. LED Voltage	Blank = No LED 6 = 6VDC 12 = 12VDC 24 = 24VDC 110 = 110VAC 220 = 220VAC N = No internal resistor in series with the LED						
8. Terminal Option	Blank = .100" Quick Connect, standard T = Screw Terminals						

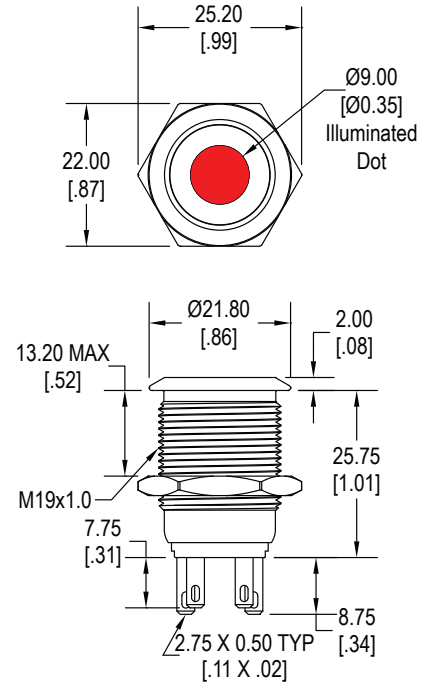
**Dimensions**



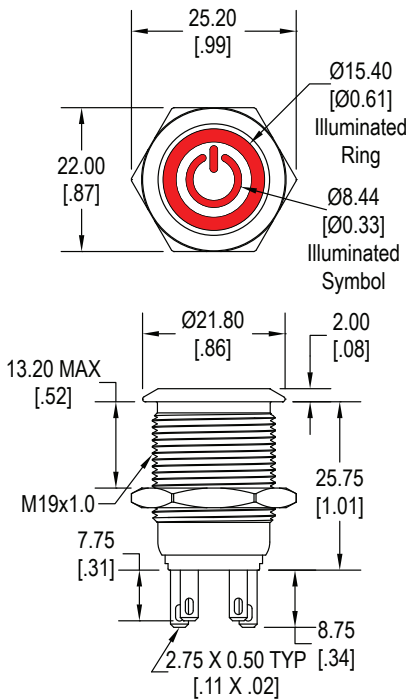
**A - Momentary**



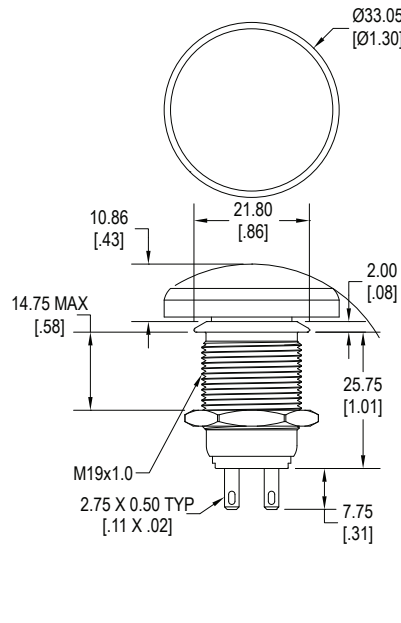
**B - Momentary**



**C - Momentary**



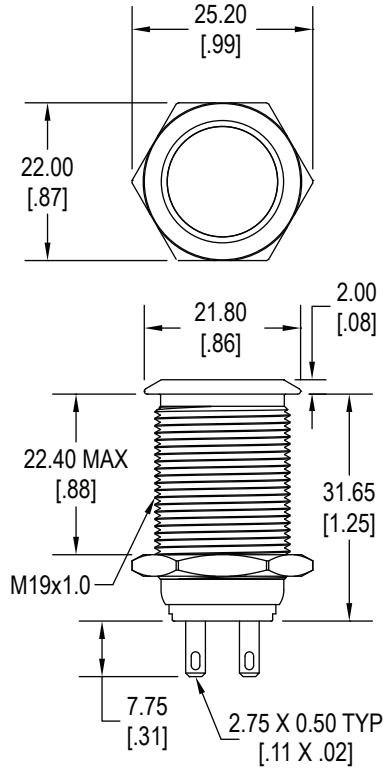
**G - Momentary**



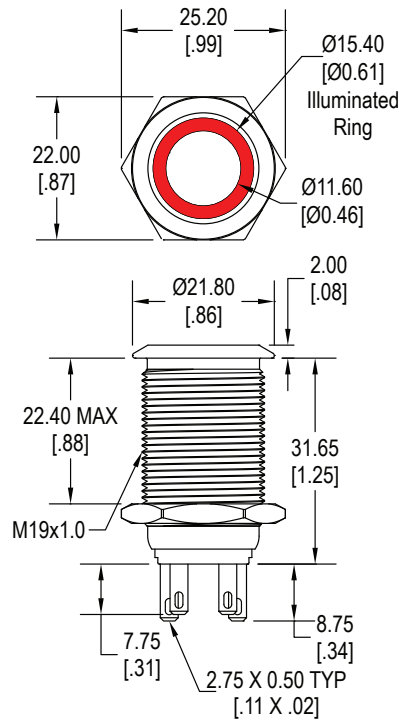
**MR**

## Illuminated Pushbutton - 19mm

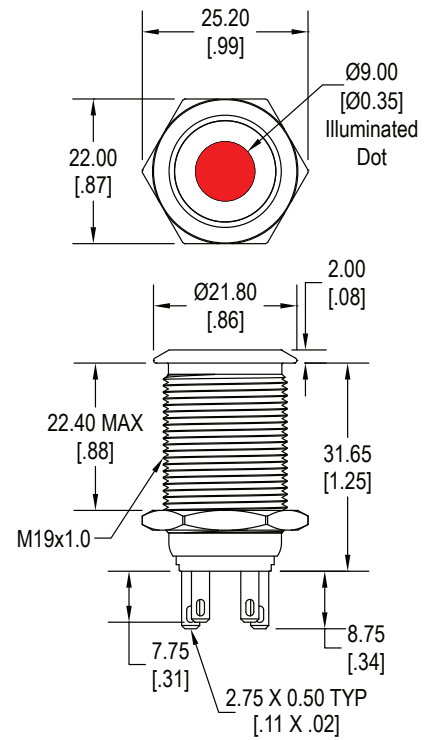
### Dimensions



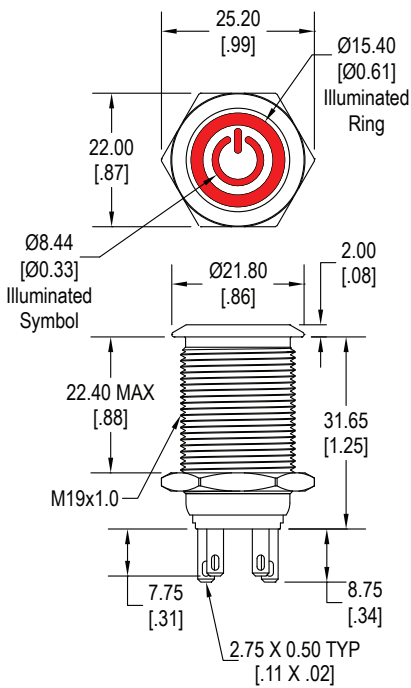
**A - Latching**



**B - Latching**

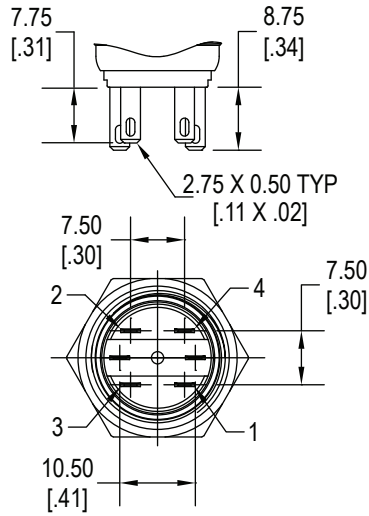


**C - Latching**

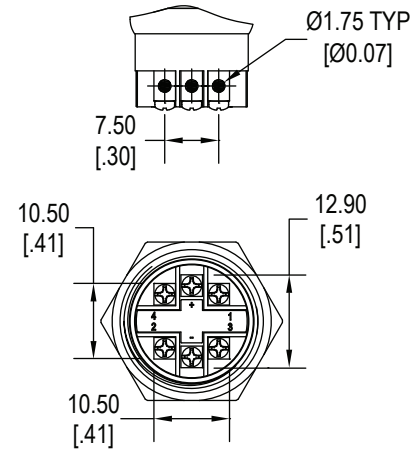


**G - Latching**

**Termination**

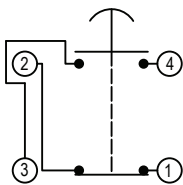


**.100" Quick Connect, standard**

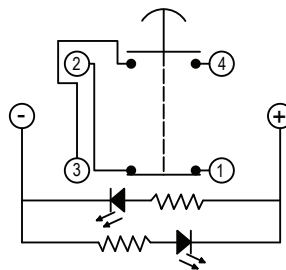


**Screw Terminals**

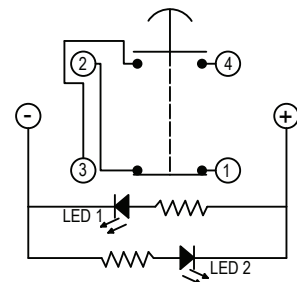
**Schematics**



**SPST NO + SPST NC  
No LED**



**SPST NO + SPST NC  
Single Color LED**

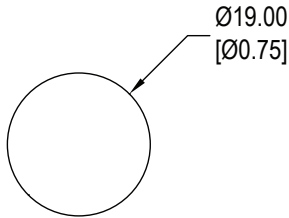


**SPST NO + SPST NC  
Dual Color LED**

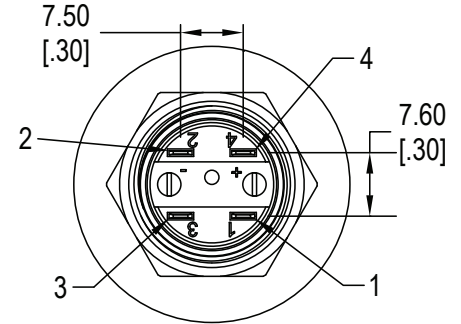
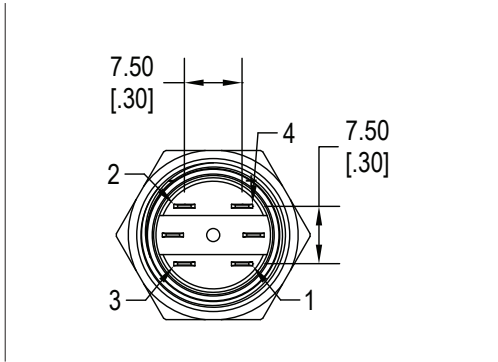
# AH

## Illuminated Pushbutton - 19mm

### Panel Cut-Out



### Bottom Views



### LED Characteristics

LED Ratings		Color							Units
		R	Y	G	B	O	W		
Reverse Voltage	$V_R$	5	5	5	5	5	5	V	
Forward Current (avg)	$I_F$	25	25	30	30	25	30	mA	
Forward Current (peak)	$I_{FS}$	120	120	160	160	120	160	mA	
Reverse Current $V_R = 5V$	$I_R$	10	10	10	10	10	10	$\mu A$	
Power Dissipation	$P_T$	80	80	120	120	80	120	mW	
Operating & Storage Temperature	$T_A$	-40 ~ +85						C°	
Forward Voltage (typ) $I_F = 20mA$	$V_F$	2.1	2.1	3.3	3.3	2.0	3.0	V	
Forward Voltage (max) $I_F = 20mA$	$V_F$	2.4	2.5	3.6	3.6	2.3	3.6	V	
Wavelength at Peak Emission $I_F = 20mA$	$\lambda_P$	635	592	516	463	606	n/a	nm	
Spectral Line Half-Width $I_F = 20mA$	$\Delta\lambda$	14	12	28	20	12	n/a	nm	
Luminous Intensity, $I_F = 20mA$	LI	120	120	170	100	120	700	mcd	
Viewing Angle	$\Theta$	145	145	145	145	145	145	deg	