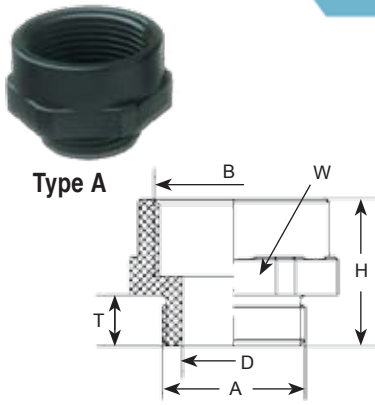


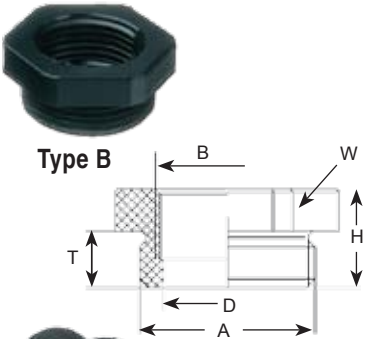
Accessories - Thread Adapters - Nylon/Polypropylene (Hex & Round) - PG/NPT/Metric Threads



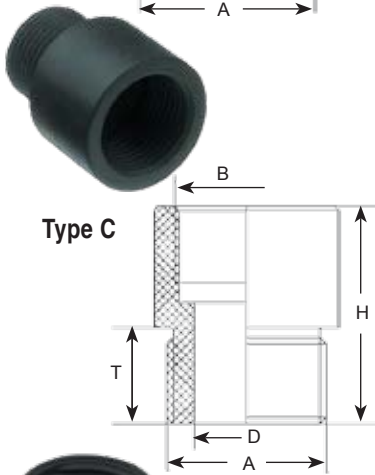
Operating Temperature (Metric to PG & PG to Metric Nylon Adapters): -4°F to 176 °F (-20°C to 80 °C)



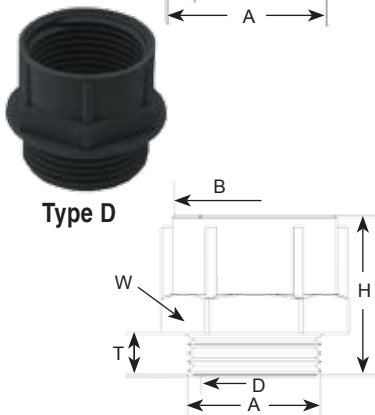
Type A



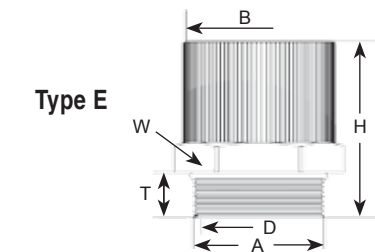
Type B



Type C



Type D



Type E

Black Nylon/Polypropylene* - Thread Adapters: Metric to PG Threads

Part Numbers	Threads		Adapter Type	Dimensions in Inches (mm)			
	Male Thread A	Female Thread B		T Thread Length	H Height	D Inner Diameter	W Wrench Flat
AF-1207-BK	M12 x 1.5	PG 7	A	.31 (8)	.79 (20)	.26 (6.5)	.67 (17)
AF-1609-BK	M16 x 1.5	PG 9	C*	.59 (15)	1.34 (34)	.33 (8.5)	N/A
AF-2013-BK	M20 x 1.5	PG 13	A	.31 (8)	.83 (21)	.55 (14)	.98 (25)
AF-2513-BK	M25 x 1.5	PG 13 / 13.5	B	.31 (8)	.55 (14)	.71 (18)	1.14 (29)
AF-2516-BK	M25 x 1.5	PG 16	A	.31 (8)	.87 (22)	.71 (18)	1.14 (29)
AF-3221-BK	M32 x 1.5	PG 21	A	.39 (10)	.98 (25)	.98 (25)	1.43 (36)
AF-4029-BK	M40 x 1.5	PG 29	A	.39 (10)	.98 (25)	1.30 (33)	1.77 (45)
AF-5036-BK	M50 x 1.5	PG 36	A	.47 (12)	1.14 (29)	1.69 (43)	2.17 (55)
AF-6342-BK	M63 x 1.5	PG 42	C	.59 (15)	.79 (20)	2.05 (52)	N/A
AF-6348-BK	M63 x 1.5	PG 48	C*	.59 (15)	1.38 (35)	2.01 (51)	N/A

*Note: Starred parts are Polypropylene.

Black Nylon/Polypropylene* - Thread Adapters: PG to Metric Threads

Part Numbers	Threads		Adapter Type	Dimensions in Inches (mm)			
	Male Thread A	Female Thread B		T Thread Length	H Height	D Inner Diameter	W Wrench Flat
AP-0712-BK	PG 7	M12 x 1.5	C*	.59 (15)	1.34 (34)	.24 (6)	N/A
AP-0912-BK	PG 9	M12 x 1.5	C	.59 (15)	1.34 (34)	.33 (8.5)	N/A
AP-0916-BK	PG 9	M16 x 1.5	A	.31 (8)	.79 (20)	.35 (9)	.83 (21)
AP-1116-BK	PG 11	M16 x 1.5	C	.59 (15)	1.34 (34)	.45 (11.5)	N/A
AP-1120-BK	PG 11	M20 x 1.5	C*	.59 (15)	1.34 (34)	.45 (11.5)	N/A
AP-1316-BK	PG 13 / 13.5	M16 x 1.5	B	.31 (8)	.55 (14)	.55 (14)	.98 (25)
AP-1320-BK	PG 13	M20 x 1.5	A	.31 (8)	.83 (21)	.55 (14)	.98 (25)
AP-1620-BK	PG 16	M20 x 1.5	A	.31 (8)	.83 (21)	.63 (16)	1.06 (27)
AP-1625-BK	PG 16	M25 x 1.5	A	.31 (8)	.91 (23)	.63 (16)	1.18 (30)
AP-2125-BK	PG 21	M25 x 1.5	C	.59 (15)	1.34 (34)	.81 (20.5)	N/A
AP-2132-BK	PG 21	M32 x 1.5	A	.31 (8)	.91 (23)	.83 (21)	1.46 (37)
AP-2932-BK	PG 29	M32 x 1.5	C	.59 (15)	1.34 (34)	1.10 (28)	N/A
AP-2940-BK	PG 29	M40 x 1.5	A	.39 (10)	1.06 (27)	1.18 (30)	1.77 (45)
AP-3640-BK	PG 36	M40 x 1.5	C	.59 (15)	.79 (20)	1.50 (38)	N/A
AP-3650-BK	PG 36	M50 x 1.5	C*	.59 (15)	1.36 (34.5)	1.46 (37)	N/A
AP-4240-BK	PG 42	M40 x 1.5	C	.59 (15)	.79 (20)	1.50 (38)	N/A
AP-4250-BK	PG 42	M50 x 1.5	C*	.59 (15)	1.36 (34.5)	1.69 (43)	N/A
AP-4850-BK	PG 48	M50 x 1.5	C	.59 (15)	.79 (20)	1.50 (38)	N/A
AP-4863-BK	PG 48	M63 x 1.5	C*	.59 (15)	1.38 (35)	1.89 (48)	N/A

Note: C is Polypropylene.

Black Nylon - Thread Adapters: PG to NPT Threads

Part Numbers	Threads		Adapter Type	Dimensions in Inches (mm)			
	Male Thread A	Female Thread B		T Thread Length	H Height	D Inner Diameter	W Wrench Flat
AG-1112-BK	PG 11	1/2" NPT	D	.28 (7)	.83 (21)	N/A	.94 (24)
AG-1312-BK	PG 13 / 13.5	1/2" NPT	D	.35 (9)	.91 (23)	N/A	.94 (24)

Black Nylon - Thread Adapters: Metric to NPT Threads

Part Numbers	Threads		Adapter Type	Dimensions in Inches (mm)			
	Male Thread A	Female Thread B		T Thread Length	H Height	D Inner Diameter	W Wrench Flat
AM-1612-BK	M16 x 1.5	1/2" NPT	E	.28 (7)	1.10 (28)	N/A	1.02 (26)
AM-2012-BK	M20 x 1.5	1/2" NPT	E	.28 (7)	1.06 (27)	N/A	1.02 (26)

See page 49 for thread specifications.