

AFH, AF2H, AF3H

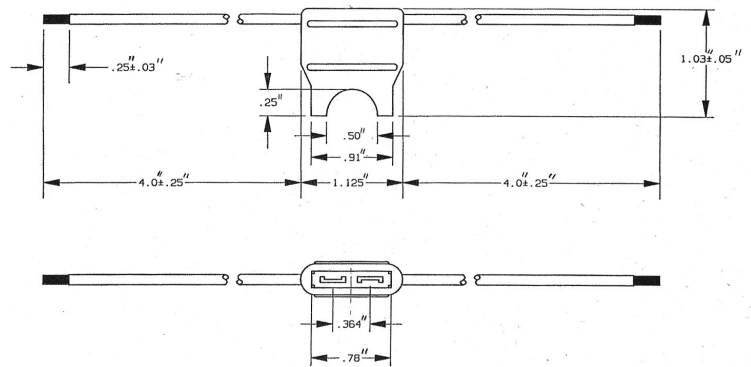
AUTOMOTIVE FUSE HOLDERS



In-line fuseholders for blade type automobile fuses. 4" stranded wire leads are stripped back 1/4".

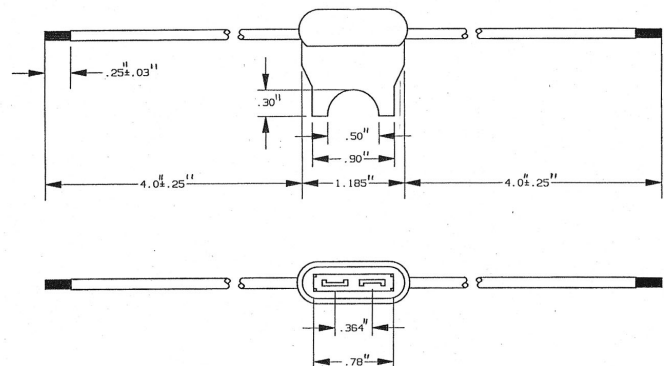
Catalog Number	Fuse Type & Max Amp.	Volts	Body Color	AWG/ Color
AFH20-14	AF Fuse/ 20A	32V	Black	#14/Black
AFH20-14Y	AF Fuse/ 20A	32V	Yellow	#14/Black
AFH20-16	AF Fuse/ 20A	32V	Yellow	#16/Black
AFH20-16S*	AF Fuse/ 20A	32V	Yellow	#16/Black
AFH20-16Y	AF Fuse/ 20A	32V	Yellow	#16/Black
AFH20-16YS*	AF Fuse/ 20A	32V	Yellow	#16/Black

* Wire lead ends are soldered



Catalog Number	Fuse Type & Max Amp.	Volts	Body Color	AWG/ Color
AFH30-12	AF Fuse/ 30A	32V	Black	#12/Yellow
AFH30-12S*	AF Fuse/ 30A	32V	Black	#12/Yellow
AFH30C	AF Fuse/ 30A	32V	Black	#12/Orange

* Wire lead ends are soldered

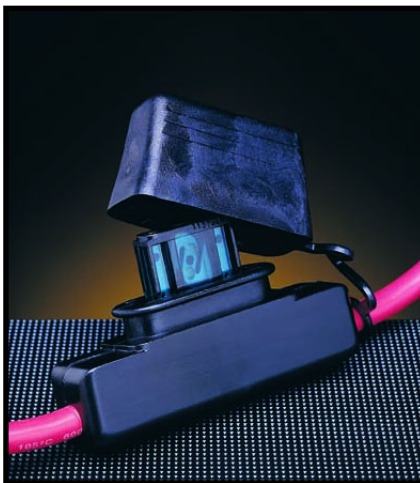
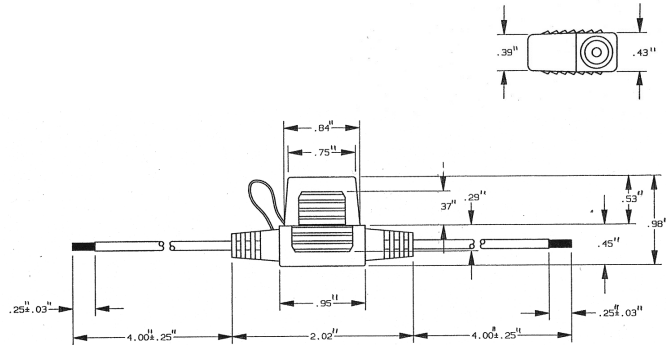


AFH, AF2H, AF3H

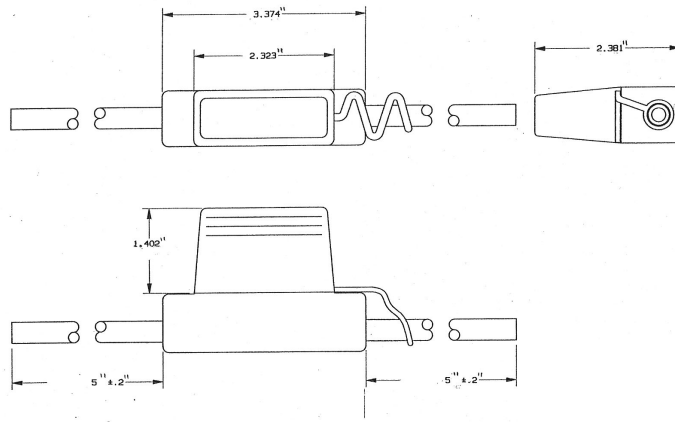
AUTOMOTIVE FUSE HOLDERS



Catalog Number	Fuse Type & Max Amp.	Volts	Body Color	AWG/ Color
AF2H30C	AF2 Fuse/ 30A	32V	Black	#12/ Orange



Catalog Number	Fuse Type & Max Amp.	Volts	Body Color	AWG/ Color
AF3H60	AF3 Fuse/ 60A	32V	Black	#6/ Red
AF3H60C	AF3 Fuse/ 60A	32V	Black	#6/ Red



North American Headquarters

Ferraz Shawmut
 374 Merrimac Street
 Newburyport, MA 01950-1998
 Phone: 978-462-6662
 Fax: 978-462-0181

Global Headquarters

Ferraz Shawmut
 1, rue Jean Novel
 F-69100 Villeurbanne
 France
 Phone: +33 (0)4 72 22 66 11
 Fax: +33 (0)4 72 22 67 13

E-mail: info@ferrazshawmut.com
ferrazshawmut.com