

Alternating Flasher AF Series Solid State Flasher



- Alternately Flashes Two High Current Loads
- High Surge Capacity -- Up to 200 A
- Small Size -- 2 x 2 x 1.30 in. (50.8 x 50.8 x 33 mm)
- Totally Solid State & Encapsulated

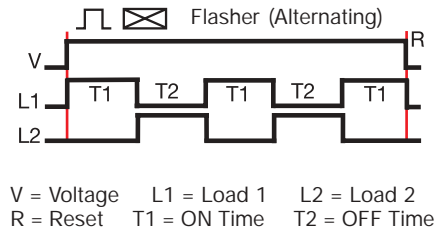
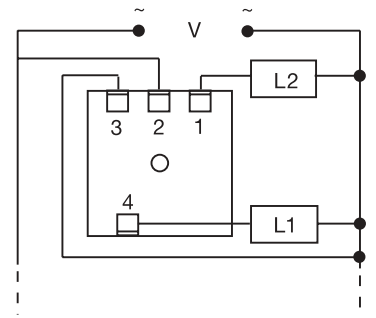
Description

The AF Series offers a high surge capacity of up to 200 A. These devices exceed mechanical type relays in both performance and lifespan. The AF Series is constructed with no moving parts to arc, wear, and eventually fail; 100 million operations are typical. Circuitry is encapsulated to provide protection against vibration and moisture, making the AF Series ideal for outdoor applications.

Operation

Upon application of input voltage T1 begins, Load 1 is ON and Load 2 is OFF. At the end of T1, T2 begins and Load 2 is now ON and Load 1 is OFF. At the end of T2, T1 repeats and this sequence continues until input voltage is removed. The duration of T1 and T2 is approximately equal.

Reset: Removing input voltage resets the flasher.



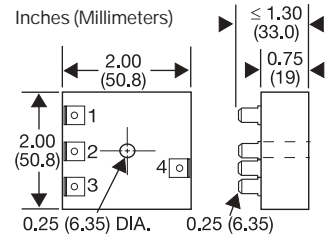
Ordering Table

AF Series	X Input	X Output Rating	X Flash Rate (flashes per min.)
	-1 - 24 V AC	-1 - 6 A	-1 - 10
	-2 - 120 V AC	-2 - 10 A	-2 - 30
	-3 - 230 V AC	-3 - 20 A	-3 - 60
			-4 - 90
			-5 - 120
			-6 - 140
			-9 - ___ Custom Flash Rate

Example P/N: **AF224** Custom Flash Rate - **AF229-45**

Technical Data

Specifications	
Operation	Alternating solid state flasher rated for continuous duty
Input Voltage	24, 120, or 230 V AC +/-15%, 50 ... 60 Hz
Flash Rate	Factory fixed at 10, 30, 60, 90, 120, or 140 flashes per min. +/-10%, Custom Flash Rate: Specify as any number between 10 & 140, inclusive
Ratio	≅ 50%
Load Type	Incandescent or resistive
Maximum Load Rating	6, 10, & 20 A steady state
Inrush	10 times steady state current
Mounting *	Surface mount with one #10 (M5 x 0.8) screw
Package	2 x 2 x 1.30 in. (50.8 x 50.8 x 33 mm)
Circuitry	Encapsulated
Operating Temperature	-20°C ... +60°C
Storage Temperature	-40°C ... +85°C
Humidity	95% relative, non-condensing
Weight	≅ 2.9 oz (82 g)



Accessories

Female quick connect
P/Ns:
P1015-13 (AWG 10/12)
P1015-64 (AWG 14/16)
P1015-14 (AWG 18/22)

Quick connect to screw adaptor
P/N: P1015-18

*Must be bolted to metal surface using the included heat sink compound. The maximum mounting surface temperature is 90°C.

See accessory pages at the end of this section.