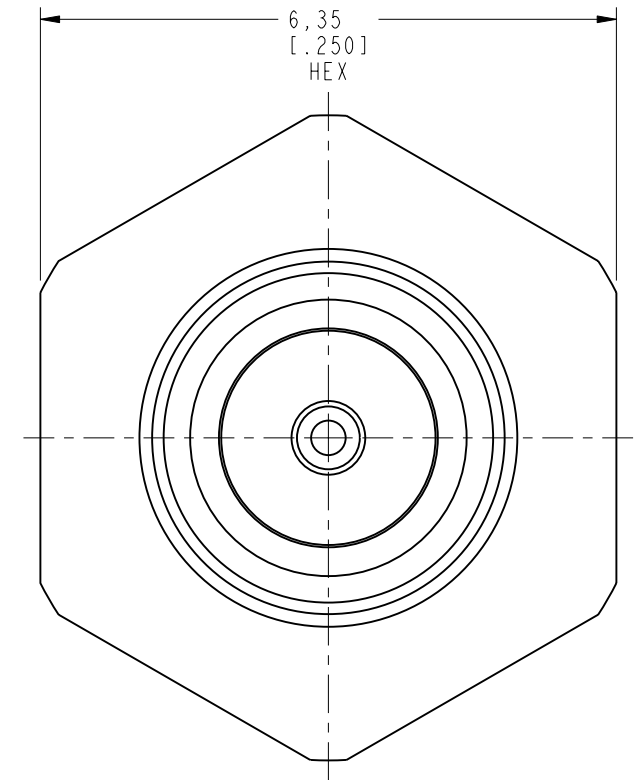
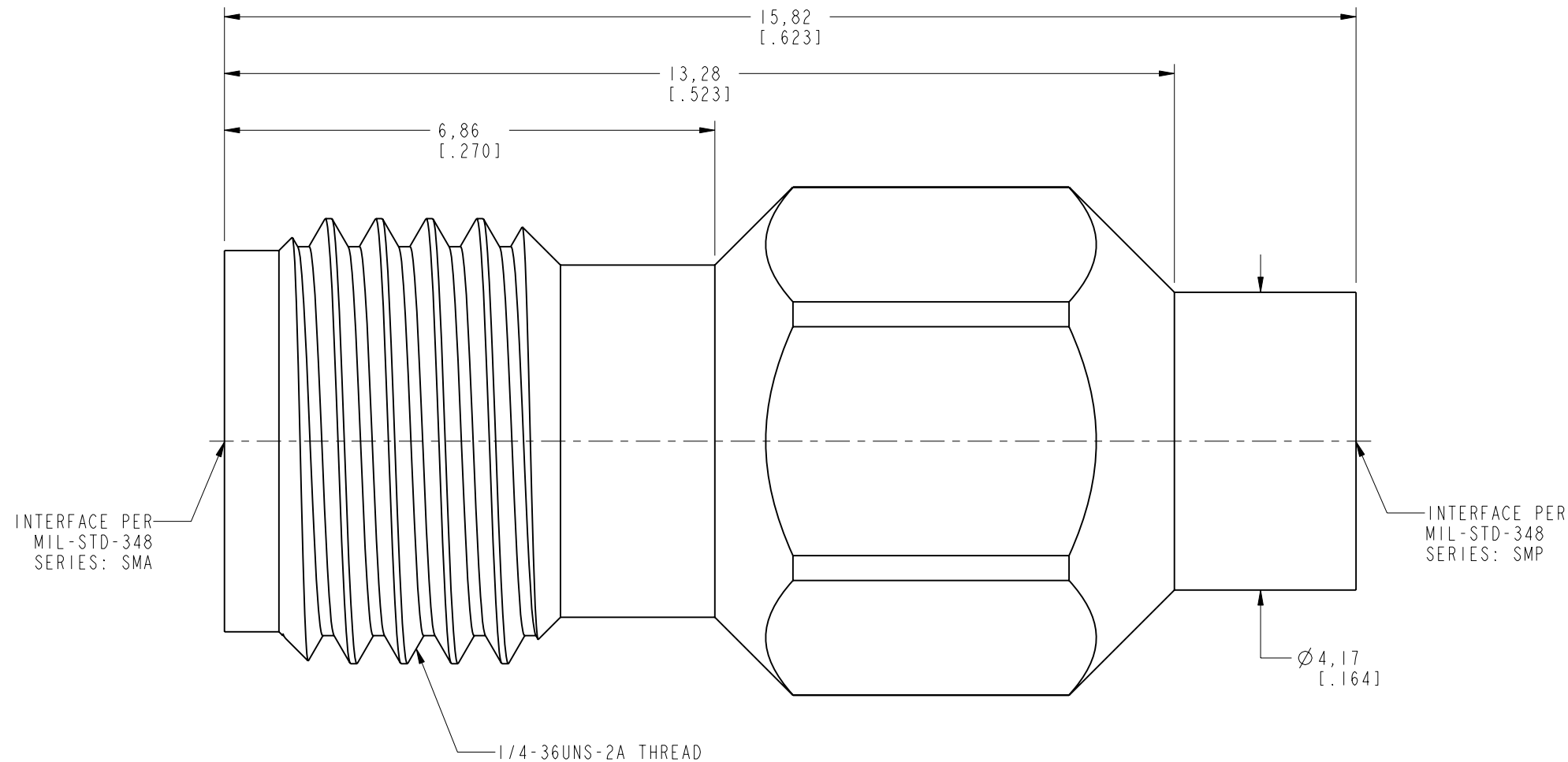
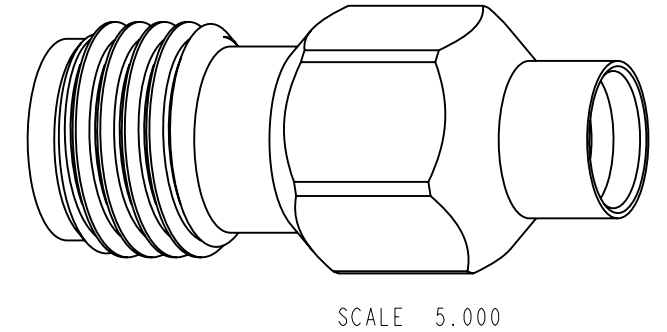


NOTES:

- MATERIALS AND FINISHES:
 BODY - STAINLESS STEEL, PASSIVATED
 CONTACT - BeCu, GOLD PLATING
 INSULATOR - PTFE
- ELECTRICAL:
 A. IMPEDANCE: 50 OHM
 B. FREQUENCY RANGE: DC - 26.5 GHz
 C. VSWR(RETURN LOSS): 32 dB MIN @ DC - 4 GHz
 22 dB MIN @ 4 - 10 GHz
 20 dB MIN @ 10 - 26.5 GHz
 D. DIELECTRIC WITHSTANDING VOLTAGE: 500 VRMS, MIN.
- MECHANICAL:
 A. DURABILITY:
 SMA SIDE: 500 CYCLES MIN.
 SMP SIDE: 500 CYCLES MIN.
 B. TEMPERATURE RANGE: -65° C TO 165° C
- PACKAGING:
 A. QUANTITY: SINGLE PACK
 B. MARKING: BAG TO BE MARKED
 "AMPHENOL, AD-SMAJSMPJ-3, AND DATE CODE"

THIRD ANGLE PROJ.

REVISIONS				
REV	DESCRIPTION	DATE	ECN	APPR
A	RELEASE TO MFG.	30-Jul-19	12484	SV



CUSTOMER OUTLINE DRAWING
 ALL OTHER SHEETS ARE FOR INTERNAL USE ONLY

UNLESS OTHERWISE SPECIFIED, DIMENSIONS ARE IN METRIC AND TOLERANCES ARE:
 <0.5mm ±0.05mm 0.5 - 6mm ±0.1mm 6 - 30mm ±0.2mm 30 - 120mm ±0.3mm ANGLES ±1°

NOTICE - These drawings, specifications, or other data (1) are, and remain the property of Amphenol corp. (2) must be returned upon request; and (3) are confidential and not to be disclosed to any person other than those to whom they are given by Amphenol Corp. the furnishing of these drawings, specifications, or other data by Amphenol Corp., or to any other person to anyone for any purpose is not to be regarded by implication or otherwise in any manner licensing, granting rights to permitting such holder or any other person to manufacture, use or sell any product, process or design, patented or otherwise, that may in any way be related to or disclosed by said drawings, specifications, or other data.

MATERIAL SEE NOTES
REFERENCE EAR# 8842 REF: 615X-1864-100 CONFIGURATION LEVEL: In Work FINISH

DRAWN S. DUAN	DATE 07-Aug-19
ENGINEER S. VO	DATE 11-Jul-19
APPROVED S. HSIEH	DATE 15-Aug-19
CAD FILE	

TITLE SMA (F) JACK TO SMP (M) JACK ADAPTER LIMITED DETENT
SCALE: 12.0:1.0 SHEET 2 OF 2
DWG SIZE B
REV A

Amphenol RF www.amphenolrf.com
DRAWING NO. AD-SMAJSMPJ-3
ITEM NO. AD-SMAJSMPJ-3
PART NO. AD-SMAJSMPJ-3