

FEATURES AND OPTIONS

- Available in 9, 15, 25, 37 and 50 positions
- Male and female versions
- Available with hardware options such as threaded inserts and hex stand-offs

SPECIFICATIONS

MATERIALS

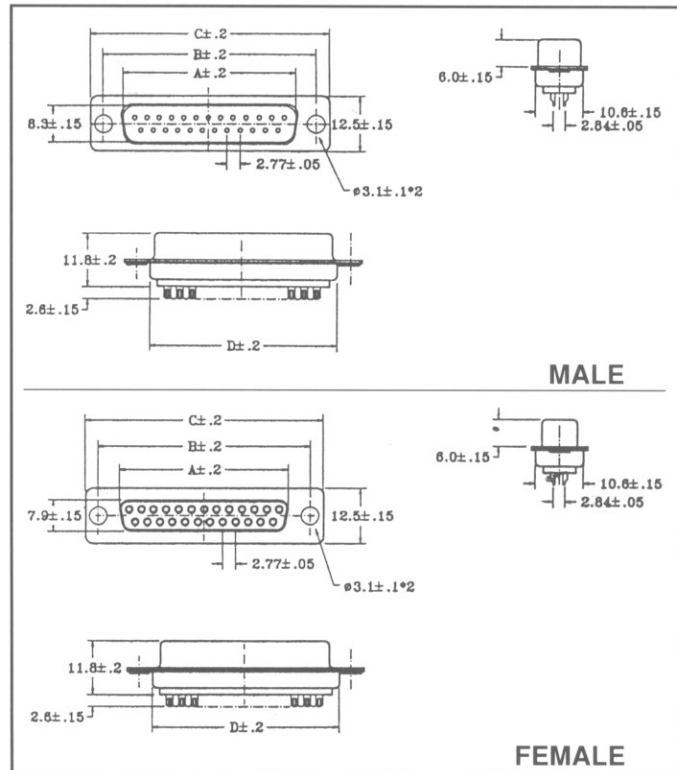
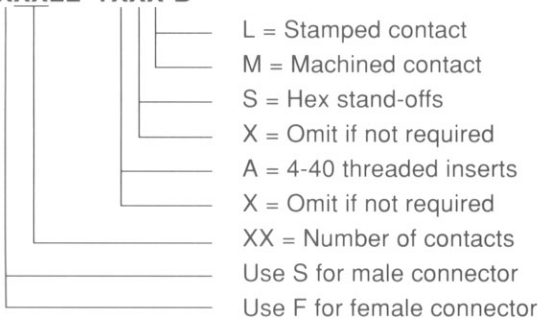
Shell: Tin plated steel
 Insulator: PBT thermo plastic, black color, 30% glass filled self-extinguishing, UL94V-0 rated
 Contact material: Pin: Brass
 Socket: Phosphor Bronze
 Contact plating: Gold over nickel

ELECTRICAL

Current rating: 5.0 Amps
 Dielectric strength: 1000Vac min.
 Insulation resistance: 5000M ohm min.
 Operating temperature range: -55°C~ to +125°C

HOW TO ORDER

A-DXXXLL-TXXX-B



DIMENSIONS

MALE

# of pins	A	B	C	D
9	16.92 .666	25.00 .984	30.80 1.21	19.20 .756
15	25.25 .994	33.30 1.31	39.20 1.54	27.70 1.09
25	38.96 1.53	47.10 1.85	53.10 2.09	41.10 1.62
37	55.42 2.18	63.50 2.50	69.40 2.73	57.30 2.26
50	52.81 2.08	61.00 2.40	67.00 2.63	55.10 2.17

FEMALE

9	16.30 .642	25.00 .984	30.80 1.21	19.20 .756
15	24.60 .969	33.30 1.31	39.20 1.54	27.70 1.09
25	38.30 1.51	47.10 1.85	53.10 2.09	41.10 1.62
37	54.80 2.16	63.50 2.50	69.40 2.73	57.30 2.26
50	52.20 2.06	61.00 2.40	67.00 2.63	55.10 2.17