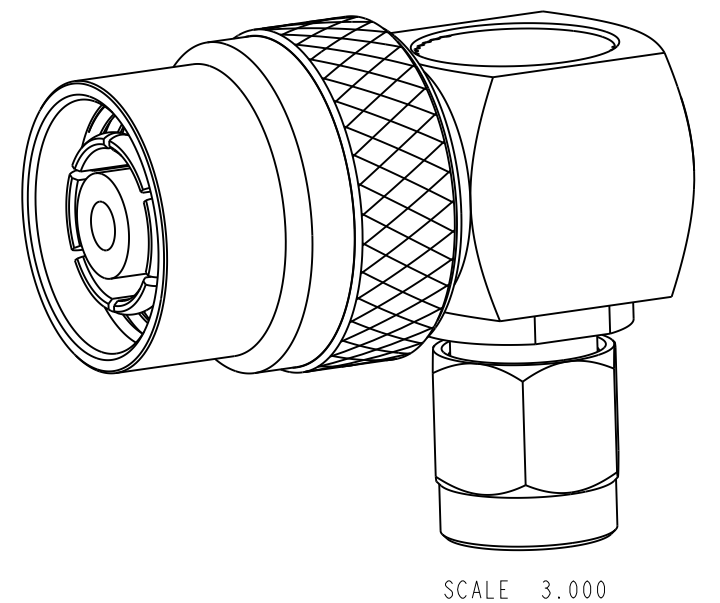
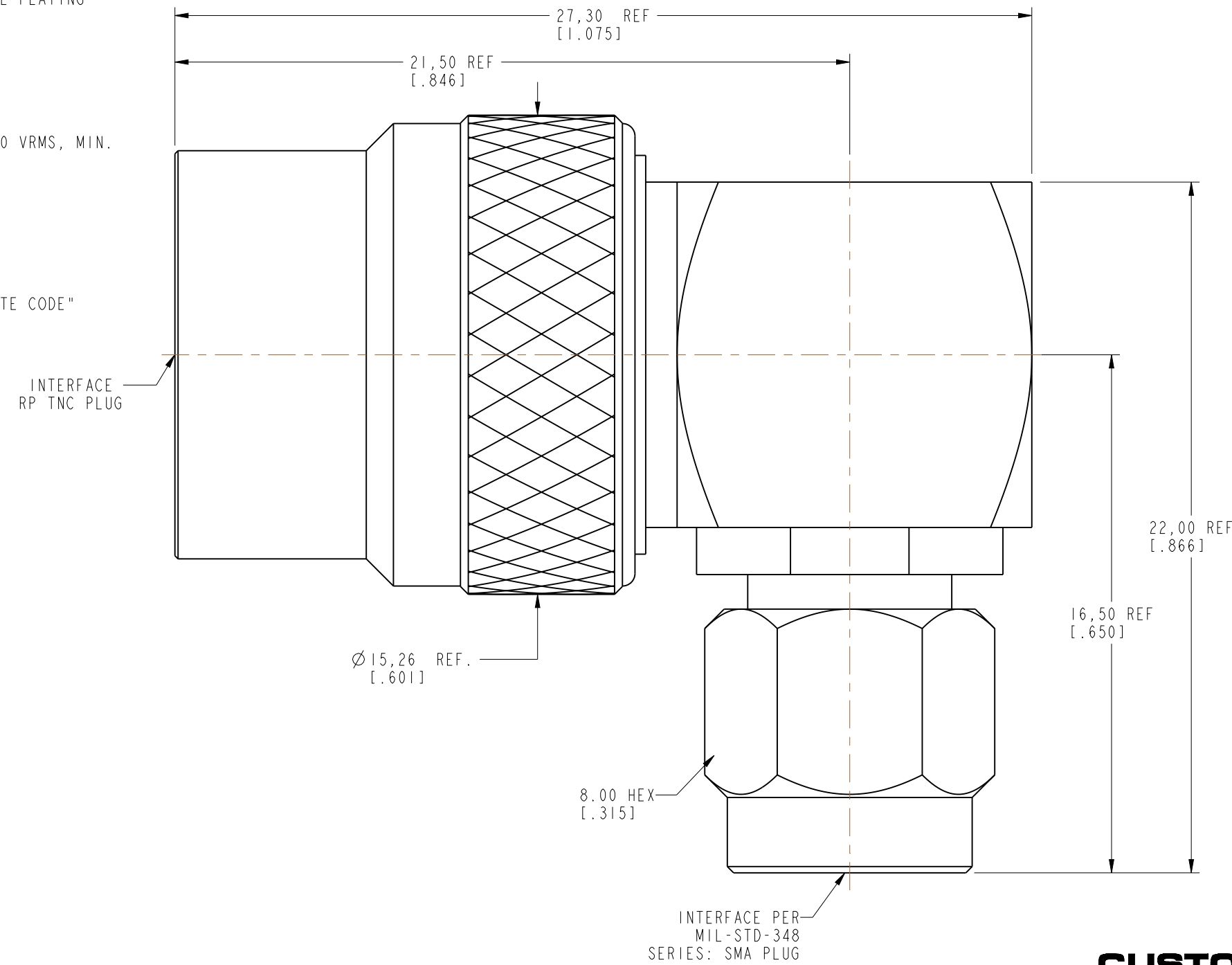


NOTES:

1. MATERIALS AND FINISHES:
 BODY-REAR, BODY, COUPLING NUT, & COVER - BRASS, NICKEL PLATING
 SMA CONTACT - BRASS, GOLD PLATING
 RP TNC CONTACT - BeCu, GOLD PLATING
 INSULATORS - PTFE, NATURAL
 RETAINING RING - STAINLESS STEEL, NATURAL
 RETAINING RING - PHOSPHOR BRONZE, NICKEL PLATING
 GASKETS - SILICONE RUBBER, RED
2. ELECTRICAL:
 A. IMPEDANCE: 50 OHM
 B. FREQUENCY RANGE: DC - 11 GHz
 C. VSWR: 1.15 (23 dB) MAX @ DC - 3 GHz
 1.22 (20 dB) MAX @ 3 - 6 GHz
 D. DIELECTRIC WITHSTANDING VOLTAGE: 1000 VRMS, MIN.
3. MECHANICAL:
 A. DURABILITY: 500 CYCLES MIN.
 B. TEMPERATURE RANGE: -65°C TO +165°C
4. PACKAGING:
 A. QUANTITY: SINGLE PACK
 B. MARKING: BAG TO BE MARKED "AMPHENOL RF, AD-RPTNCPSMAP-1 AND DATE CODE"

THIRD ANGLE PROJ.

REVISIONS				
REV	DESCRIPTION	DATE	ECN	APPR
A	RELEASE TO MFG.	12-Oct-18	09324	CJV



CUSTOMER OUTLINE DRAWING
 ALL OTHER SHEETS ARE FOR INTERNAL USE ONLY

UNLESS OTHERWISE SPECIFIED, DIMENSIONS ARE IN METRIC AND TOLERANCES ARE: <0.5mm ± 0.05mm 0.5 - 6mm ± 0.1mm 6 - 30mm ± 0.2mm 30 - 120mm ± 0.3mm ANGLES ±1°		MATERIAL SEE NOTES	DRAWN C. VIGORITO	DATE 30-Oct-18	TITLE RP TNC RA PLUG TO SMA PLUG ADAPTER	Amphenol RF www.amphenolrf.com
NOTICE - These drawings, specifications, or other data (1) are, and remain the property of Amphenol corp. (2) must be returned upon request; and (3) are confidential and not to be disclosed to any person other than those to whom they are given by Amphenol Corp. the furnishing of these drawings, specifications, or other data by Amphenol Corp., or to any other person to anyone for any purpose is not to be regarded by implication or otherwise in any manner licensing, granting rights to permitting such holder or any other person to manufacture, use or sell any product, process or design, patented or otherwise, that may in any way be related to or disclosed by said drawings, specifications, or other data.	REFERENCE EAR# 7871 REF: --	ENGINEER C. VIGORITO	DATE 30-Oct-18	SCALE: 6.0:1.0 SHEET 2 OF 2		
	CONFIGURATION LEVEL: In Work	APPROVED K. CAPOZZI	DATE 30-Oct-18		DWG SIZE B	REV A
	FINISH	CAD FILE				PART NO. AD-RPTNCPSMAP-1