

NOTES:

1. MATERIALS AND FINISHES:

BODY - BRASS, WHITE BRONZE PLATING
 CONTACT - BeCu, SILVER PLATING
 OUTER CONTACT - PHOS. BRONZE, WHITE BRONZE PLATING
 INSULATOR - PTFE, NATURAL
 RETAINING RING - SUS 304, NATURAL
 COUPLING NUT - BRASS, WHITE BRONZE PLATING

2. ELECTRICAL:

A. IMPEDANCE: 50 OHM
 B. FREQUENCY RANGE: DC-6 GHz
 C. VSWR(RETURN LOSS): 34 dB @ DC-4 GHz
 30 dB @ 4-6 GHz
 D. DIELECTRIC WITHSTANDING VOLTAGE: 2500 VRMS, MIN.
 E. INTERMODULATION 3rd ORDER: -166 dBc MAX. (2*43 dBm)

3. MECHANICAL:

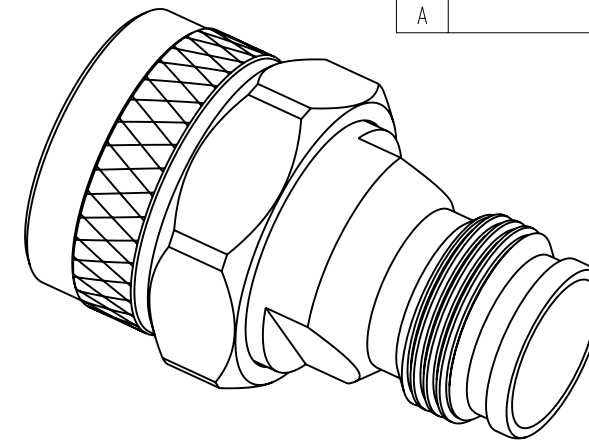
A. DURABILITY: 500 CYCLES MIN.
 B. TEMPERATURE RANGE: -55° C TO 100° C
 C. COUPLING NUT MAX. TORQUE: 15 in-Lbs

4. PACKAGING:

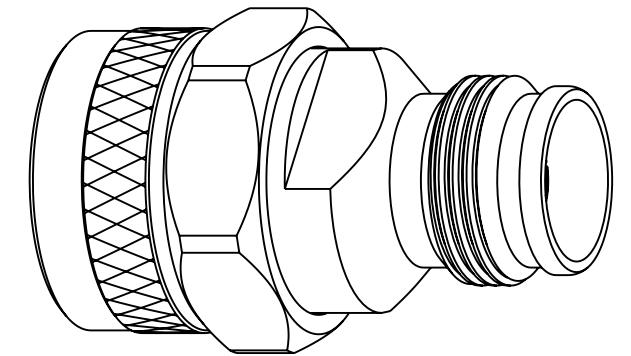
A. QUANTITY: SINGLE PACK
 B. MARKING: PACKAGING TO BE MARKED
 "AMPHENOL RF, AD-NP225J-1 & DATE CODE"

THIRD ANGLE PROJ.

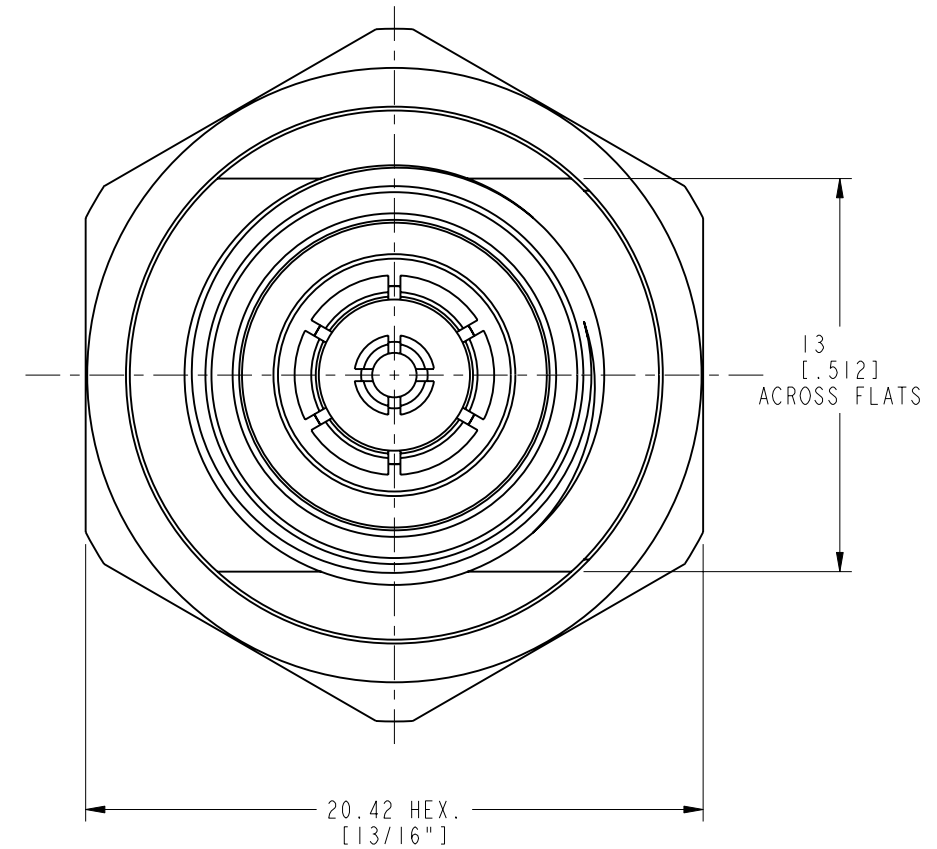
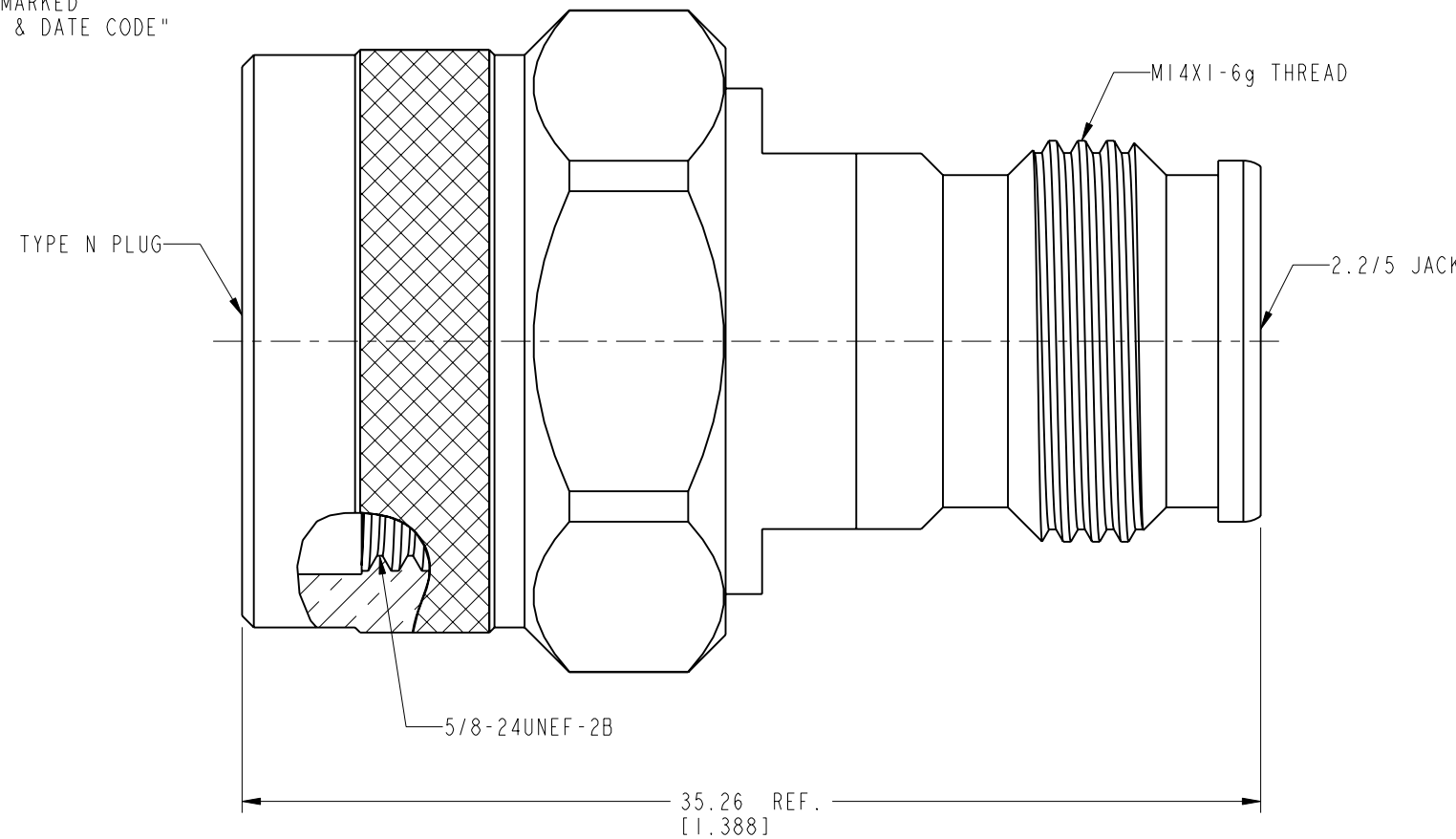
REVISIONS				
REV	DESCRIPTION	DATE	ECN	APPR
A	RELEASE TO MANUFACTURING	25-Jun-19	I1944	CJV



SCALE 2.000



SCALE 2.000



CUSTOMER OUTLINE DRAWING

ALL OTHER SHEETS ARE FOR INTERNAL USE ONLY

<p>UNLESS OTHERWISE SPECIFIED, DIMENSIONS ARE IN METRIC AND TOLERANCES ARE: <0.5mm ± 0.05mm 0.5 - 6mm ± 0.1mm 6 - 30mm ± 0.2mm 30 - 120mm ± 0.3mm ANGLES ± 1°</p> <p>NOTICE - These drawings, specifications, or other data (1) are, and remain the property of Amphenol corp. (2) must be returned upon request; and (3) are confidential and not to be disclosed to any person other than those to whom they are given by Amphenol Corp. the furnishing of these drawings, specifications, or other data by Amphenol Corp., or to any other person to anyone for any purpose is not to be regarded by implication or otherwise in any manner licensing, granting rights to permitting such holder or any other person to manufacture, use or sell any product, process or design, patented or otherwise, that may in any way be related to or disclosed by said drawings, specifications, or other data.</p>	MATERIAL SEE NOTES	DRAWN M. ZHANG	DATE 25-Jun-19	TITLE ADAPTER N PLUG TO 2.2-5 JACK		Amphenol RF www.amphenolrf.com
	REFERENCE EAR# 8730 REF: ---	ENGINEER C. VIGORITO	DATE 04-Feb-19	SCALE: 4.0:1.0 SHEET 2 OF 2		
	CONFIGURATION LEVEL: In Work FINISH	APPROVED S. HSIEH	DATE 04-Jul-19	CAD FILE	DWG SIZE B	REV A