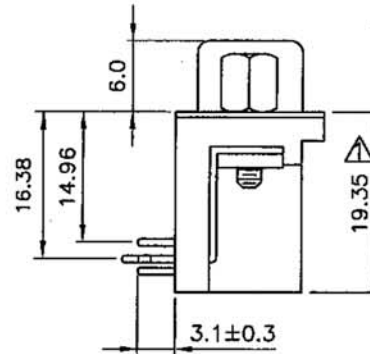
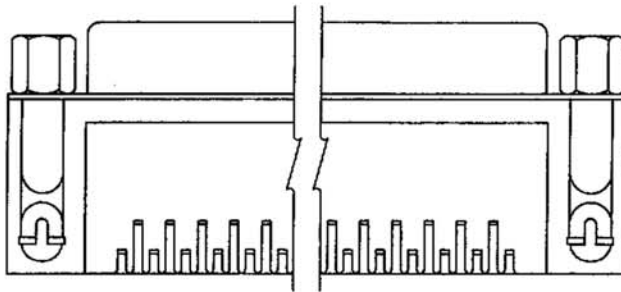


PARTS DIMENSION TABLE

parts no.	DIM. a	DIM. b	inner thread
C	4.8	11.8	4#40
E	5.8	12.0	4#40
G	4.8	11.8	M3
H	6.0	13.2	M2.6
I	5.8	11.8	M3
X	4.8	11.8	M2.6
Z	5.8	12.0	M2.6



SPECIFICATION

MATERIAL

Insulator: PBT, Rated UL94V-0 (Standard)
 Contacts: Brass (Standard) ; Phosphor Bronze (Choose)
 Shell: Steel

Rivet, Boardlock: Copper Alloy

CONTACT PLATING

Underplate: 50μ" Nickel

Contact Area: 1μ"~30μ" Selective Gold

▲ Solder Tails Area: 100μ" Tin/Lead or 100μ" Tin/Lead Free ELECTRICAL

Operation Voltage: 250 VAC Max.

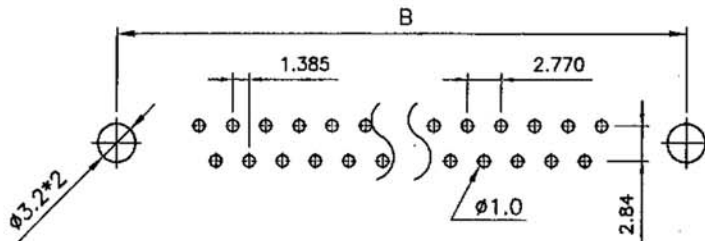
Current Rating: 3 Amps Max.

Contact Resistance: 15 mohms Max.

Insulation Resistance: 3000 Mohms Min @ 500 VDC

Dielectric Withstanding Voltage: 1000 VAC / minute

Operating Temperature: -55°C TO +105°C



RECOMMENDED P.C.B LAYOUT(TOP VIEW)

TOLERANCES: ±0.10mm

RoHS
Compliant

ITEM NO

ADF-XX-A-KG-TASB5-R

TITLE

D-SUB PCB RIGHT ANGLE FEMALE

ASSMANN
Electronics, Inc.

1840 W. Drake Drive, Suite 101 - Tempe, AZ 85283

Toll Free: 1-877-277-6266 Email: info@usa-assmann.com

THIS DRAWING IS UNPUBLISHED

© Copyright 2008 by Assmann Electronic Components
 All International Rights Reserved