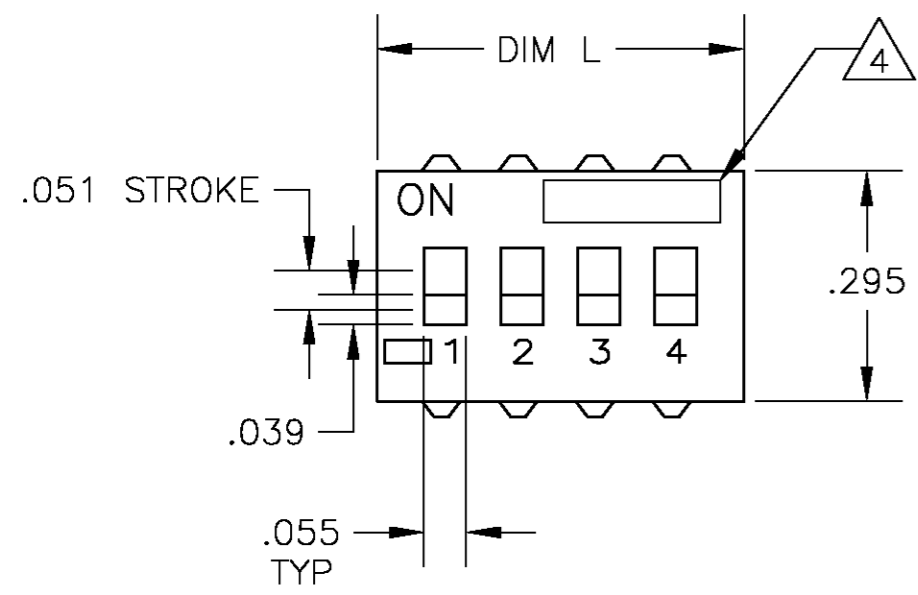
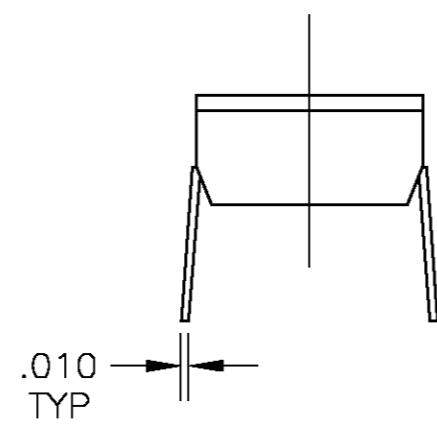
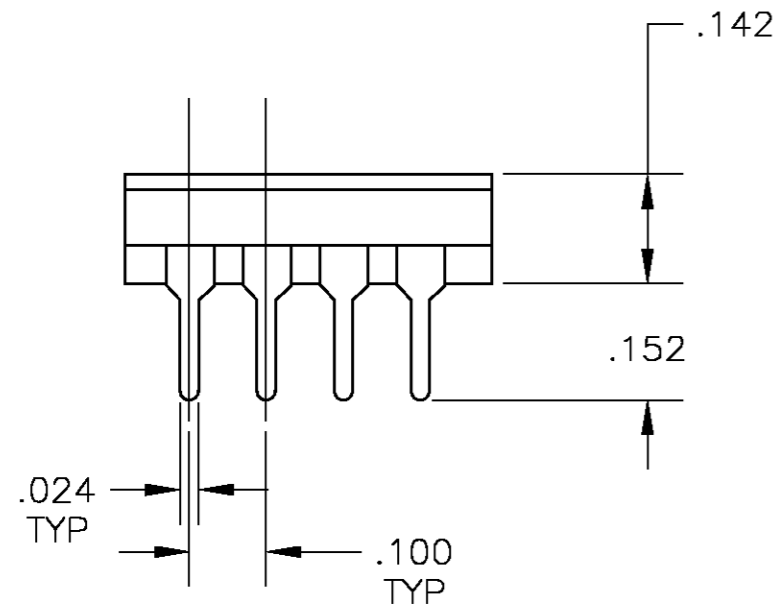


THIS DRAWING IS UNPUBLISHED. RELEASED FOR PUBLICATION
 © COPYRIGHT BY TYCO ELECTRONICS CORPORATION. ALL RIGHTS RESERVED.

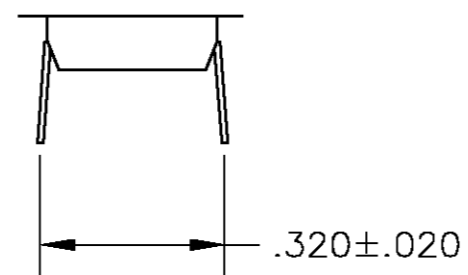
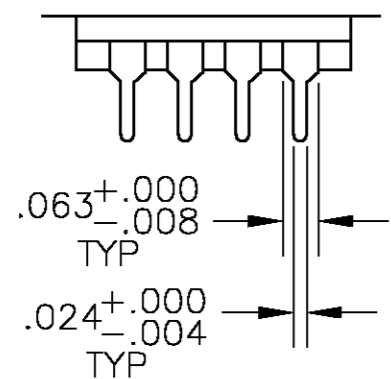
LOC	DIST	REVISIONS			
P	LTR	DESCRIPTION	DATE	DWN	APVD
D		EC 0G3C-0261-04	29JUN04	BSV	MSS



onlinecomponents.com



ADF



INSERT MOUNT

Specifications:

MATERIAL

BASE, PPS,(12 POS PA46) UL94V-0, BLACK
 COVER, PPS,(12 POS PA46) UL94V-0, BLACK
 ACTUATOR, PA6T,(12 POS PBT) UL94V-0, WHITE
 FIXED CONTACT/TERMINAL, CU ALLOY, PLATE TIN(90%)LEAD(10%)OVER COPPER
 MOVING CONTACT, CU ALLOY, PLATE-GOLD FLASH/NICKEL

ELECTRICAL

MAX CONTACT RATING SWITCHING, 100MILLIAMP @ 24 VDC
 MIN CONTACT RATING SWITCHING, .1MICROAMP @ 1 MILLIVOLT
 MAX CONTACT NON-SWITCHING, 1AMP @ 5 VDC
 INITIAL CONTACT RESISTANCE, 50 MILLIOHMS MAX.
 CONTACT RESISTANCE (AFTER ENVIRONMENTAL TEST), 100 MILLIOHMS
 CONTACT RESISTANCE (AFTER GAS TEST), 300 MILLIOHMS
 INSULATION RESISTANCE, 1,000 MEGOHMS MIN. @ 100 VDC
 DIELECTRIC STRENGTH, 500 VAC RMS @ SEA LEVEL
 LIFE EXPECTANCY, 1,000 CYCLES

MECHANICAL

OPERATING FORCE, LESS THAN 800 GRAMS
 CONTACT PRESSURE, 280,000 PSI

ENVIRONMENTAL

OPERATING TEMPERATURE, -30 TO +85 DEGREES C
 STORAGE TEMPERATURE, -45 TO + 100 DEGREES C
 CLEANING, AQUEOUS OR SOLVENT
 SOLDER HEAT RESISTANCE, 245 +/-5 DEGREES C FOR 30 SECONDS,
 MOUNTED ON .060 PCB, SWITCH "OFF".

- SWITCHES TO BE RECEIVED IN THE "OFF" POSITION AND PACKAGED IN CLEAR TUBES TO ACCOMMODATE AUTO-INSERTION.
- TOP SURFACE TO BE CLEARLY MARKED AS SHOWN
- SWITCHES TO BE BLACK WITH WHITE ACTUATORS AND MARKINGS.
- MARK PER 202-37.
- RECOMMENDED SOLDER PROCESS, WAVE SOLDER: BATH TEMPERATURE OF 245 +/-5 DEGREES C FOR 5 SECONDS. SWITCH POSITION SHOULD BE IN THE OFF SETTING.

THIS DRAWING IS A CONTROLLED DOCUMENT.		DWN M.BINNER 19AUG03	Tyco Electronics Corporation Harrisburg, Pa 17105-3808	
DIMENSIONS: INCHES		CHK M.SARVER 26AUG03	NAME DIP SWITCH, ADE THRU HOLE	
TOLERANCES UNLESS OTHERWISE SPECIFIED:		APVD M.SARVER 26AUG03	SIZE A2	
0 PLC ± -		PRODUCT SPEC	CAGE CODE 00779	DRAWING NO 4-1437586-2
1 PLC ± -		APPLICATION SPEC	RESTRICTED TO	
2 PLC ± -		WEIGHT	SCALE 4:1	
3 PLC ± .012		CUSTOMER DRAWING	SHEET 1 OF 2	
4 PLC ± -		REV D		
ANGLES ± -				
FINISH				

THIS DRAWING IS UNPUBLISHED. RELEASED FOR PUBLICATION
 © COPYRIGHT BY TYCO ELECTRONICS CORPORATION. ALL RIGHTS RESERVED.

LOC	DIST	REVISIONS			
P	LTR	DESCRIPTION	DATE	DWN	APVD
AD	00	SEE SHEET 1	-	-	-

onlinecomponents.com
THE ONLINE SOURCE FOR ELECTRONIC COMPONENTS

Old T&B P/N	Tape seal	Dim L	Poles	TycoP/N
ADF12T	YES	1.28	12	1571336-1
ADF10T	YES	1.078	10	1437587-7
ADF10	NO	1.078	10	1437587-1
ADF09	NO	0.978	9	9-1437586-6
ADF08T	YES	0.878	8	9-1437586-5
ADF08	NO	0.878	8	8-1437586-6
ADF07T	YES	0.778	7	8-1437586-5
ADF07	NO	0.778	7	8-1437586-1
ADF06T	YES	0.678	6	8-1437586-0
ADF06	NO	0.678	6	7-1437586-1
ADF05T	YES	0.578	5	7-1437586-0
ADF05	NO	0.578	5	6-1437586-5
ADF04T	YES	0.478	4	6-1437586-4
ADF04	NO	0.478	4	5-1437586-7
ADF03T	YES	0.378	3	5-1437586-6
ADF03	NO	0.378	3	5-1437586-1
ADF02T	YES	0.278	2	5-1437586-0
ADF02	NO	0.278	2	4-1437586-2

THIS DRAWING IS A CONTROLLED DOCUMENT.		DWN M.BINNER 19AUG03	Tyco Electronics Corporation Harrisburg, Pa 17105-3808	
DIMENSIONS: INCHES		CHK M.SARVER 26AUG03	NAME DIP SWITCH, ADE THRU HOLE	
TOLERANCES UNLESS OTHERWISE SPECIFIED: 0 PLC ± - 1 PLC ± - 2 PLC ± - 3 PLC ± .012 4 PLC ± - ANGLES ± -		APVD M.SARVER 26AUG03	RESTRICTED TO	
MATERIAL		PRODUCT SPEC	SIZE A2	CAGE CODE 00779
FINISH		APPLICATION SPEC	DRAWING NO 4-1437586-2	
		WEIGHT	SCALE 1:1	
		CUSTOMER DRAWING	SHEET 2 OF 2	
			REV D	