

MICRO SWITCH

FREEPORT ILLINOIS, U.S.A
A DIVISION OF HONEYWELL

FED. MFG. CODE 91929

ACTUATOR-SWITCH

CATALOG LISTING

ADD 1721R21

ADD1721R21

M

DRAWING NUMBER

6

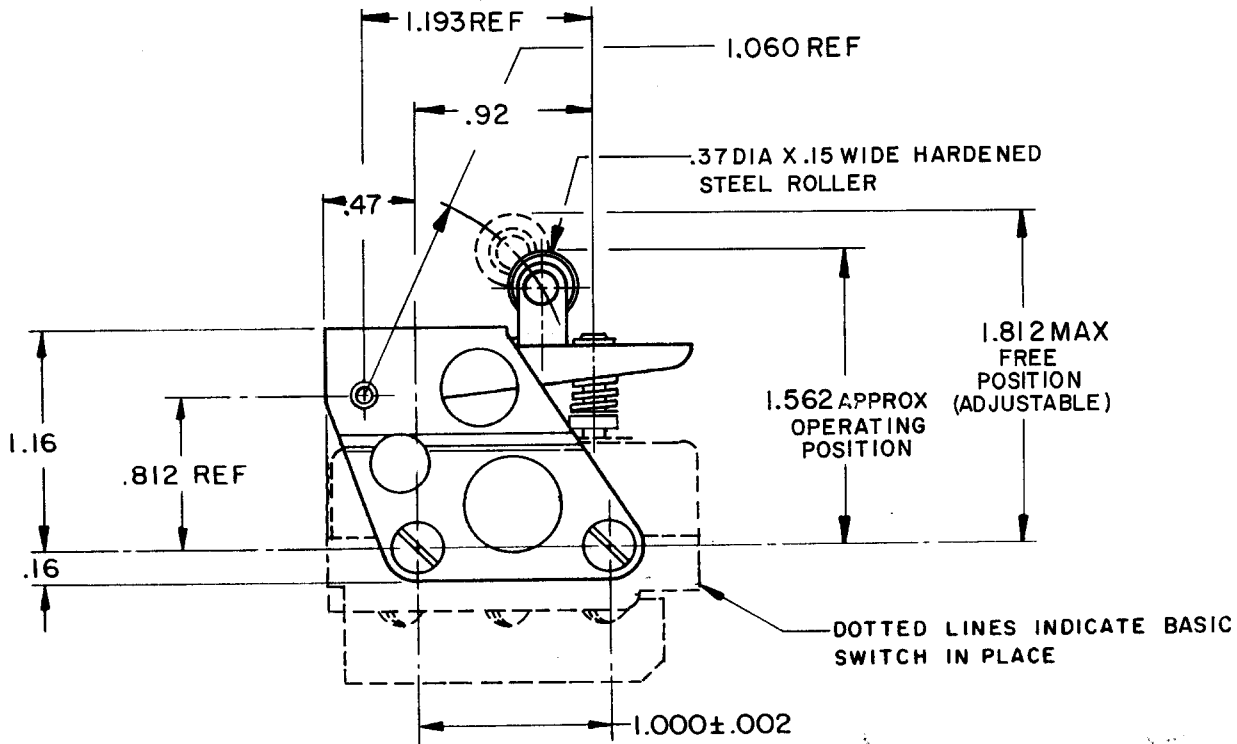
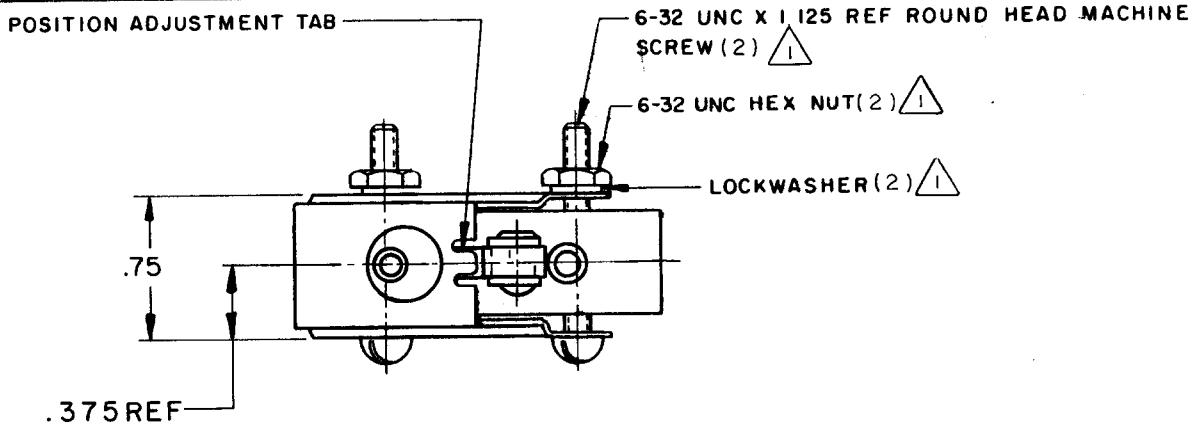
ISSUE

CHECK

REVISIONS

A	CO44130	SJS	24 APR 78
B	CO 46317	OB'S	4 SEP 78
C	PR-8421	REIN	16 JAN 80
D	CO 66944	WJC	9 JAN 91
E	CO 79303	SAD	4 MAR 95

REPLACES RELEASE NO. PR-3928-T



NOTE - FURNISHED UNASSEMBLED

THIS DRAWING COVERS A PROPRIETARY ITEM AND IS THE PROPERTY OF MICRO SWITCH, A DIVISION OF HONEYWELL. THIS DRAWING IS NOT TO BE COPIED OR USED WITHOUT THE APPROVAL OF MICRO SWITCH.

CHARACTERISTICS WITH DT-2R-A7 SWITCH INSTALLED

OPERATING FORCE ----- 3 1/4 LB MAX
RELEASE FORCE ----- 1/4 LB MIN
DIFFERENTIAL TRAVEL ----- .070 MAX
OVERTRAVEL ----- .175 APPROX

ELECTRICAL DATA

CONTACT ARRANGEMENT

SCALE FULL

DO NOT SCALE PRINT

UNLESS OTHERWISE NOTED DIMENSIONS ARE IN INCHES
TOLERANCES ARE

ONE PLACE (.0) ± .030
TWO PLACE (.00) ± .015
THREE PLACE (.000) ± .005
ANGLES ±

WEIGHT .080 LB MAX

FO-52848

DRAWN

BEN 26 FEB 74 CHECK LSD 27 FEB 74 CHECK