

# MICRO SWITCH

A DIVISION OF MINNEAPOLIS-HONEYWELL REGULATOR COMPANY

FREDPORT, MINNESOTA

FED. MFR. CODE 91929

# ACTUATOR - SWITCH

CATALOG LISTING

AD5721

(M)AD5721  
ISSUE 4

AD5721  
M  
DRAWING NUMBER  
8  
ISSUE  
X8

REVISIONS  
A CO 8520  
R. L. Z.  
28 SEPT. 56  
B 0021727  
M B F  
26 AUG 66  
C 0044130  
S J S  
25 APR 78  
D C079303  
D A W  
7 MAR 95

REPLACES

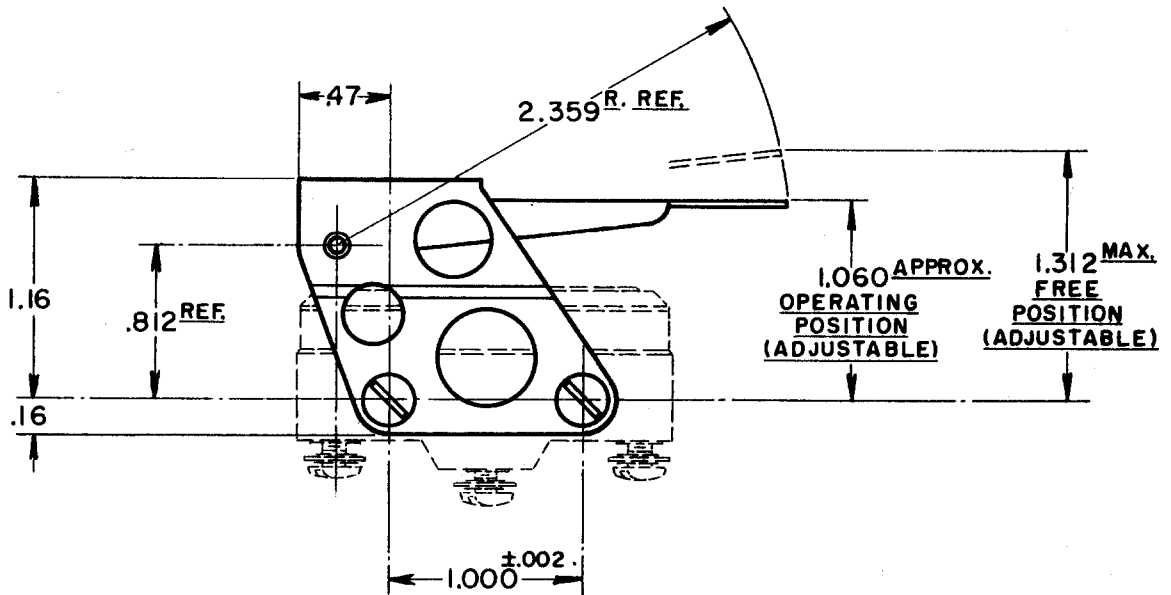
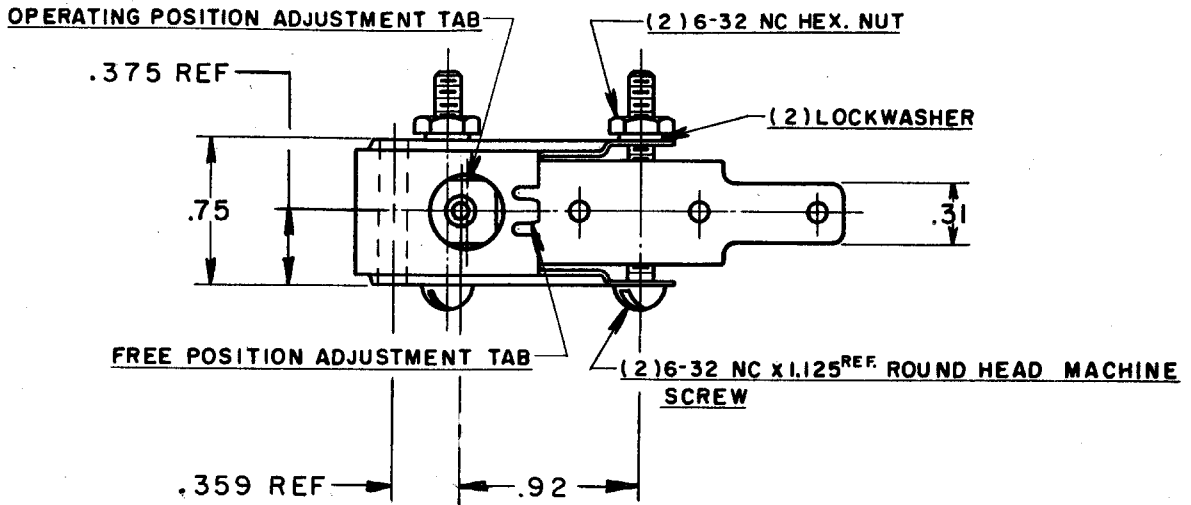
RELEASE NO.

CHECK 50 OCT. 56

CHECK 1 OCT. 56

CHECK 11 OCT. 56

CHECK 28 SEPT. 56



**NOTE-**

1- SCREWS, NUTS, AND LOCKWASHERS FURNISHED UNASSEMBLED.

THIS DRAWING COVERS A PROPRIETARY ITEM AND IS THE PROPERTY OF MICRO SWITCH, A DIVISION OF HONEYWELL. THIS DRAWING IS NOT TO BE COPIED OR USED WITHOUT THE APPROVAL OF MICRO SWITCH.

**CHARACTERISTICS**

OVERTRAVEL ----- .531 APPROX.

**ELECTRICAL DATA**

CONTACT ARRANGEMENT

BREAK DISTANCE

**SCALE - FULL**

DO NOT SCALE PRINT

UNLESS OTHERWISE SPECIFIED  
DIMENSIONS ARE IN INCHES  
**TOLERANCES ARE:**

ONE PLACE	(.0)	±.030
TWO PLACE	(.00)	±.015
THREE PLACE	(.000)	±.005
ANGLES		±

WEIGHT .064 LB.