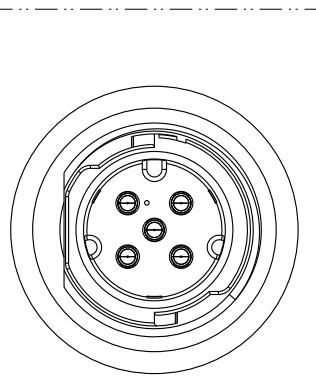
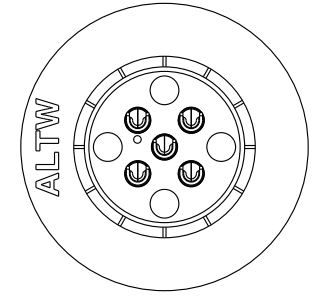
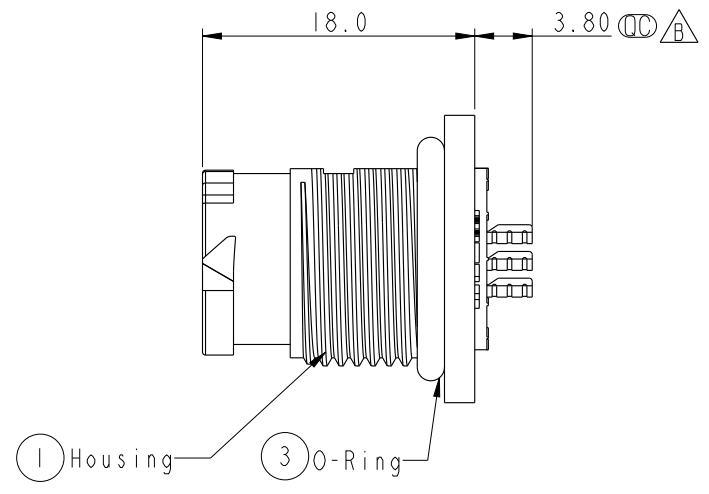
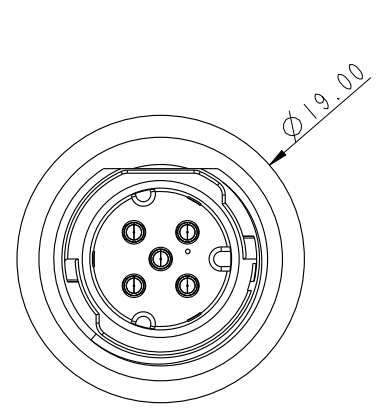


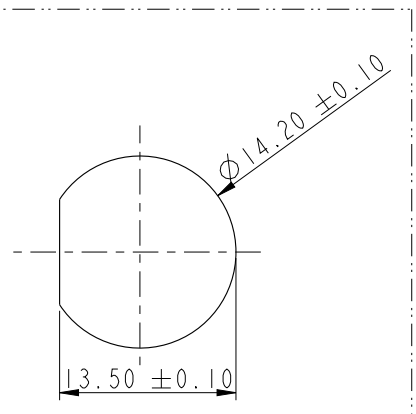
THIS DOCUMENT IS SUBJECT TO CHANGE WITHOUT NOTICE. IT IS CONFIDENTIAL AND A PROPERTY OF Amphenol LTW. DISCLOSURE TO THIRD PARTY HAS TO BE AUTHORIZED BY Amphenol LTW.

REV.	ECN NO.	DATE	SIGN	DESCRIPTION
B	LEN1860137	2018-06-11	Ouyang	Change the lettering
C	LE31870037	2018-07-09	Ouyang	Update specifications
D		2018-07-23	Ouyang	Update specifications

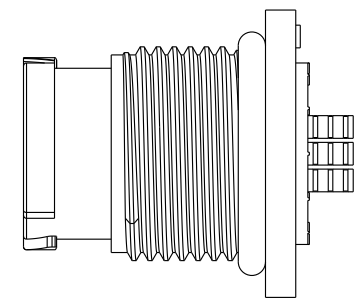
ALTW
CONFIDENTIAL
 2018-07-23
R&D DEPT.



Pin Assignments
Front View



Recommended Panel Cut-out



- Note: \triangle
- * CC Important Dimension To Check.
 - * Waterproof Rate: IP68
 - * Flame Class: UL94V-0 (UV Resistance)
 - * Housing: Nylon+GF, Black
 - * Male Pin: Copper Alloy, Gold Plated
 - * Nut: Nylon+GF, Black
 - * Gasket: Silicone, Gray
 - * Rated Current: 2~5Pin 5A(300V)
6~8Pin 2A(30V)
 - * Use Without Waterproof Cap
Panel Thickness Max: 4.0mm
 - * Use With Waterproof Cap
Panel Thickness Max: 3.0mm

UNIT:mm		
TOLERANCE		
$\pm 0.5\text{mm}$		

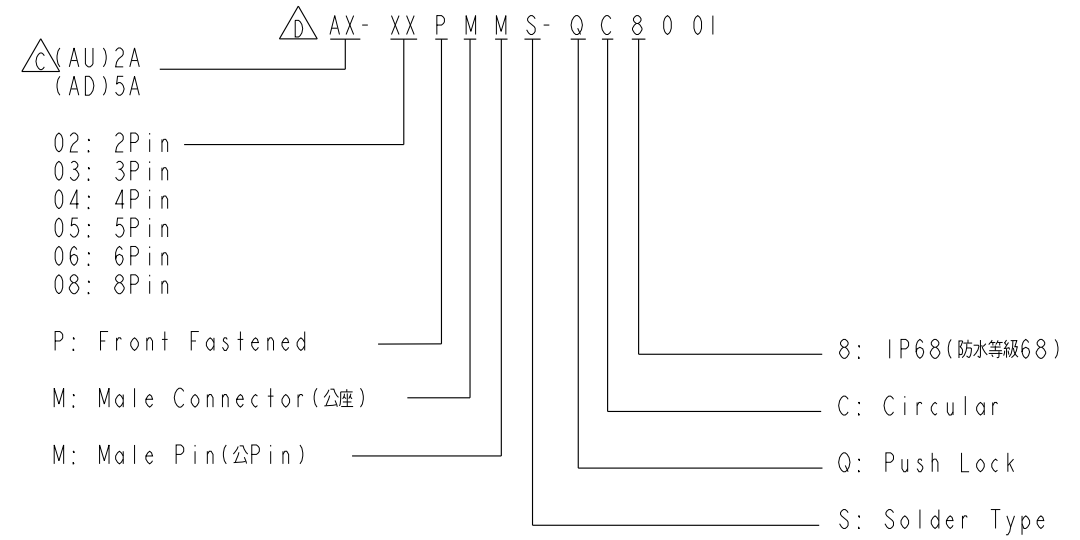
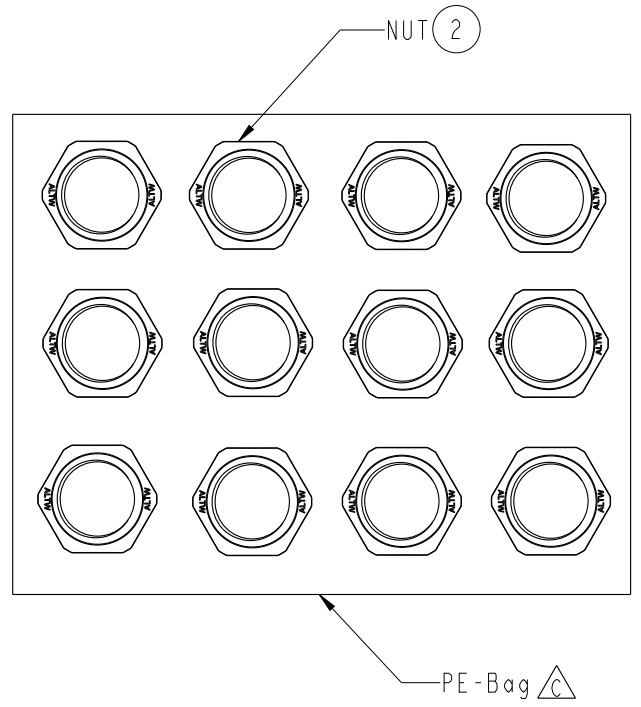
TITLE X Lok A-Size Receptacle Front Fastened M Conn M Pin			
SCALE 1:1	SIZE A4	SHEET 1 OF 2	
REV. D	WC-REV. .0	CC : Inspection item	

Amphenol LTW
 安費諾亮泰企業股份有限公司

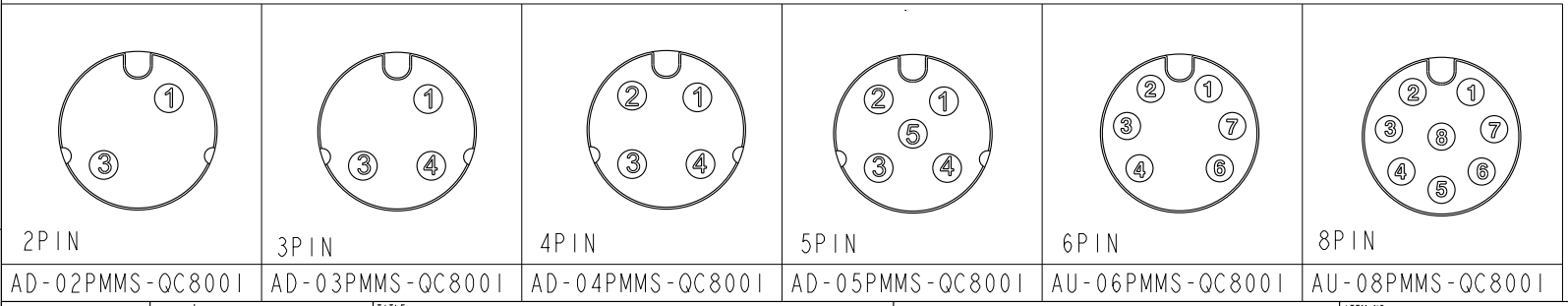
ITEM NO. AX-XXPMMS-OC8001	DRAWN BY Ouyang	DATE 2018-07-23
DWG NO. AX-XXPMMS-OC8001	CHECKED BY Mafei	DATE 2018-07-23
CUSTOMER ALTW	APPROVED BY Jerry	DATE 2018-07-23

THIS DOCUMENT IS SUBJECT TO CHANGE WITHOUT NOTICE. IT IS CONFIDENTIAL AND A PROPERTY OF AMPHENOL LTW. DISCLOSURE TO THIRD PARTY HAS TO BE AUTHORIZED BY AMPHENOL LTW.

REV.	ECN NO.	DATE	SIGN	DESCRIPTION



△



UNIT:mm
 TOLERANCE
 ±0.5mm

TITLE X Lok A-Size Receptacle
 Front Fastened M Conn M Pin
 SCALE 1:1 SIZE A4 SHEET 2 OF 2
 REV. D WC-REV. .0 Inspection item

Amphenol LTW
 安費諾亮泰企業股份有限公司

ITEM NO AX-XXPMMS-QC8001
 DWG NO AX-XXPMMS-QC8001
 CUSTOMER ALTW

DRAWN BY Ouyang
 CHECKED BY Mafei
 APPROVED BY Jerry

DATE 2018-07-09
 DATE 2018-07-09
 DATE 2018-07-09