



Composite Backshells

Lightweight, Economical Method of Providing Strain Relief with Option for Environmental Sealing to a Cable Assembly

Composite Backshells

Lightweight, Economical Method of Providing Strain Relief with Option for Environmental Sealing to a Cable Assembly

LIGHTWEIGHT

- Composite backshell designed to meet the needs of today's avionic designs

RELIABLE

- Provides strain relief by using a mechanical tie down
- Industry accepted method of securing cables
- Locking teeth prevent rotation and provide for a secure fit

FLEXIBLE

- Multiple plating configurations
- Simple design allows for easy and economical assembly

APPLICATIONS/MARKETS

- Avionics
- Aerospace
- Space

The composite backshell is available in straight and 90 degree exits. It provides a lightweight solution to provide strain relief. The composite backshell can be used with MIL-C-38999 Series III connectors. The product offers sealing options with the optional inserts.

MATERIAL

- **Coupling Nut:** Composite
- **Adapter Body:** Composite
- **Secondary Grommet:** Silicone Elastomer

RECOMMENDED TORQUE

- **Shell Sizes A-E:** 20-30 In./Lbs.
- **Shell Sizes F-J:** 35-45 In./Lbs.

For part number breakdown, see tables.
Consult TE for availability.

All dimensions are in inches unless otherwise specified. Thread callouts are metric.



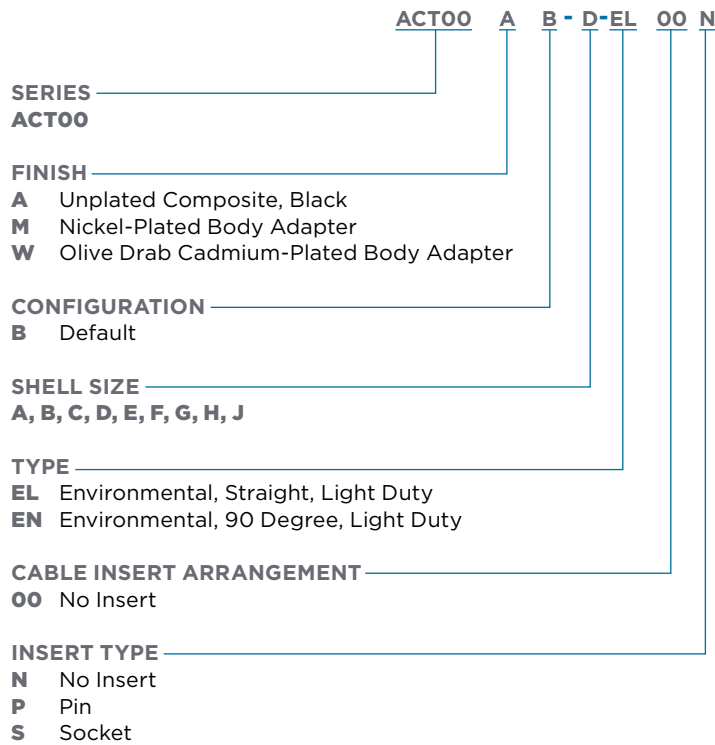
TE Components . . . TE Technology . . . TE Know-how . . .

AMP | AGASTAT | CII | HARTMAN | KILOVAC | MICRODOT | NANONICS | POLAMCO | Raychem
SEACON | Rochester | DEUTSCH

Empower Engineers to Solve Problems, Moving the World Forward.



Typical Part Numbering System



Cable Code	Insert Arrangement	Cable Code	Insert Arrangement
38	09-35	61	23-21
39	09-98	62	23-35
40	11-05	63	23-53
41	11-35	64	23-55
42	11-99	65	25-04
43	13-04	66	25-19
44	13-35	67	25-20
45	13-98	68	25-24
46	15-05	69	25-29
47	15-18	70	25-35
48	15-35	71	25-61
49	15-97	92	11-98
50	17-06	93	15-19
51	17-08	94	13-08
52	17-26	95	17-99
53	17-35	96	21-39
54	19-11	97	25-43
55	19-32	98	15-23
56	19-35	99	17-19
57	21-11	100	15-26
58	21-16		
59	21-35		
60	21-41		

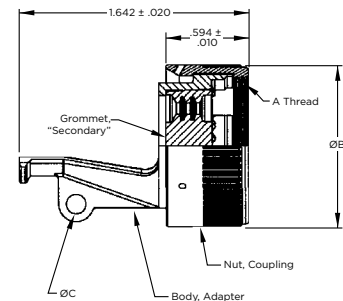
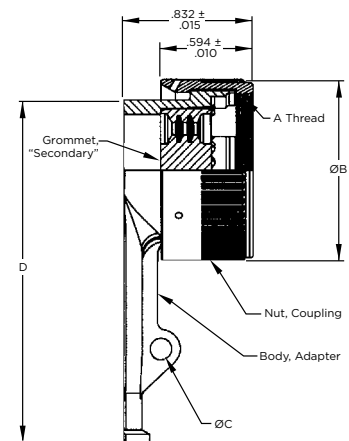
Part Numbers

90° One Arm Style Light Duty

DEUTSCH Part Number ***	Shell Size	A Thread	B Ø ± .015	C Ø ± .010	D Ø ± .020
ACT00*B-A-EN***	A	M12X1.0-6H 0.100R	.650	.140	1.948
ACT00*B-B-EN***	B	M15X1.0-6H 0.100R	.775	.140	2.010
ACT00*B-C-EN***	C	M18X1.0-6H 0.100R	.905	.140	2.075
ACT00*B-D-EN***	D	M22X1.0-6H 0.100R	1.030	.140	2.135
ACT00*B-E-EN***	E	M25X1.0-6H 0.100R	1.160	.140	2.198
ACT00*B-F-EN***	F	M28X1.0-6H 0.100R	1.270	.140	2.258
ACT00*B-G-EN***	G	M31X1.0-6H 0.100R	1.400	.140	2.320
ACT00*B-H-EN***	H	M34X1.0-6H 0.100R	1.525	.140	2.383
ACT00*B-J-EN***	J	M37X1.0-6H 0.100R	1.655	.140	2.445

Straight One Arm Style Light Duty

DEUTSCH Part Number ***	Shell Size	A Thread	B Ø ± .015	C Ø ± .010
ACT00*B-A-EL***	A	M12X1.0-6H 0.100R	.650	.120
ACT00*B-B-EL***	B	M15X1.0-6H 0.100R	.775	.120
ACT00*B-C-EL***	C	M18X1.0-6H 0.100R	.905	.120
ACT00*B-D-EL***	D	M22X1.0-6H 0.100R	1.030	.120
ACT00*B-E-EL***	E	M25X1.0-6H 0.100R	1.160	.140
ACT00*B-F-EL***	F	M28X1.0-6H 0.100R	1.270	.140
ACT00*B-G-EL***	G	M31X1.0-6H 0.100R	1.400	.140
ACT00*B-H-EL***	H	M34X1.0-6H 0.100R	1.525	.140
ACT00*B-J-EL***	J	M37X1.0-6H 0.100R	1.655	.140



LET'S CONNECT

We make it easy to connect with our experts and are ready to provide all the support you need. Just call your local support number or visit www.te.com/industrial to chat with a Product Information Specialist.

Technical Support

te.com/support-center

North America	+1 800 522 6752	Asia Pacific	+86 400 820 6015
North America (Toll)	+1 717 986 7777	Japan	+81 044 844 8180
EMEA/South Africa	+800 0440 5100	Australia	+61 2 9554 2695
EMEA (Toll)	+31 73 624 6999	New Zealand	+64 (0) 9 634 4580
India (Toll-Free)	+800 440 5100		

te.com/composite-backshells

AMP, AGASTAT, CII, DEUTSCH, HARTMAN, KILOVAC, MICRODOT, NANONICS, POLAMCO, Raychem, SEACON, TE, TE Connectivity and the TE connectivity (logo) are trademarks owned or licensed by TE Connectivity. Other products, logos, and company names mentioned herein may be trademarks of their respective owners.

While TE Connectivity (TE) has made every reasonable effort to ensure the accuracy of the information herein, nothing herein constitutes any guarantee that such information is error-free, or any other representation, warranty or guarantee that the information is accurate, correct, reliable or current. The TE entity issuing this publication reserves the right to make any adjustments to the information contained herein at any time without notice. All implied warranties regarding the information contained herein, including, but not limited to, any implied warranties of merchantability or fitness for a particular purpose are expressly disclaimed. The dimensions herein are for reference purposes only and are subject to change without notice. Specifications are subject to change without notice.

Consult TE for the latest dimensions and design specifications.

© 2019 TE Connectivity All Rights Reserved.

2362741-1 11/19