

Type ACBP4-PM

Auto Reset Circuit Breaker

Automotive Type I

Standard Mini Blade



www.optifuse.com (619) 593-5050

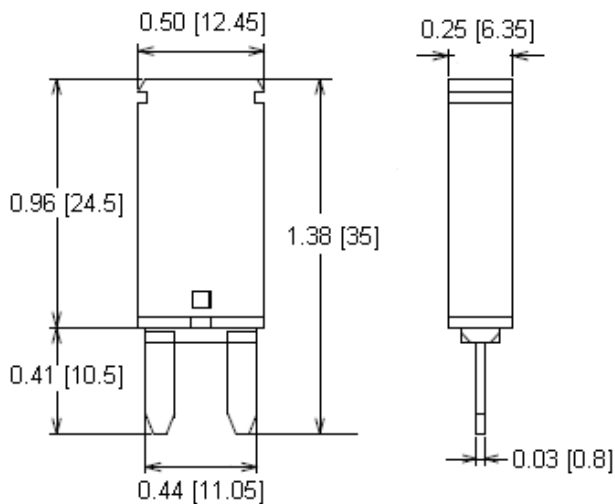
Specifications:

Mini Blade Automatic Reset Type Circuit Breaker
 Voltage: 14VDC
 Amperage: 5A, 7.5A, 10A, 15A, 20A, 25A, 30A
 Materials: Thermoplastic – (UL Rated 94-V-0)
 Terminals: Tin plated Copper Alloy
 Testing Standard: SAE J553 Type I
 Cover is color coded to Amperage Ratings
 Operating Temperature: -40° C ~ 85° C

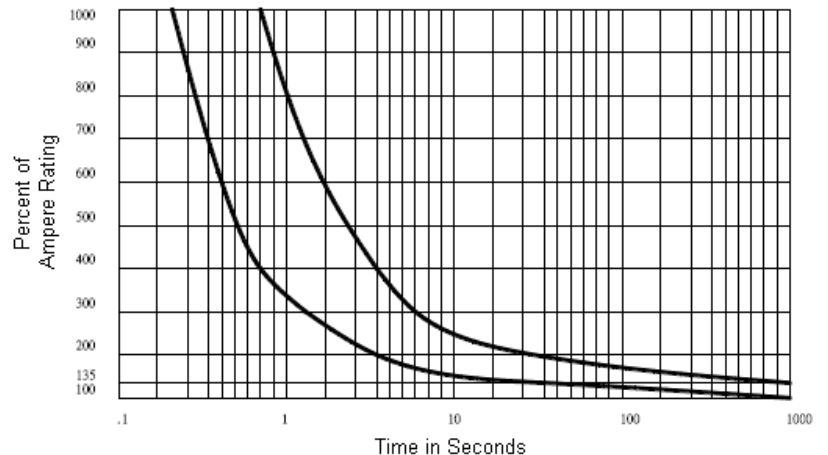
Part Number	Amperage	Body Color
ACBP4-PM-5A	5A	Tan
ACBP4-PM-7.5A	7.5A	Brown
ACBP4-PM-10A	10A	Red
ACBP4-PM-15A	15A	Blue
ACBP4-PM-20A	20A	Yellow
ACBP4-PM-25A	25A	White
ACBP4-PM-30A	30A	Green

Ampere Rated	Interrupt Rating
5A-10A version	150A @ 14 VDC
15A version	225A @ 14 VDC
20A version	300A @ 14 VDC
25A-30A version	450A @ 14 VDC

Mechanical Dimensions: Inches [mm]



Part number: ACBP4-PM
 Time Current Curves



Warning:



-Operation beyond the specified maximum ratings or improper use may result in damage and possible electrical arcing and/or flame.
 -Device are intended for occasional overcurrent protection. Application for repeated overcurrent condition and/or prolonged trip are not anticipated.
 -Avoid contact of device with chemical solvent. Prolonged contact will damage the device performance.
 -Not intended for submersible water applications.