

Type ACB-12-N / ACB-24-N

Auto Reset Circuit Breaker

Automotive Type I

Metal Without Bracket



www.optifuse.com

(619) 593-5050

Specifications:

Auto Reset Type Circuit Breaker

Voltage: 12V or 24V

Amperage: 10A, 15A, 20A, 25A, 30A, 35A, 40A, 50A

Terminals: Battery – Copper Plate (0.58”), Auxiliary – Zinc Plate (0.66”)

Conforms to American National Standard SAE J553

Body: Steel Case

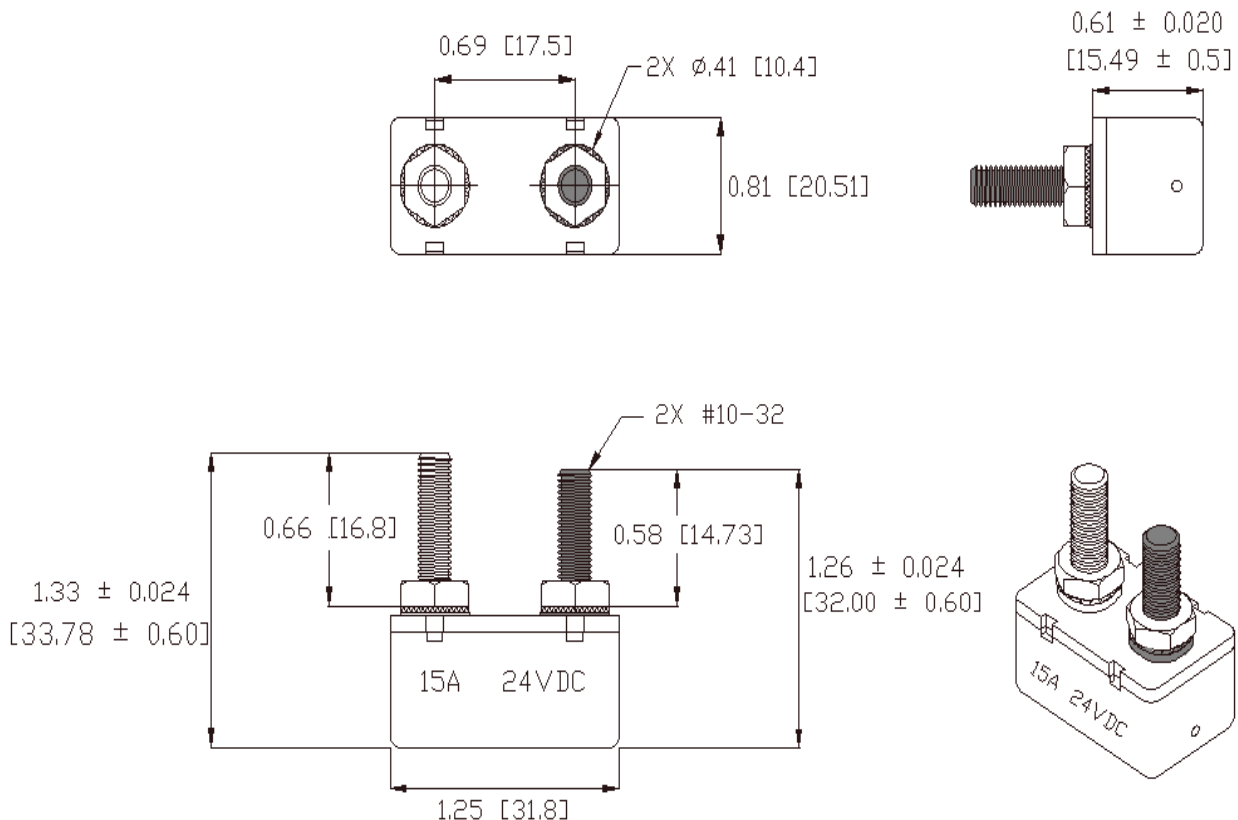
Operating Temperature: -10° F ~ 150° F

Storage Temperature: -20° F ~ 200° F

Current Rating:

Rating	Open Time
100% ± 1.5%	> 30 Min
135% ± 1.5%	< 30 Min
200% ± 1.5%	< 1 Min

Mechanical Dimensions: Inches [mm]



	<p>Warning: -Operation beyond the specified maximum ratings or improper use may result in damage and possible electrical arcing and/or flame.</p>
	<p>-Device are intended for occasional overcurrent protection. Application for repeated overcurrent condition and/or prolonged trip are not anticipated.</p> <p>-Avoid contact of device with chemical solvent. Prolonged contact will damage the device performance.</p>

Note: All specifications subject to change without notice.

Rev D 07/2012 - Page: 1/1
Code Y01-02D