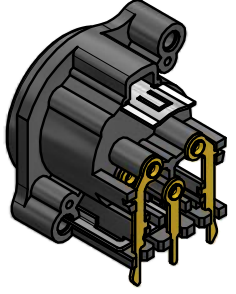
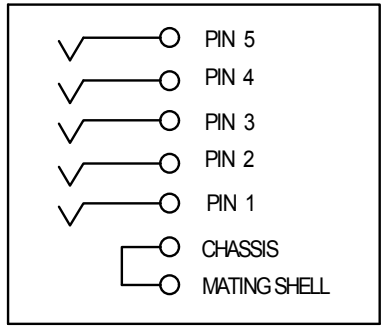
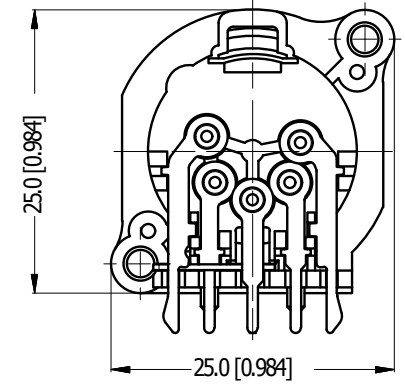
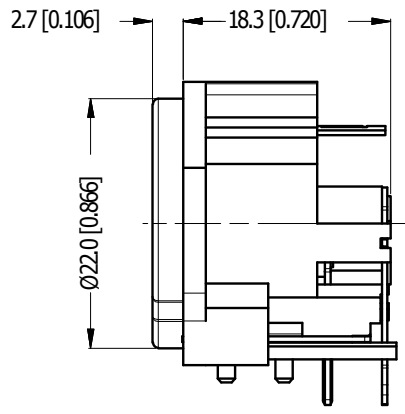
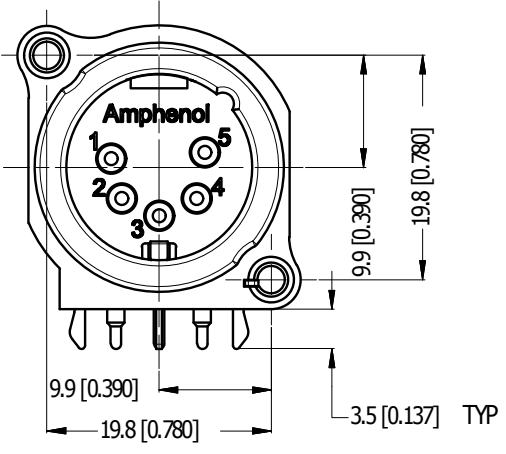


LEGEND = KEY PRODUCT CHARACTERISTICS

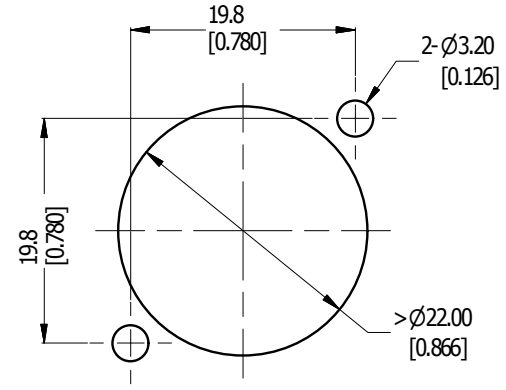
REV	DESCRIPTION	DATE	BY	ECN
0	FIRST ISSUE	20-08-08	MH	---
1	ADD -B TO PN	26-08-15	MH	---
2	CHANGE MATERIAL FROM UL94HB TO UL94V-0	01-04-20	MH	9593



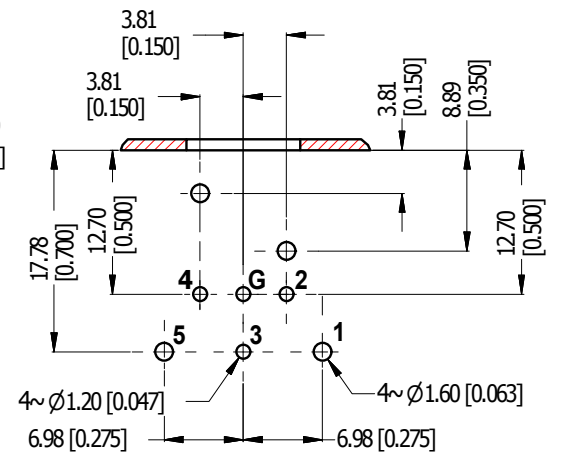
3D VIEW (1:1)



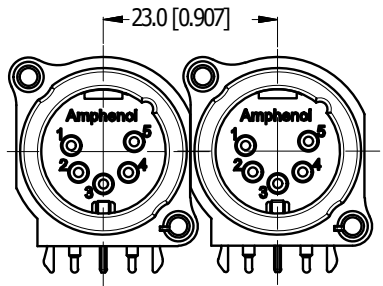
SCHMATIC CHART



PANEL CUT OUT  
REAR VIEW



PCB LAYOUT  
COMPONENT SIDE  
TOLERANCE: ± 0.05mm [.002"]



MIN MOUNTING PITCH  
(SCALE 1:1)

UNLESS OTHERWISE SPECIFIED TOLERANCE TO BE		THIS DOCUMENT IS THE PROPERTY OF AMPHENOL AUSTRALIA PTY. LTD. NO PART THEREOF MAY BE REPRODUCED AND USED WITHOUT THE PRIOR WRITTEN CONSENT OF THE OWNER			
LINEAR	ANGULAR	MATERIAL: SEE COMPONENT	DRN: M.H	DATE: 20-08-08	<b>Amphenol</b> Amphenol Australia Pty.Ltd, 22 Industry Blvd, Carrum Downs, VIC 3201
X ± 0.5	X° ± 1	FINISH: SEE COMPONENT	CKD: M.H	DATE: 01-04-20	
XX ± 0.2	XX° ± 30'	DO NOT SCALE	APP'D: P.M	DATE: 01-04-20	
XXX ± 0.1	XXX° ± 15'	DIMENSIONS IN MILLIMETRES	SCALE: 3:2	SIZE: A4	
BREAK ALL SHARP EDGES AND REMOVE ALL BURRS		THIRD ANGLE PROJECTION		TITLE: AC5MAH-AU-B HORIZONTAL MALE CUSTOMER DRAWING	PART No. AC5MAH-AU-B
DO NOT SCALE				DRAWING No. 55010444-000-2	SHEET 2/2