



Main

| | |
|---------------------------------------|---|
| Range of product | Phaseo Optimum |
| Product or component type | Safety and isolation transformer |
| Rated power in VA | 2500 VA |
| Input voltage | 230 V AC single phase, terminal(s): N-L1 400 V AC phase to phase, terminal(s): L1-L2 |
| Output voltage | 230 V AC |
| Secondary winding | Single |
| Protective cover | Without |
| Ambient air temperature for operation | -20...50 °C |

Complementary

| | |
|------------------------------|--|
| Input voltage limits | 360...440 V 207...253 V |
| Network frequency limits | 47...63 Hz |
| Input voltage tolerance | +/- 15 V |
| Efficiency | 96 % |
| Power dissipation in W | 104.2 W |
| Output sustained overvoltage | 3 % (no load, hot state) |
| Voltage drop at rated load | 0 % |
| No load losses | 23.4 W |
| Short-circuit voltage | 0,0873 |
| Output protection type | Against overload, protection technology: external Against overvoltage, protection technology: external Against short-circuits, protection technology: external |
| Connections - terminals | Screw type terminals for input ground connection, connection capacity: 1 x 4 mm ² AWG 11 Screw type terminals for output connection, connection capacity: 2 x 4 mm ² AWG 11 Screw type terminals for input connection, connection capacity: 8 x 4 mm ² AWG 11 |
| Marking | CE |
| Fixing mode | By 4 screws, screw(s) Ø = 10 mm on horizontal panel with derating to 90 % |

Disclaimer: This documentation is not intended as a substitute for and is not to be used for determining suitability or reliability of these products for specific user applications

By 4 screws, screw(s) Ø = 10 mm on vertical panel, operating position: horizontal
By 4 screws, screw(s) Ø = 10 mm on vertical panel, operating position: vertical

| | |
|-----------------------------|---------|
| Operating altitude | 3000 m |
| Electrical insulation class | Class F |
| Product weight | 27.4 kg |

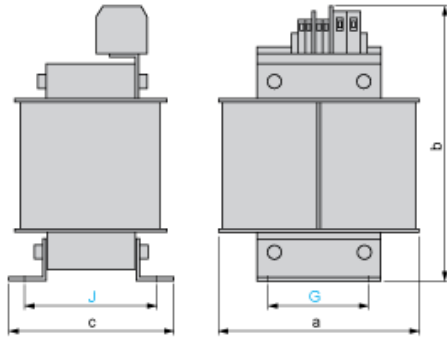
Environment

| | |
|-------------------------------------|--|
| Product certifications | UR EAC |
| Standards | UL 506 |
| IP degree of protection | IP20 |
| Environmental characteristic | EMC conforming to EN 62041 Safety conforming to EN 61558-1 Safety conforming to EN 61558-2-6 |
| Protective treatment | TC |
| Ambient air temperature for storage | -40...80 °C |
| Overvoltage category | Class I conforming to VDE 0106-1 |
| Dielectric strength | 2000 V between winding and ground 4000 V between primary and secondary |

Contractual warranty

| | |
|-----------------|-----------|
| Warranty period | 18 months |
|-----------------|-----------|

Dimensions



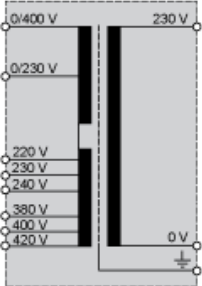
Dimensions in mm

| a | b | c | G | J | Ø |
|-----|-----|-----|-----|-----|----|
| 198 | 335 | 145 | 125 | 117 | 10 |

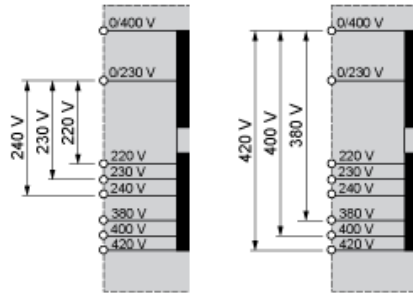
Dimensions in in.

| a | b | c | G | J | Ø |
|------|-------|------|------|------|------|
| 7.79 | 13.19 | 5.71 | 4.92 | 4.61 | 0.39 |

Internal Scheme



Primary Voltage Wiring



Secondary Voltage Wiring

